

## HM-SP650-MACRO



The interchangeable lens series is often used with handheld thermal cameras to expand the focal length of the original camera to different ranges, so as to obtain different FOVs and scene scopes. Compatible with SP40, SP40H, SP60, SP60H. Macro lenses like the HM-SP650-MACRO allow the close focus to capture sharp images of small objects with accurate measurements.

### ▪ Key Feature

- Min. Focus Distance up to 50mm
- Spatial Resolution (IFOV) up to 50  $\mu\text{m}/\text{pixel}$
- High Accuracy: Max ( $\pm 2^\circ\text{C}/3.6^\circ\text{F}$ ,  $\pm 2\%$ ), for object temperature between  $-20^\circ\text{C}$  ( $-4^\circ\text{F}$ ) to  $150^\circ\text{C}$  ( $302^\circ\text{F}$ )

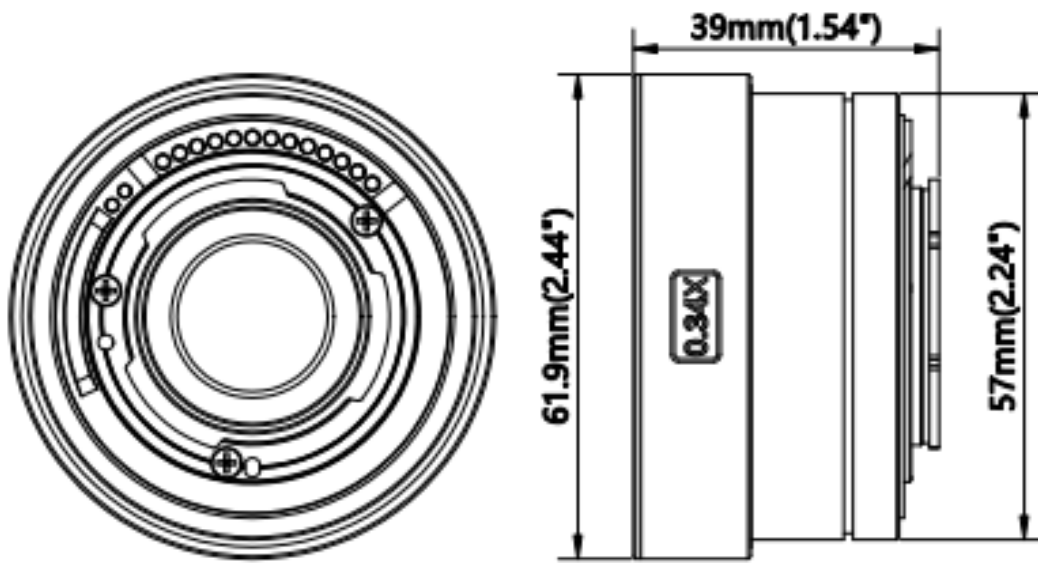
### ▪ Specification

Infrared Image	
Focal Length	18.8 mm (0.06 ft)
Field of View (FOV)	SP40/SP40H: 23.4 mm x 17.44 mm SP60/SP60H: 31.54 mm x 23.4 mm
Spatial Resolution (IFOV)	50 $\mu\text{m}/\text{pixel}$
Min. Focus Distance	50 mm
Measurement and Analysis	
Object Temperature Range	$-20^\circ\text{C}$ to $150^\circ\text{C}$ ( $-4^\circ\text{F}$ to $302^\circ\text{F}$ )
Accuracy	Max. ( $\pm 2^\circ\text{C}/3.6^\circ\text{F}$ , $\pm 2\%$ )
General	
Working Temperature Range	$-20^\circ\text{C}$ to $50^\circ\text{C}$ ( $-4^\circ\text{F}$ to $122^\circ\text{F}$ )
Weight	162 g (0.35 lb)
Dimension	39 mm x $\phi 61.9$ mm (1.54" x $\phi 2.44$ " )
Accessory	
Min. Target Size for Imaging	50 $\mu\text{m}$

### ▪ Available Model




HM-SP650-MACRO

▪ Dimension



Unit: mm (Inch)



 HIKMICRO Thermography  hikmicro\_thermography  HIKMICRO Thermography  HIKMICRO  info@hikmicrotech.com  <http://hikmicrotech.com/en>

© 2023 Hangzhou HIKMICRO Sensing Technology Co., Ltd. All Rights Reserved.  
Data subject to change without notice!