

HM-AHBR03 Desktop Stand Bracket



Adjustable Pole Mount and Stand for Electronics Testing with 1/4" Thread for HIKMICRO Thermal Imaging Camera

▪ Key Features

- Compatible with the following products: M Series

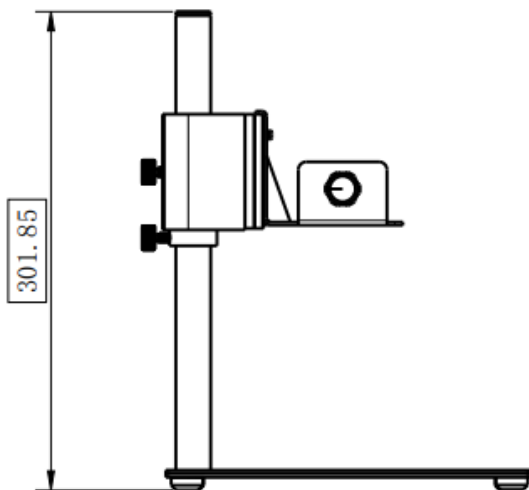
▪ Specification

General	
Material	Aluminum Alloy
Adjustment Range	Height Adjustment Range: 15mm to 180mm (0.59" to 7.09")
Max. Load Capacity	Max. 1 kg (2.20 lb)
Installation Method	¼"-20 UNC Thread
Weight	Gross Weight: 1.83 kg (4.03 lb) Net Weight: 1.32 kg (2.91 lb)
Package Size	340mm x 230mm x 180mm (13.39" x 9.06" x 7.09")

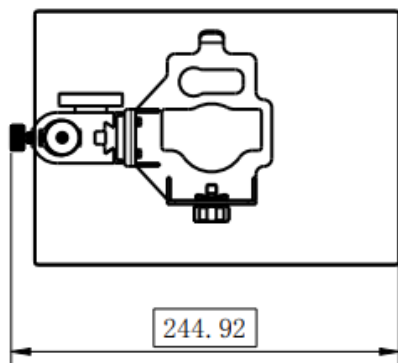
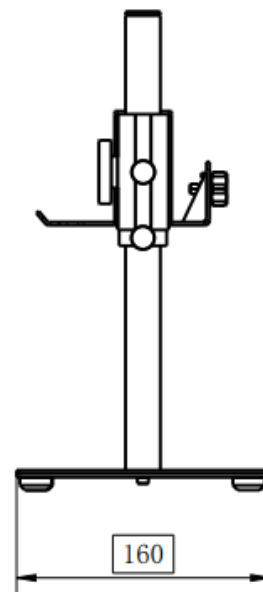
▪ Available Model

HM-AHBR03

▪ Dimension



比例 1:4



▪ Packaging



Baseboard(x1)



Adjustable Column(x1)



M4 Hexagonal
Wrench(x1)



Adjustable Clamp(x1)



Manuals(x1)

COMPLIANCE NOTICE: The thermal series products might be subject to export controls in various countries or regions, including without limitation, the United States, European Union, United Kingdom and/or other member countries of the Wassenaar Arrangement. Please consult your professional legal or compliance expert or local government authorities for any necessary export license requirements if you intend to transfer, export, re-export the thermal series products between different countries.



 HIKMICRO Thermography  hikmicro_thermography  HIKMICRO Thermography  HIKMICRO  info@hikmicrotech.com  http://hikmicrotech.com/en

© Hangzhou Microimage Software Co., Ltd. All Rights Reserved.

*Note: Specifications are subject to change without notice. For the current specs,
please go to www.hikmicrotech.com