



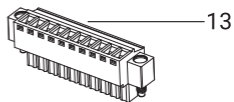
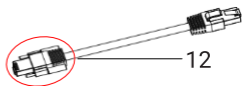
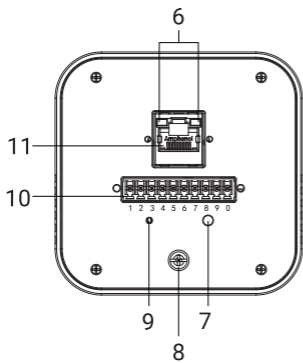
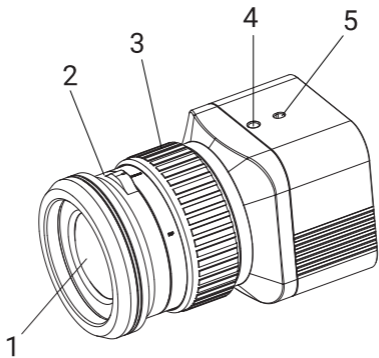
**Thermographic Network Box Camera  
Quick Start Guide**

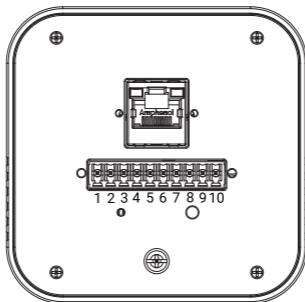
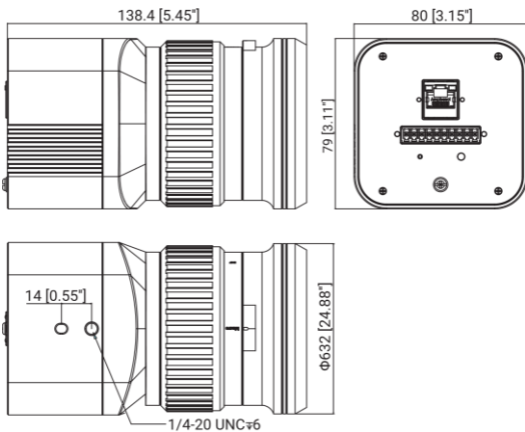
# Table of Contents

English.....	6
Français.....	18
Deutsch .....	31
Español.....	46
Italiano.....	59
Português .....	72
Nederlands .....	85
Čeština .....	98
Dansk .....	110
Magyar.....	122
Polish .....	135
Română .....	149
Slovenčina .....	162
Bahasa Indonesia.....	174

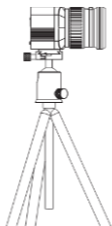
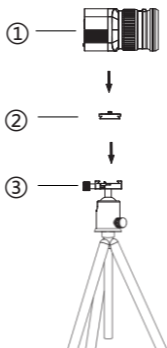
မြန်မာ	186
Türkçe	205
Русский	216
Українська	231
한국어	245
日本語	256
繁體中文	267

# A

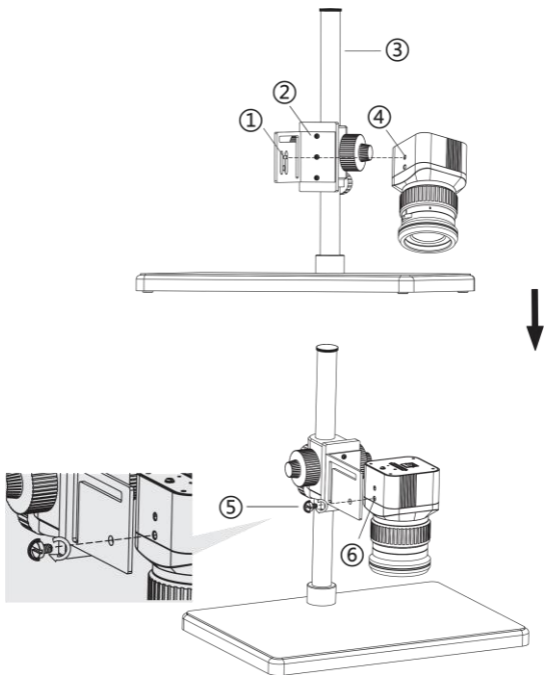


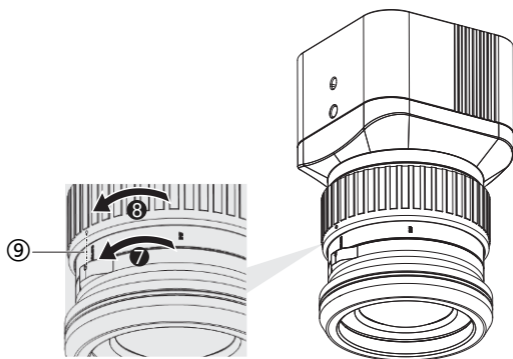
**B****C**

D



E





F





## 1 Overview

### 1.1 Brief Description

The thermographic network box camera (hereinafter referred to as “device”) integrates remote internet surveillance, video server and real time temperature measurement functions.

Remote transmission, preview, and configuration can be realized through browsers and clients. The device can be easily installed without structured cabling system.

It can be widely used in food production, daily chemical industry, PCBA testing, research, and other fields.

### 1.2 Features

The device has the following features:

- Macro mode.
- Thermal imaging.
- Multiple palettes.
- Calibration that ensures image uniformity and improves image details and effects.
- Powerful video compression algorithms that support high compression ratio at ultra-low bitrate.
- NAS that has speedy and reliable data-transfer performance.
- Temperature threshold alarm and other temperature measurement functions that can be analyzed on the client.
- TCP/IP, HTTP and other protocols.
- Remote upgrade and maintenance.

### 1.3 Component & Interface (Page 1 – A)

The appearance is for reference only. The actual device prevails.

No.	Component & Interface	Description
1	Thermal Lens	View the thermal image.
2	Mode Dial	Switch the device to macro mode or normal mode.
3	Focus Wheel	Adjust focal length.

4	1/4-20 UNC Thread Hole	Install screws.
5	Locating Hole	Help to align the device to the position pin on the adapter.
6	Network Indicators	<ul style="list-style-type: none"> <li>● Flash: Transmit network data.</li> <li>● Solid: The network is connected without data transmission.</li> </ul>
7	Reset Button	Press for 10s and release the button, and the device will restore to factory settings.
8	Grounding Screw	Connect to grounding terminal to ensure electrical safety.
9	Power Indicator	<ul style="list-style-type: none"> <li>● Solid Green: Operating.</li> <li>● Solid Red: System is operating.</li> </ul>
10	Terminal Socket	Contain 10 pin connectors.
11	Network Interface	RJ-45, network communication
12	Network Cable	When plugging in the network cable in the package, tighten the screws on the cable to secure it.
13	Terminal Block	Insert the terminal block into the terminal socket, and join the wires with reference

		to the pin definition described in the following table.
--	--	---

## 1.4 Pin Definition (Page 2 – B)


No.	Signal	Description
1	Power	12V DC power input. Please connect positive and negative terminals correctly.  *After installing the device, you can use the adapter in the package to charge the device.
2	GND	
3	RS-232_RX	RS-232 serial communication, for device debugging.
4	RS-232_TX	
5	ALARM_IN	1 Alarm input; 2 Alarm outputs.
6	ALARM_OUTA	
7	ALARM_OUTB	
8	RS485-	RS-485 serial port communication interface.
9	RS485+	
10	CVBS	Analog video output.

## 2 Activate and Access Network Camera

Visit [www.hikmicrotech.com](http://www.hikmicrotech.com) to download and install HIKMICRO Studio. Refer to the user manual of the device for detailed operation.

## 3 Installation

Read the instructions in this section before installing the device.

 **Danger:** Cut off all the power when installing, plugging or unplugging the device to ensure the safety of personnel and the device.

### 3.1 Prerequisites

Make sure that the device in package is in good condition, all the assembly parts included, and prepare necessary parts before installation.

- When installing the device, ensure that the environment temperature is between  $-20\text{ }^{\circ}\text{C}\sim+50\text{ }^{\circ}\text{C}$ , and humidity level  $\leq 90\%\pm 5\%$  without condensation.
- The device is not water-proof. Do not expose the device to direct sunlight or install the device independently in outdoor environments.
- Make sure that there is enough space to install the device and its accessories. See the dimension (Page 2 – C) of the device, unit: mm [inch].
- Follow the Safety Instructions in this guide closely during installation.

### 3.2 Install the Device

The section introduces tripod and microscope stand mounting methods for your references. Select an installation method based on actual scenarios.

#### 3.2.1 Attach to Tripod (Page 3 – D)

The device has 1/4-20 UNC thread holes, and can be attached to a tripod and other stationary scenarios via 1/4-20 UNC adapter.

**Steps:**

1. Prepare a suitable adapter (②), and use 1/4-20 UNC screw to fix the adapter to the device (①) through the 1/4-20 UNC thread holes on the device.
2. Put the assembled device and adapter on the mounting plate, and use the release knob (③) on the tripod to fix the device.

#### 3.2.2 Attach to Microscope Stand (Page 4, 5 – E)

The device has 1/4-20 UNC (⑥) thread holes, and can be fixed on microscope stands (③) via 1/4-20 UNC adapter in macro scenarios.

**Steps:**

1. Align the position pin (①) on the adapter (②) with the positioning hole (④) on the device.

2. Tighten the fixing screw (⑤) on the microscope stand to fix the device on the stand.
3. Adjust object distance, and make sure that the distance between the device and the target is 4.3 cm.
4. Turn the mode dial to the Macro mode (⑦), then turn the focus wheel (⑧) to align the two locating pins (⑨).

## **4 User Manual (Page 4 – F)**

### **5 Technical Support**

<https://www.hikmicrotech.com/en/contact-us.html> portal will help you as a HIKMICRO customer to get the most out of your HIKMICRO products. The portal gives you access to our support team, software and documentation, service contacts, etc.

### **Regulatory Compliance and Safety Information**

Read all information and instructions in this document carefully before using the device and keep it for further reference.

For more device information and instructions, please visit our website at <https://www.hikmicrotech.com>. You can also refer to other documents (if any) accompanying the device or scan the QR code (if any) on the packaging to get more information.


**©Hangzhou Microimage Software Co., Ltd. All rights reserved.**

### **About this Manual**

The Manual includes instructions for using and managing the Product. Pictures, charts, images and all other information hereinafter are for description and explanation only. The information contained in the Manual is subject to change, without notice, due to firmware updates or other reasons. Please find the latest version of this Manual at the HIKMICRO website ([www.hikmicrotech.com](http://www.hikmicrotech.com)).

Please use this Manual with the guidance and assistance of professionals trained in supporting the Product.

### **Trademarks Acknowledgement**

 **HIKMICRO** and other HIKMICRO's trademarks and logos are the properties of HIKMICRO in various jurisdictions.

Other trademarks and logos mentioned are the properties of their respective owners.

## **LEGAL DISCLAIMER**

TO THE MAXIMUM EXTENT PERMITTED BY APPLICABLE LAW, THIS MANUAL AND THE PRODUCT DESCRIBED, WITH ITS HARDWARE, SOFTWARE AND FIRMWARE, ARE PROVIDED "AS IS" AND "WITH ALL FAULTS AND ERRORS". HIKMICRO MAKES NO WARRANTIES, EXPRESS OR IMPLIED, INCLUDING WITHOUT LIMITATION, MERCHANTABILITY, SATISFACTORY QUALITY, OR FITNESS FOR A PARTICULAR PURPOSE. THE USE OF THE PRODUCT BY YOU IS AT YOUR OWN RISK. IN NO EVENT WILL HIKMICRO BE LIABLE TO YOU FOR ANY SPECIAL, CONSEQUENTIAL, INCIDENTAL, OR INDIRECT DAMAGES, INCLUDING, AMONG OTHERS, DAMAGES FOR LOSS OF BUSINESS PROFITS, BUSINESS INTERRUPTION, OR LOSS OF DATA, CORRUPTION OF SYSTEMS, OR LOSS OF DOCUMENTATION, WHETHER BASED ON BREACH OF CONTRACT, TORT (INCLUDING NEGLIGENCE), PRODUCT LIABILITY, OR OTHERWISE, IN CONNECTION WITH THE USE OF THE PRODUCT, EVEN IF HIKMICRO HAS BEEN ADVISED OF THE POSSIBILITY OF SUCH DAMAGES OR LOSS.

YOU ACKNOWLEDGE THAT THE NATURE OF THE INTERNET PROVIDES FOR INHERENT SECURITY RISKS, AND HIKMICRO SHALL NOT TAKE ANY RESPONSIBILITIES FOR ABNORMAL OPERATION, PRIVACY LEAKAGE OR OTHER DAMAGES RESULTING FROM CYBER-ATTACK, HACKER ATTACK, VIRUS INFECTION, OR OTHER INTERNET SECURITY RISKS; HOWEVER, HIKMICRO WILL PROVIDE TIMELY TECHNICAL SUPPORT IF REQUIRED.

YOU AGREE TO USE THIS PRODUCT IN COMPLIANCE WITH ALL APPLICABLE LAWS, AND YOU ARE SOLELY RESPONSIBLE FOR ENSURING THAT YOUR USE CONFORMS TO THE APPLICABLE LAW. ESPECIALLY, YOU ARE RESPONSIBLE, FOR USING THIS PRODUCT IN A MANNER THAT DOES NOT INFRINGE ON THE RIGHTS OF THIRD PARTIES, INCLUDING WITHOUT LIMITATION, RIGHTS OF PUBLICITY, INTELLECTUAL PROPERTY RIGHTS, OR DATA PROTECTION AND OTHER PRIVACY RIGHTS. YOU SHALL NOT USE THIS PRODUCT FOR ANY PROHIBITED END-USES, INCLUDING THE DEVELOPMENT OR PRODUCTION OF WEAPONS

---

OF MASS DESTRUCTION, THE DEVELOPMENT OR PRODUCTION OF CHEMICAL OR BIOLOGICAL WEAPONS, ANY ACTIVITIES IN THE CONTEXT RELATED TO ANY NUCLEAR EXPLOSIVE OR UNSAFE NUCLEAR FUEL-CYCLE, OR IN SUPPORT OF HUMAN RIGHTS ABUSES.

IN THE EVENT OF ANY CONFLICTS BETWEEN THIS MANUAL AND THE APPLICABLE LAW, THE LATTER PREVAILS.


## **Regulatory Information**

---

**These clauses apply only to the products bearing the corresponding mark or information.**

---


### **EU Compliance Statement**

 This product and - if applicable - the supplied accessories too are marked with "CE" and comply therefore with the applicable harmonized European standards listed under the Directive 2014/30/EU (EMCD) and Directive 2011/65/EU (RoHS).

Note: The products with the input voltage of within 50 to 1000 VAC or 75 to 1500 VDC comply with Directive 2014/35/EU (LVD), and the rest products comply with Directive 2001/95/EC (GPSD). Please check the specific power supply information for reference.

Warning: This is a class A product. In a domestic environment this product may cause radio interference in which case the user may be required to take adequate measures.



 2012/19/EU (WEEE directive): Products marked with this symbol cannot be disposed of as unsorted municipal waste in the European Union. For proper recycling, return this product to your local supplier upon the purchase of equivalent new equipment, or dispose of it at designated collection points. For more information see: [www.recyclethis.info](http://www.recyclethis.info)



2006/66/EC and its amendment 2013/56/EU (battery directive): This product contains a battery that cannot be disposed of as unsorted municipal waste in the European Union. See the product documentation for

specific battery information. The battery is marked with this symbol, which may include lettering to indicate cadmium (Cd), lead (Pb), or mercury (Hg). For proper recycling, return the battery to your supplier or to a designated collection point. For more information see: [www.recyclethis.info](http://www.recyclethis.info).

### **Safety Instructions**

These instructions are intended to ensure that user can use the product correctly to avoid danger or property loss. Please read all the safety information carefully before using.

### **Laws and Regulations**

The device should be used in compliance with local laws, electrical safety regulations, and fire prevention regulations.

### **Transportation**

- Keep the device in original or similar packaging while transporting it.
- Do not drop the product or subject it to physical shock. Keep the device away from magnetic interface.

### **Electrical Safety**

- CAUTION: If the fuse of the device can be replaced, replace it only with the same model to reduce the risk of fire or electric shock.
- If a fuse is connected to the neutral wire and a double pole/neutral fusing occurs, parts of the device that remain energized might represent a hazard during servicing after operation of the fuse.
- The device must be connected to an earthed mains socket-outlet.
- The socket-outlet shall be installed near the device and shall be easily accessible.
- Do not touch the bare components (such as the metal contacts of the inlets) and wait for at least 5 minutes, since electricity may still exist after the device is powered off.
- If the device is powered by terminals connected to the power cord, ensure correct voltage and wiring of the terminals for connection to mains supply.

### **Battery**

Warning:



- Do not wet or subject the product or battery to water.
- Do not subject the product to extremely high temperature environment such as fire or heating oven, which may result in an explosion or the leakage of flammable liquid or gas.
- Do not subject the product to heated vessels, washing machines, or pressure vessels.
- The product installation environment should be within the specified temperature and humidity range, avoid direct sun exposure, and not be surrounded by obstacles or flammable substances, otherwise danger may occur.
- Do not subject the product to extremely low air pressure, which may result in an explosion or the leakage of flammable liquid or gas.

Storage:

- The battery should be stored in a warehouse or other indoor environment that is free from light exposure and water. Please do not place the battery in direct sunlight or in areas that may be exposed to rain or water.
- The battery storage temperature requirement: 10 °C to 30 °C.
- The battery storage relative humidity requirement: ≤60% RH.

Operation and Usage:

- Warning: The device contains built-in batteries, which should not be disassembled, replaced, or modified without professional assistance. Otherwise, there is a risk of explosion, fire, or chemical corrosion.
- Warning: The battery should not be squeezed, pierced, struck, mechanically shocked, or disassembled. If the battery is damaged, it may cause heat, fire, or explosion.
- Warning: If the battery is damaged, please contact after-sales service to replace. Do not repair or replace the component on your own.
- Please charge and discharge within the specified temperature range, and there should be no shelters or flammable materials around during charging, otherwise danger may occur.
- The battery should be shipped partially charged.
- When checking the battery, protective glasses and gloves should be worn.

- If the battery leaks and the liquid spills on the skin or eyes, rinse it with clean water as soon as possible and seek medical attention immediately.
- If the battery catches fire, use a foam extinguisher, dry powder extinguisher, or fire sand to extinguish the fire.
- Use the original or specified battery charger. Incorrect charging methods and chargers may damage the battery and cause it to catch fire or other problems.
- Do not charge the battery with a faulty charger.
- Please stop charging after reaching the specified charging time, otherwise the battery may heat up, explode or catch fire.

#### Waste Battery Disposal Requirements:

- Batteries are toxic and hazardous. Dispose of waste batteries according to the applicable national laws, regulations and standards.

#### Fire Prevention

- No naked flame sources, such as lighted candles, should be placed on the device.
- For the device with ventilation openings, the ventilation openings should not be impeded by covering the ventilation openings with items, such as newspapers, table-cloths, and curtains. The openings shall never be blocked by placing the device on a bed, sofa, rug, or other similar surface.

#### Hot Surface



- CAUTION: Hot parts! Do not touch. Burned fingers when handling the parts. Wait one-half hour after switching off before handling the parts.

#### Power Supply

- Input voltage should meet the Limited Power Source (12 VDC) according to the IEC62368 standard. Please refer to technical specifications for detailed information.
- Make sure the plug is properly connected to the power socket.
- DO NOT connect multiple devices to one power adapter, to avoid over-heating or fire hazards caused by overload.
- + identifies the positive terminal(s) of equipment which is used

with, or generates direct current. - identifies the negative terminal(s) of equipment which is used with, or generates direct current.

### **Installation**

- Install the device according to the instructions in this manual.
- To prevent injury, this device must be securely attached to the installation surface in accordance with the installation instructions.
- Never place the equipment in an unstable location. The equipment may fall, causing serious personal injury or death.
- This equipment is not suitable for use in locations where children are likely to be present.
- This equipment is for use only with corresponding brackets. Use with other (carts, stands, or carriers) may result in instability causing injury.

### **System Security**

- Please understand that you have the responsibility to configure all the passwords and other security settings about the device, and keep your user name and password.

### **Maintenance**

- If the product does not work properly, please contact your dealer or the nearest service center. We shall not assume any responsibility for problems caused by unauthorized repair or maintenance.
- Wipe the device gently with a clean cloth and a small quantity of ethanol, if necessary.
- If the equipment is used in a manner not specified by the manufacturer, the protection provided by the device may be impaired.

### **Using Environment**

- Make sure the running environment meets the requirement of the device. The operating temperature shall be  $-20\text{ }^{\circ}\text{C}$  to  $50\text{ }^{\circ}\text{C}$  ( $-4\text{ }^{\circ}\text{F}$  to  $122\text{ }^{\circ}\text{F}$ ), and the operating humidity shall be between 5% to 95%.
- DO NOT aim the lens at the sun or any other bright light.
- DO NOT expose the device to high electromagnetic radiation.

### **Emergency**

- Make sure that the power has been disconnected before you wire, install, or disassemble the device.
- If smoke, odor, or noise arises from the device, immediately turn off the power, unplug the power cable, and contact the service center.

### **Time Synchronization**

- Set up device time manually for the first time access if the local time is not synchronized with that of the network. Visit the device via Web browser/client software and go to time settings interface.

### **Manufacture Address**

Room 313, Unit B, Building 2, 399 Danfeng Road, Xixing Subdistrict, Binjiang District, Hangzhou, Zhejiang 310052, China  
Hangzhou Microimage Software Co., Ltd.

COMPLIANCE NOTICE: The thermal series products might be subject to export controls in various countries or regions, including without limitation, the United States, European Union, United Kingdom and/or other member countries of the Wassenaar Arrangement. Please consult your professional legal or compliance expert or local government authorities for any necessary export license requirements if you intend to transfer, export, re-export the thermal series products between different countries.

## 1 Vue d'ensemble

### 1.1 Brève description

La caméra réseau thermographique (ci-après dénommée « appareil ») intègre les fonctions de surveillance à distance par internet, de serveur vidéo et de mesure de la température en temps réel.

La transmission, la prévisualisation et la configuration à distance peuvent être réalisées via des navigateurs et des clients. L'appareil peut être simplement installé sans système de câblage structuré.

Il peut être déployé à grande échelle dans la production alimentaire, l'industrie chimique quotidienne, les tests de PCBA, la recherche et divers autres domaines.

### 1.2 Fonctionnalités

L'appareil dispose de fonctionnalités suivantes :

- Mode Macro.
- Imagerie thermique.
- Multiple palettes.
- Un étalonnage qui assure l'uniformité de l'image et améliore les détails et les effets de l'image.
- Algorithmes de compression vidéo puissants permettant d'obtenir un taux de compression élevé à un débit binaire très faible.
- NAS qui offre des performances de transfert de données rapides et fiables.
- Alarme de seuil de température et autres fonctions de mesure de la température pouvant être analysées sur le client.
- TCP/IP, HTTP et autres protocoles.
- Mise à jour et maintenance à distance.

### 1.3 Composant et interface (Page 1 – A)

La représentation n'est fournie qu'à titre indicatif. L'appareil réel prévaut.

N°	Composant et interface	Description
----	------------------------	-------------

1	Objectif thermique	Observer l'image thermique.
2	Sélecteur de mode	Basculez l'appareil en mode Macro ou en mode Normal.
3	Molette de mise au point	Ajustez la distance focale.
4	Trou fileté UNC 1/4-20	Pour les vis d'installation.
5	Trou de positionnement	Permet à l'appareil de s'aligner sur la broche de positionnement de l'adaptateur.
6	Indicateurs réseau	<ul style="list-style-type: none"> <li>● Clignotement : Transmission de données réseau.</li> <li>● Fixe : Le réseau est connecté, sans transmission de données.</li> </ul>
7	Bouton de réinitialisation	Appuyez sur le bouton pendant 10 secondes, puis relâchez-le. L'appareil sera restauré aux paramètres d'usine.
8	Vis de mise à la terre	Connectez à la borne de mise à la terre pour assurer que le circuit soit sécuritaire.
9	Voyant d'alimentation	<ul style="list-style-type: none"> <li>● Vert fixe : Fonctionnement.</li> <li>● Rouge fixe : Le système</li> </ul>

		est en cours de fonctionnement.
10	Prise du terminal	Contient 10 connecteurs à broches.
11	Interface réseau	RJ-45, communication réseau
12	Câble réseau	Une fois le câble réseau fourni branché, serrez les vis pour assurer sa fixation.
13	Bornier	Insérez le bornier dans la prise du terminal, puis raccordez les fils en vous référant au tableau de définition des broches ci-dessous.

#### 1.4 Définition de la broche (Page 2 – B)

N°	Signal	Description
1	Alimentation	Entrée d'alimentation 12 V CC. Veuillez correctement connecter les bornes positive et négative.  Une fois l'appareil installé, vous pouvez utiliser l'adaptateur fourni dans le paquet pour le charger.
2	GND	
3	RS-232_RX	Communication série RS-232, pour le débogage de l'appareil.
4	RS-232_TX	
5	ALARM_IN	1 entrée d'alarme ; 2 sorties d'alarme.
6	ALARM_OUTA	

7	ALARM_OUTB	
8	RS485-	Interface de communication du port série RS-485.
9	RS485+	
10	CVBS	Sortie vidéo analogique.

## 2 Activation et accès à la caméra réseau

Visitez [www.hikmicrotech.com](http://www.hikmicrotech.com) pour télécharger et installer HIKMICRO Studio. Reportez-vous au manuel d'utilisation de l'appareil pour un fonctionnement détaillé.

## 3 Installation

Lisez les instructions de cette section avant d'installer l'appareil.

**⚠ Danger :** Pour assurer la sécurité du personnel et de l'appareil, coupez toujours l'alimentation électrique avant d'installer, de brancher ou de débrancher l'appareil.

### 3.1 Conditions préalables

Vérifiez que l'appareil dans l'emballage est en bon état, que toutes les pièces d'assemblage sont présentes et préparez les éléments nécessaires avant l'installation.

- Lors de l'installation de l'appareil, assurez-vous que la température ambiante se situe entre -20 °C et +50 °C, et que le taux d'humidité soit  $\leq 90 \% \pm 5 \%$  sans condensation.
- L'appareil n'est pas imperméable. N'exposez pas l'appareil à la lumière directe du soleil et ne l'installez pas vous-même en extérieur.
- Assurez-vous qu'il y a suffisamment de place pour installer l'appareil et ses accessoires. Voir les dimensions (page 2 - C) de l'appareil, en millimètres [pouces].
- Suivez attentivement les consignes de sécurité de ce guide lors de l'installation.

### 3.2 Installation de l'appareil

Cette section présente différentes méthodes de fixation pour trépieds et microscopes, à titre de référence. Sélectionnez une méthode d'installation en fonction de scénarios concrets.

#### 3.2.1 Fixation sur le trépied (Page 3 – D)



L'appareil dispose de trous filetés UNC 1/4-20 et peut être fixé à un trépied et à d'autres supports fixes via un adaptateur UNC 1/4-20.

**Procédure :**

1. Préparez un adaptateur approprié (②) et fixez-le à l'appareil (①) à l'aide d'une vis UNC 1/4-20 par les trous filetés UNC 1/4-20 de l'appareil.
2. Placez l'appareil et l'adaptateur assemblés sur la plaque de montage et utilisez la molette de déverrouillage (③) du trépied pour immobiliser l'appareil.

**3.2.2 Fixation au support du microscope (page 4, 5 – E)**

L'appareil comporte des trous filetés 1/4-20 UNC (⑥) et peut être fixé sur des supports de microscope (③) à l'aide d'un adaptateur 1/4-20 UNC dans les scénarios macro.

**Procédure :**

1. Alignez la broche de positionnement (①) sur l'adaptateur (②) par rapport au trou de positionnement (④) de l'appareil.
2. Pour stabiliser le microscope sur son statif, serrez la vis de fixation (⑤) située au statif de l'appareil.
3. Réglez la distance de l'objet et assurez-vous que la distance entre l'appareil et la cible est de 4,3 cm.
4. Mettez le sélecteur de mode sur mode Macro (⑦), puis tournez la molette de mise au point (⑧) pour aligner les deux broches de positionnement (⑨)

**4 Manuel d'utilisation (Page 4 – F)**

**5 Assistance technique**

Le portail <https://www.hikmicrotech.com/en/contact-us.html> vous aidera en tant que client HIKMICRO à tirer le meilleur de vos produits HIKMICRO. Depuis le portail, accédez à notre équipe d'assistance, à des logiciels et de la documentation, à des contacts en rapport avec le support, etc.

**Conformité à la réglementation et consignes de sécurité**

Lisez soigneusement toutes les informations et instructions de ce document avant d'utiliser l'appareil et conservez-le pour toute référence ultérieure.

Pour plus d'informations et d'instructions sur l'appareil, veuillez consulter notre site Web à l'adresse <https://www.hikmicrotech.com>. Vous pouvez également consulter les autres documents (le cas échéant) accompagnant l'appareil ou scanner le code QR (le cas échéant) sur l'emballage pour obtenir plus d'informations.

## **MENTIONS LÉGALES**

DANS LES LIMITES AUTORISÉES PAR LA LOI EN VIGUEUR, LE PRÉSENT MANUEL ET LE PRODUIT DÉCRIT, AINSI QUE SON MATÉRIEL, SES LOGICIELS ET SES MICROLOGICIELS, SONT FOURNIS « EN L'ÉTAT » ET « AVEC CES FAIBLESSES ET ERREURS ». HIKMICRO NE FAIT AUCUNE GARANTIE, EXPLICITE OU IMPLICITE, Y COMPRIS, MAIS SANS S'Y LIMITER, DE QUALITÉ MARCHANDE, DE QUALITÉ SATISFAISANTE, OU D'ADÉQUATION À UN USAGE PARTICULIER. VOUS UTILISEZ LE PRODUIT À VOS PROPRES RISQUES. EN AUCUN CAS, HIKMICRO NE SERA TENU RESPONSABLE DE TOUT DOMMAGE SPÉCIAL, CONSÉCUTIF, ACCESSOIRE OU INDIRECT, Y COMPRIS, ENTRE AUTRES, LES DOMMAGES RELATIFS À LA PERTE DE PROFITS D'ENTREPRISE, À L'INTERRUPTION D'ACTIVITÉS COMMERCIALES, OU LA PERTE DES DONNÉES, LA CORRUPTION DES SYSTÈMES, OU LA PERTE DES DOCUMENTS, S'ILS SONT BASÉS SUR UNE VIOLATION DE CONTRAT, UNE FAUTE (Y COMPRIS LA NÉGLIGENCE), LA RESPONSABILITÉ EN MATIÈRE DE PRODUITS, OU AUTRE, EN RAPPORT AVEC L'UTILISATION DU PRODUIT, MÊME SI HIKMICRO A ÉTÉ INFORMÉ DE LA POSSIBILITÉ D'UN TEL DOMMAGE OU D'UNE TELLE PERTE.

VOUS RECONNAISSEZ QUE LA NATURE D'INTERNET EST SOURCE DE RISQUES DE SÉCURITÉ INHÉRENTS, ET HIKMICRO SE DÉGAGE DE TOUTE RESPONSABILITÉ EN CAS DE FONCTIONNEMENT ANORMAL, DIVULGATION D'INFORMATIONS CONFIDENTIELLES OU AUTRES DOMMAGES DÉCOULANT D'UNE CYBERATTAQUE, D'UN PIRATAGE INFORMATIQUE, D'UNE INFECTION PAR DES VIRUS, OU AUTRES RISQUES DE SÉCURITÉ LIÉS À INTERNET ; TOUTEFOIS, HIKMICRO FOURNIRA UNE ASSISTANCE TECHNIQUE DANS LES DÉLAIS SI NÉCESSAIRE.

VOUS ACCEPTEZ D'UTILISER CE PRODUIT CONFORMÉMENT À L'ENSEMBLE DES LOIS EN VIGUEUR. IL EST DE VOTRE RESPONSABILITÉ EXCLUSIVE DE VEILLER À CE QUE VOTRE UTILISATION SOIT CONFORME À LA LOI APPLICABLE. IL VOUS APPARTIENT SURTOUT D'UTILISER CE PRODUIT D'UNE MANIÈRE QUI NE PORTE PAS ATTEINTE AUX DROITS DE TIERS, Y COMPRIS, MAIS SANS S'Y LIMITER, LES DROITS DE PUBLICITÉ, LES DROITS DE PROPRIÉTÉ INTELLECTUELLE, OU LA PROTECTION DES DONNÉES ET D'AUTRES DROITS À LA VIE PRIVÉE. VOUS NE DEVEZ PAS UTILISER CE PRODUIT POUR TOUTE UTILISATION FINALE INTERDITE, NOTAMMENT LA MISE AU POINT OU LA PRODUCTION D'ARMES DE DESTRUCTION MASSIVE, LA MISE AU POINT OU LA FABRICATION D'ARMES CHIMIQUES OU BIOLOGIQUES, LES ACTIVITÉS DANS LE CONTEXTE LIÉ AUX EXPLOSIFS NUCLÉAIRES OU AU CYCLE DU COMBUSTIBLE NUCLÉAIRE DANGEREUX, OU SOUTENANT LES VIOLATIONS DES DROITS DE L'HOMME.

EN CAS DE CONFLIT ENTRE CE MANUEL ET LES LOIS EN VIGUEUR, CES DERNIÈRES PRÉVALENT.


### **Informations réglementaires**

---

**Ces clauses ne s'appliquent qu'aux produits portant la marque ou l'information correspondante.**

---

#### **Déclaration de conformité UE**

 Ce produit et - le cas échéant - les accessoires fournis portent le marquage « CE » et sont donc conformes aux normes européennes harmonisées applicables répertoriées dans la Directive 2014/30/UE (directive sur la compatibilité électromagnétique) et la Directive 2011/65/UE (RoHS).

Remarque : Les produits dont la tension d'entrée est comprise entre 50 et 1 000 V CA ou 75 et 1 500 V CC sont conformes à la directive 2014/35/UE (LVD), et les autres produits sont conformes à la directive 2001/95/CE (GPSD). Veuillez examiner les informations d'alimentation spécifiques à des fins de référence.

Avertissement : Il s'agit d'un produit de classe A. Dans un

---

environnement domestique, ce produit peut provoquer des interférences radio, auquel cas l'utilisateur peut être amené à prendre des mesures adéquates.



2012/19/UE (Directive WEEE) : Dans l'Union européenne, les produits portant ce pictogramme ne doivent pas être déposés dans une décharge municipale où le tri des déchets n'est pas pratiqué.

Pour un recyclage correct, renvoyez ce produit à votre fournisseur local lors de l'achat d'un nouvel équipement équivalent, ou déposez-le dans les points de collecte prévus à cet effet. Pour plus de précisions, rendez-vous sur : [www.recyclethis.info](http://www.recyclethis.info)



2006/66/CE et son amendement 2013/56/UE (directive sur les batteries) : ce produit renferme une pile qui ne doit pas être déposée dans une décharge municipale où le tri des déchets n'est pas pratiqué, dans l'Union

européenne. Pour plus de précisions sur la pile, reportez-vous à sa documentation. La pile porte le pictogramme ci-contre, qui peut inclure la mention Cd (cadmium), Pb (plomb) ou Hg (mercure). Pour la recycler correctement, renvoyez-la à votre revendeur ou déposez-la dans un point de collecte prévu à cet effet. Pour de plus amples informations, visitez le site Web : [www.recyclethis.info](http://www.recyclethis.info).

## **Précautions d'emploi**

L'objectif de ces instructions est de garantir que l'utilisateur soit en mesure d'utiliser correctement le produit sans danger ou dommage aux biens. Veuillez lire soigneusement toutes les consignes de sécurité avant d'utiliser l'appareil.

## **Lois et réglementations**

L'appareil doit être utilisé conformément à la législation locale ainsi qu'aux réglementations en matière de sécurité électrique et de prévention des incendies.

## **Transport**

- Gardez l'appareil dans son emballage d'origine ou dans un emballage similaire lors de son transport.
- Ne pas faire tomber le produit ou le soumettre à un choc

physique. Gardez l'appareil à l'écart des interférences magnétiques.

### **Sécurité électrique**

- **ATTENTION** : Si vous devez remplacer le fusible de l'appareil, remplacez-le uniquement par un fusible du même modèle pour réduire les risques d'incendie ou de choc électrique.
- Si un fusible est connecté au fil neutre et qu'une fusion bipolaire/neutre se produit, les parties de l'appareil qui restent sous tension peuvent représenter un danger lors de l'entretien après le fonctionnement du fusible.
- L'appareil doit être connecté à une prise électrique secteur mise à la terre.
- La prise de courant doit être installée près de l'équipement et doit être facilement accessible.
- Ne touchez pas les composants nus (tels que les contacts de métal des entrées) et patientez au moins 5 minutes, puisque l'appareil peut toujours être alimenté après la mise hors tension de l'appareil.
- Si l'appareil est alimenté par des bornes connectées au cordon d'alimentation, assurez-vous que la tension et le câblage des bornes sont appropriés pour un branchement à une alimentation secteur.

### **Batterie**

Avertissement :

- Ne mouillez pas le produit ou la batterie et ne les exposez pas à l'eau.
- N'exposez pas le produit à des températures extrêmement élevées, telles que celles d'un feu ou d'un four de chauffage, car vous encourez un risque d'explosion ou une fuite de liquide ou de gaz inflammable.
- N'exposez pas le produit à des récipients chauffés, à des machines à laver ou à des récipients sous pression.
- La température et l'humidité de l'environnement d'installation du produit doivent se situer dans la plage spécifiée, évitez l'exposition directe au soleil et ne vous laissez pas entourer d'obstacles ou de substances inflammables, sinon vous risquez de vous exposer à des dangers.

● N'exposez pas le produit à des pressions atmosphériques extrêmement basses, car vous encourez un risque d'explosion ou une fuite de liquide ou de gaz inflammable.

Stockage :

● La batterie doit être entreposée dans un magasin ou tout autre environnement intérieur à l'abri de la lumière et de l'eau. Ne placez pas la batterie sous la lumière directe du soleil ou dans des endroits susceptibles d'être exposés à la pluie ou à l'eau.

● Conditions de température d'entreposage de la batterie : 10° C à 30° C.

● Conditions d'humidité relative d'entreposage de la batterie : ≤ 60 % HR.

Fonctionnement et utilisation :

● Avertissement : L'appareil contient des batteries intégrées qui ne doivent pas être démontées, remplacées ou modifiées sans l'aide d'un professionnel. Sinon, vous risquez de provoquer une explosion, un incendie ou une corrosion chimique.

● Avertissement : la batterie ne doit pas être écrasée, percée, frappée, soumise à des chocs mécaniques ou démontée. Si la batterie est endommagée, elle peut provoquer de la chaleur, un incendie ou une explosion.

● Avertissement : Si la batterie est endommagée, veuillez contacter le service après-vente pour la remplacer. Ne réparez ni ne remplacez les composants par vos propres moyens.

● La charge et la décharge doivent respecter la plage de température spécifiée, et aucun abri ou matériau inflammable ne doit se trouver à proximité pendant la charge, sous peine de danger.

● La batterie doit être livrée partiellement chargée.

● Des lunettes et des gants de protection doivent être portés lors du contrôle de la batterie.

● Si la batterie présente une fuite et que le liquide se répand sur la peau ou les yeux, rincez-les immédiatement à l'eau claire et consultez un médecin sans tarder.

● Si la batterie prend feu, utilisez un extincteur à mousse, un extincteur à poudre ou du sable pour éteindre le feu.

● Utilisez le chargeur de batterie original ou spécifié. Des

méthodes de chargement et des chargeurs inappropriés peuvent endommager la batterie et provoquer un incendie ou d'autres problèmes.

- Ne chargez pas la batterie à l'aide d'un chargeur défectueux.
- Veuillez arrêter la charge une fois le temps de charge imparti écoulé, sinon la batterie risque de chauffer, d'exploser ou de s'enflammer.

Exigences en matière d'élimination des batteries usagées :

- La batterie présente des risques de toxicité et de danger. Éliminez les batteries usagées conformément aux lois, réglementations et normes nationales en vigueur.

### **Prévention des incendies**

- Aucune source de flamme nue, telle que des bougies allumées, ne doit être placée sur l'appareil.
- Pour l'appareil équipé d'ouvertures d'aération, n'entravez pas le système de ventilation : ne recouvrez pas les ouvertures d'aération d'articles tels que des journaux, une nappe, des rideaux. Ces ouvertures ne doivent jamais être bloquées, par exemple en posant l'appareil sur un lit, un canapé, un tapis ou toute autre surface similaire.

### **Surface chaude**



- **ATTENTION** : Composants chauds ! Ne pas toucher. La manipulation des pièces risque de brûler les doigts. Attendez une demi-heure après l'arrêt de l'appareil avant de manipuler les pièces.

### **Alimentation électrique**

- La tension d'entrée doit être conforme à celle d'une source d'alimentation limitée (12 V CC) selon la norme IEC62368. Veuillez vous référer aux caractéristiques techniques pour des informations détaillées.
- Vérifiez que la prise est correctement branchée à la prise électrique.
- Pour éviter tout risque de surchauffe ou d'incendie dû à une surcharge, ne reliez PAS plusieurs appareils à un seul adaptateur d'alimentation.

● Le symbole « + » identifie la (les) borne(s) positive(s) de l'équipement qui est utilisé avec, ou qui génère du courant continu. Le symbole « - » identifie la (les) borne(s) négative(s) de l'équipement qui est utilisé avec, ou qui génère du courant continu.

### **Installation**

- Installez l'appareil conformément aux instructions dans ce manuel.
- Pour éviter toute blessure, cet appareil doit être fermement fixé à la surface d'installation conformément aux instructions d'installation.
- N'installez jamais l'équipement sur un support instable. Si l'équipement tombe et heurte une personne, cela peut entraîner des blessures graves, voire la mort.
- Cet équipement n'est pas adapté à un usage dans les endroits où des enfants sont susceptibles d'être présents.
- Cet équipement doit être utilisé uniquement avec les supports correspondants. Toute utilisation avec d'autres supports (chariots, stations ou transporteurs) peut entraîner une instabilité pouvant causer des blessures.

### **Sécurité du système**

● Vous êtes responsable de la configuration de tous les mots de passe et d'autres paramètres de sécurité concernant l'appareil. Gardez votre nom d'utilisateur et votre mot de passe en sécurité.

### **Maintenance**

- Si le produit ne fonctionne pas correctement, contactez votre revendeur ou le centre de service le plus proche. Nous n'assumerons aucune responsabilité concernant les problèmes causés par une réparation ou une opération de maintenance non autorisée.
- Essuyez délicatement l'appareil à l'aide d'un chiffon propre imbibé d'une petite quantité d'éthanol, si nécessaire.
- Si l'appareil n'est pas utilisé conformément aux indications du fabricant, le dispositif de protection fourni par l'appareil peut être compromis.

### **Environnement d'exploitation**

- Assurez-vous que l'environnement d'exploitation répond aux



exigences de l'appareil. La température de fonctionnement doit être maintenue dans la plage de -20 °C à 50 °C (-4 °F à 122 °F), tandis que le taux d'humidité de fonctionnement doit être maintenu entre 5 % et 95 %.

- N'orientez PAS l'objectif vers le soleil ou toute autre source de lumière vive.

- N'exposez PAS l'appareil à de puissants rayonnements électromagnétiques.

### **Urgence**

- Avant de procéder au câblage, à l'installation ou au démontage de l'appareil, assurez-vous que l'alimentation est coupée.

- Si de la fumée, des odeurs ou du bruit s'échappent de l'appareil, mettez immédiatement l'appareil hors tension et débranchez le câble d'alimentation, puis contactez un centre de réparation.

### **Synchronisation de l'heure**

- Si l'heure locale de l'appareil n'est pas synchronisée avec celle du réseau, configurez-la manuellement lors du premier accès. Accédez à l'appareil via le navigateur Web/le logiciel client et allez dans l'interface de réglage de l'heure.

### **Adresse de fabrication**

Logement 313, Unité B, Bâtiment 2, 399 Danfeng Road,  
Sous-district de Xixing, District de Binjiang, Hangzhou, Zhejiang  
310052, Chine

Hangzhou Microimage Software Co., Ltd.

**AVIS DE CONFORMITÉ** : il est possible que les produits de la série thermique soient soumis à des contrôles d'exportation dans divers pays ou diverses régions, ce qui inclut, sans s'y limiter, les États-Unis, l'Union européenne, le Royaume-Uni ou d'autres pays membres de l'Arrangement de Wassenaar. Veuillez consulter votre expert professionnel en questions juridiques ou en conformité ou les autorités de votre gouvernement local pour toute exigence de permis d'exportation si vous prévoyez de transférer, d'exporter ou de réexporter des produits de la série thermique entre différents pays.

## 1 Überblick

### 1.1 Kurzbeschreibung

Die thermografische Netzwerkkamera (im Folgenden als „Gerät“ bezeichnet) integriert die Funktionen der Internet-Fernüberwachung, des Videoservers und der Temperaturmessung in Echtzeit.

Fernübertragung, Vorschau und Konfiguration können über Browser und Clients realisiert werden. Das Gerät kann einfach ohne strukturierte Verkabelung installiert werden.

Es kann in der Lebensmittelproduktion, der chemischen Industrie, bei PCBA-Tests, in der Forschung und in anderen Bereichen eingesetzt werden.

### 1.2 Funktionen

Das Gerät verfügt über die folgenden Funktionen:

- Makro-Modus.
- Wärmebildtechnik.
- Mehrere Paletten.
- Kalibrierung, die für ein gleichmäßiges Bild sorgt und Bilddetails und Effekte verbessert.
- Leistungsstarke Videokomprimierungsalgorithmen, die eine hohe Komprimierungsrate bei extrem niedriger Bitrate unterstützen.
- NAS mit einer schnellen und zuverlässigen Datenübertragungsleistung.
- Temperaturschwellenalarm und andere Temperaturmessfunktionen, die auf dem Client ausgewertet werden können.
- TCP/IP, HTTP und andere Protokolle.
- Fernupdate und Fernwartung.

### 1.3 Komponente und Schnittstelle (Seite 1 – A)

Die Abbildung dient nur zu Referenzzwecken. Das tatsächliche Gerät hat Vorrang.

Nr.	Komponente und	Beschreibung
-----	----------------	--------------

	<b>Schnittstelle</b>	
1	Wärmebildobjektiv	Wärmebild anzeigen.
2	Moduswahlschalter	Schalten Sie das Gerät in den Makromodus oder in den normalen Modus.
3	Fokusrad	Stellt die Brennweite ein.
4	1/4-20 UNC-Gewindebohrung	Schrauben einbauen.
5	Passbohrung	Hilfe zum Ausrichten des Geräts auf den Positionsstift am Adapter.
6	Netzwerkanzeigen	<ul style="list-style-type: none"> <li>● Blinken: Übermittlung von Netzwerkdaten.</li> <li>● Leuchtet: Das Netz ist ohne Datenübertragung verbunden.</li> </ul>
7	Reset-Taste	Um das Gerät auf die Werkseinstellungen zurückzusetzen, müssen Sie die Taste 10 Sekunden lang gedrückt halten und dann loslassen.
8	Masseanschluss	Schließen Sie es zur Gewährleistung der elektrischen Sicherheit an die Erdungsklemme an.

9	Betriebsanzeige	<ul style="list-style-type: none"> <li>● Leuchtet Grün: Betrieb.</li> <li>● Durchgehend rot: Das System ist in Betrieb.</li> </ul>
10	Anschlussbuchse	Enthält 10-polige Anschlüsse.
11	Netzwerkanschluss	RJ-45, Netzwerkcommunication
12	Netzwerkkabel	Wenn Sie das Netzwerkkabel aus der Verpackung einstecken, ziehen Sie die Schrauben am Kabel fest, um es zu sichern.
13	Anschlussleiste	Stecken Sie die Anschlussleiste in die Anschlussbuchse und verbinden Sie die Drähte entsprechend der in der folgenden Tabelle beschriebenen Anschlussbezeichnung.

#### 1.4 Definition der Anschlüsse (Seite 2 – B)

Nr.	Signal	Beschreibung
1	Strom	12V DC Stromeingang. Bitte schließen Sie Plus- und Minuspol korrekt an.  *Nach der Installation des Geräts können Sie das im Lieferumfang enthaltene Netzteil verwenden, um das Gerät aufzuladen.
2	MASSE	


3	RS-232_RX	Serielle RS-232-Kommunikation, für die Fehlersuche im Gerät.
4	RS-232_TX	
5	ALARM_IN	1 Alarmeingang; 2 Alarmausgänge.
6	ALARM_OUTA	
7	ALARM_OUTB	
8	RS485-	Serieller RS-485-Anschluss als Kommunikationsschnittstelle.
9	RS485+	
10	CVBS	Analoger Videoausgang.

## 2 Netzwerkkamera aktivieren und darauf zugreifen

Besuchen Sie zum Herunterladen und Installieren von HIKMICRO Studio die Website [www.hikmicrotech.com](http://www.hikmicrotech.com). Beachten Sie für detaillierte Anweisungen die Bedienungsanleitung des Gerätes.

## 3 Installation

Lesen Sie die Anweisungen in diesem Abschnitt, bevor Sie das Gerät installieren.

 **Vorsicht:** Unterbrechen Sie die Stromzufuhr, wenn Sie das Gerät installieren, einstecken oder ausstecken, um die Sicherheit des Personals und des Geräts zu gewährleisten.

### 3.1 Voraussetzungen

Achten Sie darauf, dass sich das Gerät in der Verpackung in gutem Zustand befindet, alle Montageteile enthalten sind und bereiten Sie die notwendigen Teile vor der Installation vor.

- Stellen Sie bei der Installation des Geräts sicher, dass die Umgebungstemperatur zwischen  $-20\text{ °C} \sim +50\text{ °C}$  und die Luftfeuchtigkeit  $\leq 90\% \pm 5\%$  ohne Kondensation liegt.
- Das Gerät ist nicht wasserdicht. Setzen Sie das Gerät nicht direktem Sonnenlicht aus und stellen Sie es nicht im Freien auf.
- Stellen Sie sicher, dass ausreichend Platz für die Installation des Geräts und des Zubehörs vorhanden ist. Siehe die Abmessungen (Seite 2 – C) des Geräts, Einheit: mm [Zoll].

- Befolgen Sie bei der Installation genau die Sicherheitshinweise in dieser Anleitung.

### **3.2 Installieren des Geräts**

In diesem Abschnitt werden Methoden zur Befestigung von Stativen und Mikroskopstativen vorgestellt. Wählen Sie eine Installationsmethode auf der Grundlage der tatsächlichen Szenarien aus.

#### **3.2.1 Befestigen am Stativ (Seite 3 – D)**

Das Gerät verfügt über 1/4-20 UNC-Gewindebohrungen und kann über 1/4-20 UNC-Adapter an einem Stativ und anderen stationären Szenarien befestigt werden.

##### ***Schritte:***

1. Bereiten Sie einen passenden Adapter (②) vor und befestigen Sie den Adapter mit einer 1/4-20 UNC-Schraube durch die 1/4-20 UNC-Gewindebohrungen am Gerät (①).
2. Setzen Sie das zusammengebaute Gerät und den Adapter auf die Montageplatte, und verwenden Sie den Entriegelungsknopf (③) am Stativ, um das Gerät zu fixieren.

#### **3.2.2 Befestigen am Mikroskopstativ (Seite 4, 5 – E)**

Das Gerät hat 1/4-20 UNC (⑥) Gewindebohrungen und kann über 1/4-20 UNC Adapter in Mikro-Szenarien auf Mikroskopstativen (③) befestigt werden.

##### ***Schritte:***

1. Richten Sie den Positionsstift (①) am Adapter (②) auf das Positionierungsloch (④) am Gerät aus.
2. Ziehen Sie die Befestigungsschraube (⑤) am Mikroskopstativ an, um das Gerät auf dem Stativ zu fixieren.
3. Passen Sie die Objektentfernung an und stellen Sie sicher, dass die Entfernung zwischen dem Gerät und dem Ziel 4,3 cm beträgt.
4. Drehen Sie den Moduswahlschalter auf den Makromodus (⑦), drehen Sie dann das Fokusrad (⑧) um die beiden Positionierstifte auszurichten (⑨).

### **4 Benutzerhandbuch (Seite 4 – F)**

### **5 Technischer Support**

Das Portal <https://www.hikmicrotech.com/en/contact-us.html> wird Sie als HIKMICRO-Kunde dabei unterstützen, Ihre HIKMICRO-Produkte optimal zu nutzen. Über dieses Portal haben Sie Zugang zu unserem Support-Team, zu Software und Dokumentation, zu Servicekontakten usw.

## **Informationen zur Einhaltung gesetzlicher Vorschriften und zur Sicherheit**

Lesen Sie alle Informationen und Anweisungen in diesem Dokument sorgfältig, bevor Sie das Gerät in Betrieb nehmen und bewahren Sie sie zum Nachschlagen auf.

Weitere Informationen und Anleitungen zum Gerät finden Sie auf unserer Website unter <https://www.hikmicrotech.com>. Weitere Informationen finden Sie auch in anderen Dokumenten (falls vorhanden), die dem Gerät beiliegen oder Sie können den QR-Code (falls vorhanden) auf der Verpackung scannen.

### **HAFTUNGSAUSSCHLUSS**

DIESE BEDIENUNGSANLEITUNG UND DAS BESCHRIEBENE PRODUKT MIT SEINER HARDWARE, SOFTWARE UND FIRMWARE WERDEN, SOWEIT GESETZLICH ZULÄSSIG, IN DER „VORLIEGENDEN FORM“ UND MIT „ALLEN FEHLERN UND IRRTÜMERN“ BEREITGESTELLT. HIKMICRO GIBT KEINE GARANTIE, WEDER AUSDRÜCKLICH NOCH STILLSCHWEIGEND, EINSCHLIEßLICH, ABER OHNE DARAUF BESCHRÄNKT ZU SEIN, MARKTGÄNGIGKEIT, ZUFRIEDENSTELLENDEN QUALITÄT ODER EIGNUNG FÜR EINEN BESTIMMTEN ZWECK. DIE NUTZUNG DES PRODUKTS DURCH SIE ERFOLGT AUF IHRE EIGENE GEFAHR. IN KEINEM FALL IST HIKMICRO IHNEN GEGENÜBER HAFTBAR FÜR BESONDERE, ZUFÄLLIGE, DIREKTE ODER INDIREKTE SCHÄDEN, EINSCHLIEßLICH, ABER OHNE DARAUF BESCHRÄNKT ZU SEIN, VERLUST VON GESCHÄFTSGEWINNEN, GESCHÄFTSUNTERBRECHUNG, DATENVERLUST, SYSTEMBESCHÄDIGUNG, VERLUST VON DOKUMENTATIONEN, SEI ES AUFGRUND VON VERTRAGSBRUCH, UNERLAUBTER HANDLUNG (EINSCHLIEßLICH FAHRLÄSSIGKEIT), PRODUKTHAFTUNG ODER ANDERWEITIG, IN VERBINDUNG MIT DER VERWENDUNG DIESES PRODUKTS, SELBST WENN

HIKMICRO ÜBER DIE MÖGLICHKEIT DERARTIGER SCHÄDEN ODER VERLUSTE INFORMIERT WAR.

SIE ERKENNEN AN, DASS DIE NATUR DES INTERNETS DAMIT VERBUNDENE SICHERHEITSRISIKEN BEINHALTET. HIKMICRO ÜBERNIMMT KEINE VERANTWORTUNG FÜR ANORMALEN BETRIEB, DATENVERLUST ODER ANDERE SCHÄDEN, DIE SICH AUS CYBERANGRIFFEN, HACKERANGRIFFEN, VIRUSINFEKTION ODER ANDEREN SICHERHEITSRISIKEN IM INTERNET ERGEBEN. HIKMICRO WIRD JEDOCH BEI BEDARF ZEITNAH TECHNISCHEN SUPPORT LEISTEN.

SIE STIMMEN ZU, DIESES PRODUKT IN ÜBEREINSTIMMUNG MIT ALLEN GELTENDEN GESETZEN ZU VERWENDEN, UND SIE SIND ALLEIN DAFÜR VERANTWORTLICH, DASS IHRE VERWENDUNG GEGEN KEINE GELTENDEN GESETZE VERSTÖßT.

INSBESONDERE SIND SIE DAFÜR VERANTWORTLICH, DIESES PRODUKT SO ZU VERWENDEN, DASS DIE RECHTE DRITTER NICHT VERLETZT WERDEN, EINSCHLIESSLICH, ABER NICHT BESCHRÄNKT AUF VERÖFFENTLICHUNGSRECHTE, DIE RECHTE AN GEISTIGEM EIGENTUM ODER DEN DATENSCHUTZ UND ANDERE PERSÖNLICHKEITSRECHTE. SIE DÜRFEN DIESES PRODUKT NICHT FÜR VERBOTENE ENDANWENDUNGEN VERWENDEN, EINSCHLIESSLICH DER ENTWICKLUNG ODER HERSTELLUNG VON MASSENVERNICHTUNGSWAFFEN, DER ENTWICKLUNG ODER HERSTELLUNG CHEMISCHER ODER BIOLOGISCHER WAFFEN, JEGLICHER AKTIVITÄTEN IM ZUSAMMENHANG MIT EINEM NUKLEAREN SPRENGKÖRPER ODER UNSICHEREN NUKLEAREN BRENNSTOFFKREISLAUF BZW. ZUR UNTERSTÜTZUNG VON MENSCHENRECHTSVERLETZUNGEN.

IM FALL VON WIDERSPRÜCHEN ZWISCHEN DIESER BEDIENUNGSANLEITUNG UND GELTENDEM RECHT IST LETZTERES MASSGEBLICH.

### **Behördliche Informationen**

---

**Diese Bestimmungen gelten nur für Produkte, die das entsprechende Zeichen oder die entsprechenden Informationen tragen.**

---



## Erklärung zur EU-Konformität



Dieses Produkt und - falls zutreffend - auch das mitgelieferte Zubehör sind mit "CE" gekennzeichnet und entsprechen somit den geltenden harmonisierten europäischen Normen, die unter den Richtlinien 2014/30/EU (EMCD) und 2011/65/EU (RoHS) aufgeführt sind.

Hinweis: Die Produkte mit einer Eingangsspannung von 50 - 1000 VAC oder 75 - 1500 VDC entsprechen der Richtlinie 2014/35/EU (NSR). Die übrigen Produkte entsprechen der Richtlinie 2001/95/EG (GPSD). Prüfen Sie bitte die entsprechenden Angaben zur Stromversorgung.

Warnung: Dies ist ein Produkt der Klasse A. In einer Wohnumgebung kann dieses Produkt Funkstörungen verursachen, die möglicherweise vom Benutzer durch geeignete Maßnahmen zu beseitigen sind.



2012/19/EU (Elektroaltgeräte-Richtlinie): Produkte, die mit diesem Symbol gekennzeichnet sind, dürfen innerhalb der Europäischen Union nicht mit dem Hausmüll entsorgt werden. Für korrektes Recycling geben Sie dieses Produkt an Ihren örtlichen Fachhändler zurück oder entsorgen Sie es an einer der Sammelstellen. Für weitere Informationen siehe: [www.recyclethis.info](http://www.recyclethis.info)



2006/66/EG und deren Änderung 2013/56/EU (Batterie-Richtlinie): Dieses Produkt enthält einen Akku, der innerhalb der Europäischen Union nicht mit dem Hausmüll entsorgt werden darf. Siehe Produktdokumentation für spezifische Hinweise zu Akkus oder Batterien. Der Akku ist mit diesem Symbol gekennzeichnet, das zusätzlich die Buchstaben Cd für Cadmium, Pb für Blei oder Hg für Quecksilber enthalten kann. Für korrektes Recycling geben Sie die Akkus/Batterien an Ihren örtlichen Fachhändler zurück oder entsorgen Sie sie an einer der Sammelstellen. Weitere Informationen finden Sie unter: [www.recyclethis.info](http://www.recyclethis.info).

## INFORMATIONEN FÜR PRIVATE HAUSHALTE

### 1. Getrennte Erfassung von Altgeräten:

Elektro- und Elektronikgeräte, die zu Abfall geworden sind,

werden als Altgeräte bezeichnet. Besitzer von Altgeräten haben diese einer vom unsortierten Siedlungsabfall getrennten Erfassung zuzuführen. Altgeräte gehören insbesondere nicht in den Hausmüll, sondern in spezielle Sammel- und Rückgabesysteme.

## **2. Batterien und Akkus sowie Lampen:**

Besitzer von Altgeräten haben Altbatterien und Altakkumulatoren, die nicht vom Altgerät umschlossen sind, die zerstörungsfrei aus dem Altgerät entnommen werden können, im Regelfall vor der Abgabe an einer Erfassungsstelle vom Altgerät zu trennen. Dies gilt nicht, soweit Altgeräte einer Vorbereitung zur Wiederverwendung unter Beteiligung eines öffentlich-rechtlichen Entsorgungsträgers zugeführt werden.

## **3. Möglichkeiten der Rückgabe von Altgeräten:**

Besitzer von Altgeräten aus privaten Haushalten können diese bei den Sammelstellen der öffentlich-rechtlichen Entsorgungsträger oder bei den von Herstellern oder Vertreibern im Sinne des ElektroG eingerichteten Rücknahmestellen unentgeltlich abgeben. Rücknahmepflichtig sind Geschäfte mit einer Verkaufsfläche von mindestens 400 m<sup>2</sup> für Elektro- und Elektronikgeräte sowie diejenigen Lebensmittelgeschäfte mit einer Gesamtverkaufsfläche von mindestens 800 m<sup>2</sup>, die mehrmals pro Jahr oder dauerhaft Elektro- und Elektronikgeräte anbieten und auf dem Markt bereitstellen. Dies gilt auch bei Vertrieb unter Verwendung von Fernkommunikationsmitteln, wenn die Lager- und Versandflächen für Elektro- und Elektronikgeräte mindestens 400 m<sup>2</sup> betragen oder die gesamten Lager- und Versandflächen mindestens 800 m<sup>2</sup> betragen. Vertreter haben die Rücknahme grundsätzlich durch geeignete Rückgabemöglichkeiten in zumutbarer Entfernung zum jeweiligen Endnutzer zu gewährleisten. Die Möglichkeit der unentgeltlichen Rückgabe eines Altgerätes besteht bei rücknahmepflichtigen Vertreibern unter anderem dann, wenn ein neues gleichartiges Gerät, das im Wesentlichen die gleichen Funktionen erfüllt, an einen Endnutzer abgegeben wird.

## **4. Datenschutz-Hinweis:**

Altgeräte enthalten häufig sensible personenbezogene Daten.

Dies gilt insbesondere für Geräte der Informations- und Telekommunikationstechnik wie Computer und Smartphones. Bitte beachten Sie in Ihrem eigenen Interesse, dass für die Löschung der Daten auf den zu entsorgenden Altgeräten jeder Endnutzer selbst verantwortlich ist.

### **5. Bedeutung des Symbols „durchgestrichene Mülltonne“:**



Das auf Elektro- und Elektronikgeräten regelmäßig abgebildete Symbol einer durchgestrichenen Mülltonne weist darauf hin, dass das jeweilige Gerät am Ende seiner Lebensdauer getrennt vom

unsortierten Siedlungsabfall zu erfassen ist.

### **Sicherheitshinweise**

Diese Anleitungen sollen gewährleisten, dass Sie das Produkt korrekt verwenden, um Gefahren oder Sachschäden zu vermeiden. Bitte lesen Sie alle Sicherheitshinweise sorgfältig durch, bevor Sie das Gerät in Betrieb nehmen.

### **Gesetze und Vorschriften**

Das Gerät muss in Übereinstimmung mit lokalen Gesetzen, Vorschriften zur elektrischen Sicherheit und Brandschutzvorschriften verwendet werden.

### **Transportwesen**

- Bewahren Sie das Gerät beim Transport in der ursprünglichen oder einer vergleichbaren Verpackung auf.
- Lassen Sie das Produkt nicht fallen und vermeiden Sie heftige Stöße. Halten Sie das Gerät von magnetischen Störungen fern.

### **Elektrische Sicherheit**

- **ACHTUNG:** Wenn die Sicherung des Geräts ersetzt werden kann, darf sie nur durch eine Sicherung desselben Typs ersetzt werden, um das Risiko eines Brandes oder elektrischen Schlags zu verringern.
- Wenn eine Sicherung an den Nullleiter angeschlossen ist und eine zweipolige/ neutrale Sicherung auftritt, können Teile des Geräts, die weiterhin unter Spannung stehen, bei Wartungsarbeiten nach dem Auslösen der Sicherung eine Gefahr darstellen.
- Das Gerät muss an einen geerdeten Netzstecker angeschlossen werden.

- Die Steckdose sollte sich in der Nähe des Geräts befinden und muss einfach zugänglich sein.
- Berühren Sie keine blanken Bauteile (wie Metallkontakte der Eingänge) und warten Sie mindestens 5 Minuten, da nach dem Ausschalten des Geräts noch Strom in den Leitungen vorhanden sein kann.
- Wenn das Gerät über Klemmen mit Strom versorgt wird, die mit dem Netzkabel verbunden sind, achten Sie auf die korrekte Spannung und Verkabelung der Klemmen für den Anschluss an ein Stromnetz.

## **Akku**

### Warnung:

- Lassen Sie Produkt und Batterie nicht feucht werden, setzen Sie sie keinem Wasser aus.
- Setzen Sie das Produkt keiner extrem heißen Umgebung aus, bspw. Feuer oder einem heißen Ofen. Das kann zu einer Explosion oder zum Austreten von entflammbarer Flüssigkeit oder Gas führen.
- Geben Sie das Produkt nicht in einen beheizten Behälter, eine Waschmaschine oder einen Druckbehälter.
- Die Umgebung der Produktinstallation muss innerhalb des angegebenen Temperatur- und Feuchtigkeitsbereichs liegen. Vermeiden Sie die Aussetzung direkten Sonnenlichts und die Nähe zu Hindernissen und entflammbaren Substanzen. Andernfalls drohen Gefahren.
- Setzen Sie das Produkt keinem extrem niedrigen Luftdruck aus. Das kann zu einer Explosion oder zum Austreten von entflammbarer Flüssigkeit oder Gas führen.

### Lagerung:

- Die Batterie muss in einem Lager oder einer anderen Umgebung im Innenbereich aufbewahrt werden, wo sie weder Licht noch Wasser ausgesetzt ist. Platzieren Sie die Batterie nicht im direkten Sonnenlicht oder an Orten, an denen sie Regen oder Wasser ausgesetzt sein könnte.
- Anforderungen an Lagertemperatur der Batterie: 10 °C bis 30 °C
- Anforderungen an Lagerfeuchtigkeit der Batterie: ≤60 % relative

## Luftfeuchtigkeit

### Betrieb und Nutzung:

- **Warnung:** Das Gerät enthält eingebaute Akkus, die ohne professionelle Unterstützung nicht demontiert, ersetzt oder modifiziert werden dürfen. Andernfalls besteht die Gefahr von Explosion, Brand oder chemischer Korrosion.
- **Warnung:** Die Batterie darf nicht zerdrückt, durchstoßen, gestoßen, mechanisch erschüttert oder demontiert werden. Wenn die Batterie beschädigt ist, kann sie Hitze, einen Brand oder eine Explosion verursachen.
- **Warnung:** Wenn der Akku beschädigt ist, wenden Sie sich zur Auswechslung an den Kundendienst. Reparieren oder ersetzen Sie die Komponente nicht eigenhändig.
- Der Akku muss im angegebenen Temperaturbereich aufgeladen und entladen werden, und es dürfen sich zur Verhütung von Gefahren während der Aufladung keine Unterstände oder entflammbar Materialien in der Nähe befinden.
- Der Akku sollte teilweise aufgeladen ausgeliefert werden.
- Bei der Prüfung des Akkus sollten Schutzbrille und Handschuhe getragen werden.
- Wenn der Akku leckt und Flüssigkeit auf die Haut oder in die Augen gelangt, spülen Sie diese so bald wie möglich mit sauberem Wasser ab/aus und suchen Sie umgehend medizinische Hilfe auf.
- Wenn der Akku Feuer fängt, löschen Sie dieses mit einem Schaumlöcher, Pulverlöcher oder Löschsand.
- Verwenden Sie das originale und angegebene Akkuladegerät. Falsche Lademethoden und Ladegeräte könnten den Akku beschädigen und dazu führen, dass er Feuer fängt oder andere Probleme auftreten.
- Laden Sie den Akku nicht mit einem defekten Ladegerät auf.
- Stellen Sie die Aufladung nach Erreichen der angegebenen Ladezeit ein. Andernfalls könnte sich der Akku erhitzen, explodieren oder Feuer fangen.

### Anforderungen für die Entsorgung von Altbatterien:

- Batterien/Akkus sind toxisch und gefährlich. Entsorgen Sie Altbatterien/-akkus entsprechend den geltenden nationalen

Gesetzen, Vorschriften und Standards.

### **Brandschutz**

- Stellen Sie keine offenen Flammen, wie zum Beispiel brennende Kerzen, auf das Gerät.
- Bei Geräten mit Lüftungsschlitzen sollten die Lüftungsschlitze nicht mit Gegenständen wie Zeitungen, Tischtüchern und Vorhängen verdeckt werden. Die Lüftungsöffnungen dürfen niemals dadurch verdeckt werden, dass das Gerät auf ein Bett, ein Sofa, einen Teppich oder eine ähnliche Oberfläche gestellt wird.

### **Heiße Oberfläche**



- **ACHTUNG:** Heiße Teile! Nicht anfassen. Sie können sich bei Berührung der Teile Verbrennungen zuziehen. Warten Sie nach dem Ausschalten eine halbe Stunde, bevor Sie die Teile anfassen.

### **Spannungsversorgung**

- Die Eingangsspannung muss einer Stromquelle mit begrenzter Leistung (12 V DC) gemäß der Norm IEC62368 entsprechen. Siehe technische Daten für detaillierte Informationen.
- Stellen Sie sicher, dass der Stecker richtig in der Steckdose steckt.
- Verbinden Sie **NICHT** mehrere Geräte mit einem Netzteil, da es andernfalls durch Überlastung zu einer Überhitzung oder einem Brand kommen kann.
- + kennzeichnet den/die Pluspol(e) von Geräten, die mit Gleichstrom betrieben werden oder Gleichstrom erzeugen. – kennzeichnet den/die Minuspol(e) von Geräten, die mit Gleichstrom betrieben werden oder Gleichstrom erzeugen.

### **Installation**

- Montieren Sie das Gerät gemäß den Hinweisen in dieser Anleitung.
- Um Verletzungen zu vermeiden, muss dieses Gerät gemäß den Installationsanweisungen sicher auf der Montagefläche montiert werden.
- Stellen Sie das Gerät niemals an einem instabilen Ort auf. Es könnte umfallen und schwere oder sogar tödliche Verletzungen

verursachen.

- Das Gerät ist nicht für den Einsatz an Orten geeignet, an denen sich wahrscheinlich Kinder aufhalten.
- Dieses Gerät darf nur mit den entsprechenden Halterungen verwendet werden. Die Verwendung anderer Halterungen (Wagen, Ständer oder Träger) kann zu Instabilität führen und Verletzungen verursachen.

### **Systemsicherheit**

- Bitte nehmen Sie zur Kenntnis, dass Sie die Verantwortung dafür tragen, alle Passwörter und andere Sicherheitseinstellungen für das Gerät zu konfigurieren und Ihren Benutzernamen und Ihr Passwort aufzubewahren.

### **Wartung**

- Falls das Produkt nicht einwandfrei funktionieren sollte, wenden Sie sich an Ihren Händler oder den nächstgelegenen Kundendienst. Wir übernehmen keine Haftung für Probleme, die durch nicht Reparatur- oder Instandhaltungsarbeiten von nicht autorisierten Dritten verursacht werden.
- Wischen Sie das Gerät bei Bedarf sanft mit einem sauberen Tuch und einer geringen Menge Ethanol ab.
- Wenn das Gerät nicht vom Hersteller vorgegebenem Sinne genutzt wird, kann der durch das Gerät bereitgestellte Schutz beeinträchtigt werden.

### **Einsatzumgebung**

- Achten Sie darauf, dass die Betriebsumgebung den Anforderungen des Geräts entspricht. Die Betriebstemperatur muss zwischen -20 °C und 50 °C (-4 °F bis 122 °F) liegen, die Luftfeuchtigkeit muss zwischen 5 % und 95 % betragen.
- Richten Sie das Objektiv NICHT auf die Sonne oder eine andere helle Lichtquelle.
- Setzen Sie das Gerät KEINER hohen elektromagnetischen Strahlung aus.

### **Notruf**

- Stellen Sie sicher, dass die Stromversorgung unterbrochen wurde, bevor Sie das Gerät verkabeln, installieren oder demontieren.
- Sollten sich Rauch, Gerüche oder Geräusche in dem Gerät

entwickeln, so schalten Sie es unverzüglich aus und ziehen Sie den Netzstecker. Wenden Sie sich dann an den Kundendienst.

### **Zeitsynchronisation**

● Stellen Sie die Gerätezeit beim erstmaligen Gebrauch manuell ein, wenn die lokale Zeit nicht mit der des Netzwerks synchronisiert ist. Rufen Sie das Gerät über den Webbrowser/die Client-Software auf und navigieren Sie zur Oberfläche für Zeiteinstellungen.

### **Anschrift des Herstellers**

Raum 313, Einheit B, Gebäude 2, 399 Danfeng-Straße, Gemarkung Xixing, Stadtbezirk Binjiang, Hangzhou, Zhejiang 310052, China  
Hangzhou Microimage Software Co., Ltd.

RECHTLICHER HINWEIS: Die Produkte der Wärmebildkamera-Serie unterliegen unter Umständen in verschiedenen Ländern oder Regionen Exportkontrollen, wie zum Beispiel in den Vereinigten Staaten, der Europäischen Union, dem Vereinigten Königreich und/oder anderen Mitgliedsländern des Wassenaar-Abkommens. Bitte informieren Sie sich bei Ihrem Rechtsexperten oder bei den örtlichen Behörden über die erforderlichen Exportlizenzen, wenn Sie beabsichtigen, die Produkte der Wärmebildkamera-Serie in verschiedene Länder zu transferieren, zu exportieren oder zu reexportieren.



## 1. Resumen

### 1.1 Breve descripción

La cámara termográfica con caja de red (en lo sucesivo, "dispositivo") integra funciones de vigilancia remota por Internet, servidor de vídeo y medición de la temperatura en tiempo real.

La transmisión remota, la previsualización y la configuración se pueden realizar a través de navegadores y clientes. El dispositivo se puede instalar fácilmente sin ningún sistema de cableado estructurado.

Puede utilizarse ampliamente en la producción de alimentos, la industria química diaria, las pruebas de PCBA, la investigación y otros campos.

### 1.2 Funciones

El dispositivo tiene las siguientes funciones:

- Modo Macro.
- Toma de imágenes térmicas.
- Varias paletas.
- Calibrado que garantiza la uniformidad de las imágenes y mejora sus detalles y efectos.
- Algoritmos avanzados de compresión de vídeo que admiten una alta relación de compresión con una tasa de bits ultrabaja.
- NAS con un rendimiento de transferencia de datos rápido y fiable.
- Alarma de umbral de temperatura y otras funciones de medición de la temperatura que pueden analizarse en el cliente.
- TCP/IP, HTTP y otros protocolos.
- Actualización y mantenimiento remotos.

### 1.3 Componente e interfaz (Página 1 – A)

La imagen solo sirve de referencia. Prevalece el dispositivo real.

Núm.	Componente e interfaz	Descripción
1	Lente térmica	Ver la imagen térmica.

2	Dial de modo	Cambia el modo del dispositivo a macro o normal.
3	Rueda de enfoque	Ajusta la longitud focal.
4	Orificio roscado 1/4-20 UNC	Instalación de tornillos.
5	Orificio de Ubicación	Ayuda a alinear el dispositivo con la clavija de posición del adaptador.
6	Indicadores de red	<ul style="list-style-type: none"> <li>● Parpadeante: Se están transmitiendo los datos de red.</li> <li>● Constante: La red está conectada sin transmisión de datos.</li> </ul>
7	Botón de reinicio	Pulse el botón durante 10 s y suéltelo para que se restablezcan los ajustes de fábrica del dispositivo.
8	Tornillo de toma de tierra	Se conecta a la terminal de tierra para garantizar la seguridad eléctrica.
9	Indicador de encendido	<ul style="list-style-type: none"> <li>● Verde fijo: Funcionamiento.</li> <li>● Rojo fijo: El sistema está funcionando.</li> </ul>
10	Toma de terminales	Contiene conectores de 10 clavijas.
11	Interfaz de red	RJ-45, comunicación de red

12	Cable de red	Cuando enchufe el cable de red que se incluye en el paquete, apriete los tornillos del cable para fijarlo.
13	Bloque de terminales	Inserte el bloque de terminales en la toma de terminales y una los cables con referencia a la definición de las clavijas descrita en la tabla siguiente.

#### 1.4 Definición de las clavijas (Página 2 - B)

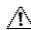
Núm.	Señal	Descripción
1	Encendido	Entrada de alimentación de 12 V CC. Conecte correctamente los terminales positivo y negativo.  * Después de instalar el dispositivo, puede utilizar el adaptador incluido en el paquete para cargarlo.
2	Toma de tierra	
3	RS-232_RX	Comunicación serie RS-232, para depuración del dispositivo.
4	RS-232_TX	
5	ALARM_IN	1 entrada de alarma; 2 salidas de alarma.
6	ALARM_OUTA	
7	ALARM_OUTB	
8	RS485-	Interfaz de comunicación del puerto serie RS-485.
9	RS485+	
10	CVBS	Salida de vídeo analógico.

## 2. Cámara de red, activación y acceso

Vaya a [www.hikmicrotech.com](http://www.hikmicrotech.com) para descargar e instalar HIKMICRO Studio. Consulte el manual de usuario del dispositivo para obtener más información sobre el funcionamiento.

## 3. Instalación

Lea las instrucciones de esta sección antes de instalar el dispositivo.

 **Peligro:** Corte toda la alimentación cuando instale, enchufe o desenchufe el dispositivo para garantizar la seguridad del personal y del dispositivo.

### 3.1 Requisitos previos

Asegúrese de que el dispositivo en el paquete esté en buenas condiciones, compruebe que todas las partes de montaje estén incluidas y prepare las piezas necesarias antes de la instalación.

- Cuando instale el dispositivo, asegúrese de que la temperatura ambiental esté entre  $-20\text{ }^{\circ}\text{C}$  y  $+50\text{ }^{\circ}\text{C}$  y que el nivel de humedad sea  $\leq 90\% \pm 5\%$  sin condensación.
- El dispositivo no es impermeable. No exponga el dispositivo a la luz directa del sol ni lo instale independientemente en entornos exteriores.
- Asegúrese de que haya suficiente espacio para instalar el dispositivo y los accesorios. Consulte las dimensiones (Página 2 - C) del dispositivo, unidad: mm [pulgadas].
- Siga atentamente las instrucciones de seguridad de esta guía durante la instalación.

### 3.2 Instalación del dispositivo

La sección presenta los métodos de montaje del trípode y del soporte del microscopio para su referencia. Seleccione un método de instalación basado en situaciones reales.

#### 3.2.1 Sujeción al trípode (Página 3 - D)

El dispositivo tiene orificios de rosca 1/4-20 UNC y puede fijarse a un trípode y a otros soportes fijos mediante un adaptador 1/4-20 UNC.

#### ***Pasos:***

1. Prepare un adaptador adecuado (②) y utilice un tornillo 1/4-20

UNC para fijar el adaptador al dispositivo (①) mediante los orificios roscados 1/4-20 UNC del dispositivo.

2. Coloque el dispositivo montado y el adaptador en la placa de montaje, y utilice la perilla de liberación (③) del trípode para fijar el dispositivo.

### **3.2.2 Sujeción al soporte del microscopio (Página 4, 5 – E)**

El dispositivo tiene orificios roscados 1/4-20 UNC (⑥) y puede fijarse en soportes de microscopio (③) mediante un adaptador 1/4-20 UNC en macroescenarios.

#### ***Pasos:***

1. Alinee la clavija de posición (①) del adaptador (②) con el orificio de posición (④) del dispositivo.
2. Apriete el tornillo de fijación (⑤) del soporte del microscopio para fijar el dispositivo en el soporte.
3. Ajuste la distancia del objeto y asegúrese de que la distancia entre el dispositivo y el objetivo sea 4,3 cm.
4. Gire el dial de modo al modo Macro (⑦) y, luego, gire la rueda de enfoque (⑧) para alinear los dos pasadores de ubicación (⑨).

### **4 Manual de usuario (Página 4 - F)**

#### **5 Asistencia técnica**

El portal <https://www.hikmicrotech.com/es/contact-us.html> le ayudará, como cliente de HIKMICRO, a obtener el máximo partido a sus productos HIKMICRO. El sitio le ofrece acceso a nuestro equipo de soporte, software y documentación, contactos de servicio, etc.

#### **Cumplimiento normativo e información de seguridad**

Lea detenidamente toda la información y las instrucciones de este documento antes de usar el dispositivo y consérvelo para futuras referencias.

Para obtener más información e instrucciones del dispositivo, visite nuestra página web <https://www.hikmicrotech.com>. También puede consultar el resto de documentos (si hay alguno) que acompañan al dispositivo o escanear el código QR (si hay alguno) del paquete para obtener más información.

## **AVISOS LEGALES**

EN LA MEDIDA MÁXIMA PERMITIDA POR LAS LEYES APLICABLES, ESTE MANUAL Y EL PRODUCTO DESCRITO –INCLUIDOS SU HARDWARE, SOFTWARE Y FIRMWARE– SE SUMINISTRAN «TAL CUAL» Y «CON TODOS SU FALLOS Y ERRORES». HIKMICRO NO OFRECE GARANTÍAS, EXPLÍCITAS O IMPLÍCITAS, INCLUIDAS, A MODO MERAMENTE ENUNCIATIVO MAS NO LIMITATIVO, AQUELLAS DE COMERCIABILIDAD, CALIDAD SATISFACTORIA O IDONEIDAD PARA UN PROPÓSITO EN PARTICULAR. EL USO QUE HAGA DEL PRODUCTO CORRE BAJO SU ÚNICO RIESGO. EN NINGÚN CASO, HIKMICRO PODRÁ CONSIDERARSE RESPONSABLE ANTE USTED DE NINGÚN DAÑO ESPECIAL, CONSECUENTE, INCIDENTAL O INDIRECTO, INCLUYENDO, ENTRE OTROS, DAÑOS POR PÉRDIDAS DE BENEFICIOS COMERCIALES, INTERRUPCIÓN DE LA ACTIVIDAD COMERCIAL, PÉRDIDA DE DATOS, CORRUPCIÓN DE LOS SISTEMAS O PÉRDIDA DE DOCUMENTACIÓN, YA SEA POR INCUMPLIMIENTO DEL CONTRATO, AGRAVIO (INCLUYENDO NEGLIGENCIA), RESPONSABILIDAD DEL PRODUCTO O EN RELACIÓN CON EL USO DEL PRODUCTO, INCLUSO CUANDO HIKMICRO HAYA RECIBIDO UNA NOTIFICACIÓN DE LA POSIBILIDAD DE DICHS DAÑOS O PÉRDIDAS.

USTED RECONOCE QUE LA NATURALEZA DE INTERNET IMPLICA RIESGOS DE SEGURIDAD INHERENTES Y QUE HIKMICRO NO TENDRÁ NINGUNA RESPONSABILIDAD POR NINGÚN FUNCIONAMIENTO ANORMAL, FILTRACIONES DE PRIVACIDAD U OTROS DAÑOS RESULTANTES DE ATAQUES CIBERNÉTICOS, ATAQUES DE PIRATAS INFORMÁTICOS, INFECCIONES DE VIRUS U OTROS RIESGOS DE SEGURIDAD PROPIOS DE INTERNET; NO OBSTANTE, HIKMICRO PROPORCIONARÁ EL APOYO TÉCNICO OPORTUNO DE SER NECESARIO.

USTED ACEPTA USAR ESTE PRODUCTO DE CONFORMIDAD CON TODAS LAS LEYES APLICABLES Y SOLO USTED ES EL ÚNICO RESPONSABLE DE ASEGURAR QUE EL USO CUMPLA CON DICHAS LEYES. EN ESPECIAL, USTED ES RESPONSABLE DE USAR ESTE PRODUCTO DE FORMA QUE NO INFRINJA LOS DERECHOS DE TERCEROS, INCLUYENDO, A MODO ENUNCIATIVO,

DERECHOS DE PUBLICIDAD, DERECHOS DE PROPIEDAD INTELECTUAL, DERECHOS RELATIVOS A LA PROTECCIÓN DE DATOS Y OTROS DERECHOS RELATIVOS A LA PRIVACIDAD. NO UTILIZARÁ ESTE PRODUCTO PARA NINGÚN USO FINAL PROHIBIDO, INCLUYENDO EL DESARROLLO O LA PRODUCCIÓN DE ARMAS DE DESTRUCCIÓN MASIVA, EL DESARROLLO O PRODUCCIÓN DE ARMAS QUÍMICAS O BIOLÓGICAS, NINGUNA ACTIVIDAD EN EL CONTEXTO RELACIONADO CON ALGÚN EXPLOSIVO NUCLEAR O EL CICLO DE COMBUSTIBLE NUCLEAR INSEGURO O EN APOYO DE ABUSOS DE LOS DERECHOS HUMANOS.

EN CASO DE HABER CONFLICTO ENTRE ESTE MANUAL Y LA LEGISLACIÓN VIGENTE, ESTA ÚLTIMA PREVALECE.


### **Información normativa**

---

**Estas cláusulas solo se aplican a los productos que lleven la marca o la información correspondiente.**

---

#### **Declaración de cumplimiento de la UE**

 Este producto y, cuando corresponda, los accesorios incluidos, también tienen la marca "CE" y por tanto cumplen los estándares europeos armonizados

enumerados bajo la directiva 2014/30/UE (EMCD) y la directiva 2011/65/UE (RoHS).

Nota: Los productos con una tensión de entrada de 50 a 1000 VCA o de 75 a 1500 VCD cumplen con la directiva 2014/35/UE (LVD), y el resto de productos cumplen con la directiva 2001/95/CE (GPSD). Consulte la información de alimentación eléctrica específica como referencia.

Advertencia: Este es un producto de clase A. En un entorno doméstico este producto puede ocasionar interferencias radio, en cuyo caso es posible que sea el usuario el responsable de adoptar las medidas adecuadas.



2012/19/UE (directiva RAEE): En la Unión Europea, los productos marcados con este símbolo no pueden ser desechados en el sistema de basura municipal sin recogida selectiva. Para un reciclaje adecuado, entregue este producto en el lugar de compra del equipo nuevo

---

equivalente o deshágase de él en el punto de recogida designado a tal efecto. Para más información visite: [www.recyclethis.info](http://www.recyclethis.info)



2006/66/CE y su enmienda 2013/56/UE (directiva sobre baterías): Este producto lleva una batería que no puede ser desechada en el sistema municipal de basuras sin recogida selectiva dentro de la Unión Europea. Consulte la documentación del producto para ver la información específica de la batería. La batería lleva marcado este símbolo, que incluye unas letras indicando si contiene cadmio (Cd), plomo (Pb), o mercurio (Hg). Para un reciclaje adecuado, entregue la batería a su vendedor o llévela al punto de recogida de basuras designado a tal efecto. Para más información visite: [www.recyclethis.info](http://www.recyclethis.info).

### **Instrucciones de seguridad**

Estas instrucciones están destinadas a garantizar que el usuario pueda utilizar el producto correctamente para evitar peligros o pérdidas materiales. Lea detenidamente toda la información de seguridad antes de usar el dispositivo.

### **Leyes y normativas**

El dispositivo debe ser utilizado cumpliendo con la legislación local y las normativas de seguridad eléctrica y prevención de incendios.

### **Transporte**

- Guarde el dispositivo en su paquete original o en uno similar cuando lo transporte.
- No deje caer el producto ni lo someta a impactos físicos. Mantenga el dispositivo alejado de interferencias magnéticas.

### **Seguridad eléctrica**

- PRECAUCIÓN: Si el fusible del aparato puede sustituirse, sustitúyalo únicamente por otro del mismo modelo para reducir el riesgo de incendio o descarga eléctrica.
- Si un fusible está conectado a un cable neutro y se produce un sistema de fusible de doble polo/neutro, las partes del dispositivo que permanezcan alimentadas pueden representar un peligro durante el mantenimiento después de manipular el fusible.



- El dispositivo debe conectarse a una toma de corriente con conexión a tierra.
- La toma de corriente tiene que estar cerca del equipo y ser de fácil acceso.
- No toque los componentes descubiertos (como los contactos metálicos de las entradas) y espere al menos 5 minutos, ya que puede seguir habiendo electricidad después de apagar el aparato.
- Si el dispositivo se alimenta a través de terminales conectados al cable de alimentación, asegúrese de que la tensión y el cableado de estos son correctos para la conexión a la red eléctrica.

## **Batería**

### Advertencia:

- No moje ni esponga el producto o la batería al agua.
- No deje la batería en lugares con temperaturas muy altas, como un fuego o un horno, ya que se corre el riesgo de explosión y de fuga de líquidos o gases inflamables.
- No deje el producto en recipientes calentados, lavadoras o recipientes a presión.
- El entorno de instalación del producto debe estar dentro de los márgenes de temperatura y humedad especificados, evitar la exposición directa al sol y no estar rodeado de obstáculos o sustancias inflamables, ya que de lo contrario podría ocurrir algún peligro.
- No permita que el producto quede expuesto a una presión de aire extremadamente baja, ya que podría explotar o tener fugas de líquido electrolítico o gas inflamable.

### Almacenamiento:

- La batería se debería guardar dentro de un taller o en otro entorno interior, y no quedar expuesta a la luz del sol ni al agua. No coloque la batería directamente bajo los rayos del sol ni en lugares donde quede expuesta a la lluvia o al agua.
- Requisitos de temperatura de almacenamiento de la batería: 10 °C a 30 °C.
- Requisitos de humedad relativa de almacenamiento de la batería: ≤60% RH.

Funcionamiento y uso:

- **Advertencia:** El dispositivo contiene baterías integradas, las cuales no se deberían desmontar, reemplazar o modificar sin la asistencia de personal profesional. De lo contrario, existe el riesgo de explosión, incendio o corrosión química.
- **Advertencia:** La batería no debe apretarse, perforarse, golpearse, recibir descargas mecánicas ni desmontarse. Si la batería sufre daños, podría calentarse, incendiarse o explotar.
- **Advertencia:** Si la batería sufre daños, contacte con el servicio de posventa para reemplazarla. No repare ni reemplace el componente usted mismo.
- Cargue y descargue la batería dentro de los límites de temperatura especificados, y no lo haga en lugares sin ventilación ni cerca de materiales inflamables, de lo contrario podría sufrir daños.
- La batería debería entregarse parcialmente cargada.
- Cuando compruebe la batería, debería llevar puestos gafas y guantes de protección.
- Si la batería tiene pérdida de líquido y le salpica en la piel o en los ojos, enjuáguese con agua limpia lo antes posible y acuda al médico inmediatamente.
- Si la batería empieza a arder, utilice un extintor de espuma, de polvo seco o de arena seca para apagar el fuego.
- Utilice el cargador de baterías original o el especificado. Los métodos de carga y los cargadores incorrectos pueden dañar la batería, provocar un incendio u otros problemas.
- No cargue la batería con un cargador averiado.
- Detenga la carga una vez transcurrido el tiempo de carga especificado, de lo contrario, la batería podría calentarse, explotar o incendiarse.

Requisitos para eliminar las baterías usadas:

- Las baterías son tóxicas y peligrosas. Elimine las baterías usadas de acuerdo con las leyes, reglamentos y normas nacionales aplicables.

### **Prevención de incendios**

- No coloque llamas descubiertas, como velas encendidas, sobre el dispositivo.

- Para el dispositivo con aberturas de ventilación, las aberturas de ventilación no deben obstruirse cubriéndolas con elementos como periódicos, manteles o cortinas. Nunca se deben bloquear las salidas colocando el equipo sobre una cama, un sofá, una alfombra o una superficie similar.

### **Superficie caliente**



- **PRECAUCIÓN:** ¡Elementos calientes! No tocar. Puede quemarse los dedos al manipular esas partes. Espere media hora después de apagar el equipo para tocar las partes.

### **Fuente de alimentación**

- El voltaje de entrada debe cumplir con los requisitos de fuente de alimentación de potencia limitada (12 VCC) de conformidad con la norma IEC62368. Consulte las especificaciones técnicas para obtener información detallada.
- Asegúrese de que el enchufe esté correctamente conectado a la toma de corriente.
- **NO** conecte múltiples dispositivos a un mismo adaptador de corriente, para evitar el sobrecalentamiento y los riesgos de incendio por sobrecarga.
- + identifica los terminales positivos de los equipos que se utilizan con corriente continua o que la generan. - identifica los terminales negativos de los equipos que se utilizan con corriente continua o que la generan.

### **Instalación**

- Instale el dispositivo siguiendo las instrucciones de este manual.
- Para evitar lesiones, este dispositivo debe fijarse firmemente a la superficie de instalación de acuerdo con las instrucciones de instalación.
- No coloque nunca el equipo en una ubicación inestable. El equipo podría caer y provocar graves lesiones o la muerte.
- Este equipo no es adecuado para utilizarlo en lugares donde pueda haber niños.
- Este equipo está diseñado para usarse solo con los soportes correspondientes. Su uso con otro tipo de soporte (carros,

estantes o transportadores) podría ser inestable y ocasionar lesiones.

### **Seguridad del sistema**

- Recuerde que es su responsabilidad instalar las contraseñas y las demás configuraciones de seguridad del dispositivo. Proteja su nombre de usuario y contraseña.

### **Mantenimiento**

- Si el producto no funciona correctamente, por favor, póngase en contacto con su distribuidor o con el centro de servicio técnico más próximo. No nos haremos responsables de los problemas derivados de una reparación o mantenimiento no autorizados.

- Limpie suavemente el dispositivo con una gamuza limpia con una pequeña cantidad de etanol, si fuese necesario.

- Si se utiliza el equipo de una manera no especificada por el fabricante, la protección del dispositivo podría verse mermada.

### **Entorno de uso**

- Compruebe que el entorno de uso se adapte a los requisitos del dispositivo. La temperatura de funcionamiento debe estar entre -20 °C y 50 °C, y la humedad de funcionamiento debe ser entre el 5 % y el 95 %.

- NO oriente la lente hacia el sol ni a otras luces brillantes.

- NO exponga el dispositivo a radiaciones electromagnéticas intensas.

### **Emergencia**

- Asegúrese de que se ha cortado la alimentación eléctrica antes de conectar, instalar o desmontar el dispositivo.

- Si hay presencia de humo, olores o ruidos procedentes del dispositivo, apague la alimentación inmediatamente, desenchufe el cable de alimentación y contacte con el servicio técnico.

### **Sincronización de hora**

- En el caso de que la hora local no esté sincronizada con la hora de la red, ajuste la hora manualmente la primera vez que acceda. Acceda al dispositivo usando el navegador web/software cliente y entre en la interfaz de ajuste de la hora.

### **Dirección de fabricación**

Habitación 313, Unidad B, Edificio 2, Carretera de Danfeng 399,

Subdistrito de Xixing, Distrito de Binjiang, Hangzhou, Zhejiang  
310052, China  
Hangzhou Microimage Software Co., Ltd.

**AVISO DE CONFORMIDAD:** Los productos de las series térmicas podrían estar sujetos a controles de exportación en algunos países o regiones; entre ellos, por ejemplo, los Estados Unidos, la Unión Europea, el Reino Unido y/o otros países miembros del Arreglo de Wassenaar. Consulte con algún experto en cumplimiento normativo y legal o con las autoridades gubernamentales locales para cumplir con los requisitos de licencia de exportación necesarios si desea transferir, exportar o reexportar los productos de las series térmicas entre distintos países.

## 1 Panoramica

### 1.1 Breve descrizione

La termocamera di rete a cassetta (di seguito denominata "dispositivo") integra funzioni di sorveglianza Internet da remoto, server video e misurazione della temperatura in tempo reale.

Funzioni quali trasmissione da remoto, anteprima e configurazioni possono essere eseguite tramite browser e client. L'installazione del dispositivo è semplice e non necessita di alcun sistema di cablaggio strutturato.

Il dispositivo può essere utilizzato nei settori della produzione alimentare, dei prodotti chimici di uso quotidiano, dei test PCBA, della ricerca e in altri campi.

### 1.2 Funzionalità

Di seguito sono indicate le funzionalità del dispositivo:

- Modalità macro.
- Immagini termiche.
- Varie tavolozze.
- Calibrazione che oltre a garantire l'uniformità delle immagini, ne migliora i dettagli e gli effetti.
- Potenti algoritmi di compressione video che supportano un rapporto di compressione elevato a una velocità in bit ultraridotta.
- NAS che offre prestazioni di trasferimento dei dati veloci e affidabili.
- Allarme di soglia di temperatura e altre funzioni di misurazione della temperatura che possono essere analizzati sul client.
- TCP/IP, HTTP e altri protocolli.
- Aggiornamento e manutenzione remoti.

### 1.3 Componenti e interfaccia (pagina 1 – A)

L'immagine è fornita solo a scopo di riferimento. Fare riferimento al dispositivo effettivo.

N.	Componenti e interfaccia	Descrizione
1	Obiettivo termico	Mostra l'immagine

		termografica.
2	Selettore di modalità	Passa il dispositivo alla modalità macro o alla modalità normale.
3	Rotella di messa a fuoco	Regola la distanza focale.
4	Foro filettato UNC 1/4-20	Montaggio delle viti.
5	Foro di posizionamento	Consente di allineare il dispositivo al perno di posizionamento sull'adattatore.
6	Indicatori di rete	<ul style="list-style-type: none"> <li>● Lampeggiante: trasmissione dei dati di rete.</li> <li>● Fisso: la rete è connessa ma non vengono trasmessi dati.</li> </ul>
7	Pulsante di ripristino	Tenere premuto il pulsante per 10 secondi e rilasciarlo per ripristinare le impostazioni di fabbrica del dispositivo.
8	Vite di messa a terra	Connettere la vite al terminale di messa terra per garantire la sicurezza elettrica.
9	Indicatore di alimentazione	<ul style="list-style-type: none"> <li>● Verde fisso: Di esercizio.</li> <li>● Rosso fisso: elaborazione in corso.</li> </ul>

10	Presca con morsetti	Contiene 10 connettori pin.
11	Interfaccia di rete	RJ-45, comunicazione di rete
12	Cavo di rete	Quando si collega il cavo di rete incluso nella confezione, stringere le viti sul cavo per fissarlo.
13	Morsettiera	Inserire la morsettiera nella presa con morsetti e collegare i fili facendo riferimento alla definizione dei pin disponibile nella tabella seguente.

#### 1.4 Definizione dei pin (pagina 2 – B)

N.	Segnale	Descrizione
1	Alimentazione	Ingresso di alimentazione 12 V CC. Collegare i terminali positivo e negativo correttamente.  *Dopo aver installato il dispositivo, è possibile utilizzare l'alimentatore incluso nella confezione per caricare il dispositivo.
2	GND	
3	RS-232_RX	Comunicazione seriale RS-232, per il debug del dispositivo.
4	RS-232_TX	
5	ALARM_IN	1 ingresso e 2 uscite di allarme.
6	ALARM_OUTA	




7	ALARM_OUTB	
8	RS485-	Porta seriale di comunicazione RS-485.
9	RS485+	
10	CVBS	Uscita video analogica.

## 2 Attivazione e accesso alla telecamera di rete

Visitare il sito [www.hikmicrotech.com](http://www.hikmicrotech.com) per scaricare e installare HIKMICRO Studio. Per informazioni dettagliate, consultare il manuale di istruzioni del dispositivo.

## 3 Installazione

Leggere le istruzioni contenute in questa sezione prima di installare il dispositivo.

 **Pericolo:** Disattivare l'alimentazione quando si installa, si collega o si scollega il dispositivo per garantire la sicurezza del personale e del dispositivo.

### 3.1 Prerequisiti

Assicurarsi che il dispositivo incluso nella confezione sia in buone condizioni e che siano presenti tutte le parti necessarie per l'assemblaggio. Preparare le parti necessarie prima di procedere all'installazione.

- Durante l'installazione del dispositivo, assicurarsi che la temperatura ambientale sia compresa tra  $-20\text{ }^{\circ}\text{C}$  e  $+50\text{ }^{\circ}\text{C}$  e che il livello di umidità sia pari a  $\leq 90\% \pm 5\%$  senza formazione di condensa.
- Il dispositivo non è impermeabile. Non esporre il dispositivo alla luce solare diretta né installarlo da solo in ambienti esterni.
- Controllare che ci sia spazio sufficiente per installare il dispositivo e i relativi accessori. Vedere le dimensioni del dispositivo (pagina 2 – C), unità: mm [pollice].
- Seguire attentamente le Istruzioni per la sicurezza contenute in questa guida durante l'installazione.

### 3.2 Installazione del dispositivo

Questa sezione descrive i metodi di montaggio del treppiede e del supporto del microscopio che vengono forniti come

riferimento. Selezionare un metodo di installazione in base allo scenario effettivo.

### **3.2.1 Collegamento al treppiede (pagina 3 – D)**

Il dispositivo dispone di fori filettati UNC 1/4-20 e può essere collegato a un treppiede e ad altri supporti fissi tramite l'adattatore UNC 1/4-20.

#### ***Procedura:***

1. Preparare un adattatore idoneo (②) e utilizzare la vite UNC 1/4-20 per fissarlo al dispositivo (①) tramite i fori filettati UNC 1/4-20 sul dispositivo.
2. Posizionare il dispositivo e l'adattatore assemblati sulla piastra di montaggio, quindi utilizzare la manopola di rilascio (③) sul treppiede per fissare il dispositivo.

### **3.2.2 Collegamento al supporto del microscopio (pagina 4, 5 – E)**

Il dispositivo dispone di fori filettati UNC 1/4-20 (⑥) e può essere fissato su supporti per microscopi (③) utilizzando l'adattatore UNC 1/4-20 negli scenari macro.

#### ***Procedura:***

1. Allineare il perno di posizionamento (①) sull'adattatore (②) al foro di posizionamento (④) sul dispositivo.
2. Stringere la vite di fissaggio (⑤) sul supporto del microscopio per fissare il dispositivo al supporto.
3. Regolare la distanza dell'oggetto e assicurarsi che la distanza tra il dispositivo e il bersaglio sia 4,3 cm.
4. Ruotare il selettore di modalità sulla modalità Macro (⑦), quindi girare la rotella di messa a fuoco (⑧) per allineare i due perni di posizionamento (⑨).

## **4 Manuale dell'utente (pagina 4 – F)**

### **5 Assistenza tecnica**

I clienti HIKMICRO troveranno sul portale <https://www.hikmicrotech.com/en/contact-us.html> tutte le indicazioni necessarie a ottenere il massimo dai propri prodotti HIKMICRO. Il portale permette di accedere al nostro team di assistenza, offre documentazione e strumenti software, contatti per i servizi e molto altro.

## **Conformità normativa e informazioni sulla sicurezza**

Leggere accuratamente tutte le informazioni e le istruzioni riportate in questo documento prima di usare il dispositivo e conservarlo per consultazioni future.

Per ulteriori informazioni e istruzioni sul dispositivo, consultare il nostro sito web <https://www.hikmicrotech.com>. Per ulteriori informazioni, è possibile consultare altri documenti (se disponibili) in dotazione con il dispositivo o scansionare il codice QR sulla confezione (se presente).

## **ESCLUSIONE DI RESPONSABILITÀ**

NELLA MISURA MASSIMA CONSENTITA DALLA LEGGE VIGENTE, QUESTO MANUALE E IL PRODOTTO DESCRITTO, CON IL SUO HARDWARE, SOFTWARE E FIRMWARE, SONO FORNITI "COSÌ COME SONO" E "CON TUTTI I DIFETTI E GLI ERRORI". HIKMICRO NON RILASCI ALCUNA GARANZIA, NÉ ESPRESSA NÉ IMPLICITA COME, SOLO A TITOLO DI ESEMPIO, GARANZIE DI COMMERCIALIZZABILITÀ, QUALITÀ SODDISFACENTE O IDONEITÀ PER UN USO SPECIFICO. L'UTENTE UTILIZZA IL PRODOTTO A PROPRIO RISCHIO. HIKMICRO DECLINA QUALSIASI RESPONSABILITÀ VERSO L'UTENTE IN RELAZIONE A DANNI SPECIALI, CONSEGUENZIALI E INCIDENTALI, COMPRESI, TRA GLI ALTRI, I DANNI DERIVANTI DA MANCATO PROFITTO, INTERRUZIONE DELL'ATTIVITÀ O PERDITA DI DATI, DANNEGGIAMENTO DI SISTEMI O PERDITA DI DOCUMENTAZIONE, DERIVANTI DA INADEMPIENZA CONTRATTUALE, ILLECITO (COMPRESA LA NEGLIGENZA), RESPONSABILITÀ PER DANNI AI PRODOTTI O ALTRIMENTI IN RELAZIONE ALL'USO DEL PRODOTTO, ANCHE QUALORA HIKMICRO SIA STATA INFORMATA DELLA POSSIBILITÀ DI TALI DANNI O PERDITE.

L'UTENTE RICONOSCE CHE LA NATURA DI INTERNET PREVEDE RISCHI DI SICUREZZA INTRINSECI E CHE HIKMICRO DECLINA QUALSIASI RESPONSABILITÀ IN RELAZIONE A FUNZIONAMENTI ANOMALI, VIOLAZIONE DELLA RISERVATEZZA O ALTRI DANNI RISULTANTI DA ATTACCHI INFORMATICI, INFEZIONE DA VIRUS O ALTRI RISCHI LEGATI ALLA SICUREZZA SU INTERNET;

TUTTAVIA, HIKMICRO FORNIRÀ TEMPESTIVO SUPPORTO TECNICO, SE NECESSARIO.

L'UTENTE ACCETTA DI UTILIZZARE IL PRODOTTO IN CONFORMITÀ A TUTTE LE LEGGI VIGENTI E DI ESSERE IL SOLO RESPONSABILE DI TALE UTILIZZO CONFORME. IN PARTICOLARE, L'UTENTE È RESPONSABILE DEL FATTO CHE L'UTILIZZO DEL PRODOTTO NON VIOLI DIRITTI DI TERZI COME, SOLO A TITOLO DI ESEMPIO, DIRITTI DI PUBBLICITÀ, DIRITTI DI PROPRIETÀ INTELLETTUALE O DIRITTI RELATIVI ALLA PROTEZIONE DEI DATI E ALTRI DIRITTI RIGUARDANTI LA PRIVACY. NON È CONSENTITO UTILIZZARE QUESTO PRODOTTO PER SCOPI PROIBITI, COME, TRA GLI ALTRI, LA PRODUZIONE DI ARMI DI DISTRUZIONE DI MASSA, LO SVILUPPO O LA PRODUZIONE DI ARMI CHIMICHE O BIOLOGICHE, QUALSIASI ATTIVITÀ SVOLTA IN CONTESTI CORRELATI A ESPLOSIVI NUCLEARI O COMBUSTIBILI NUCLEARI NON SICURI O ATTIVITÀ CHE CAUSINO VIOLAZIONI DEI DIRITTI UMANI.

IN CASO DI CONFLITTO TRA IL PRESENTE MANUALE E LA LEGGE VIGENTE, PREVARRÀ QUEST'ULTIMA.


### **Informazioni sulle norme**

---

**Queste clausole si applicano solo ai prodotti recanti il marchio o le informazioni corrispondenti.**

---

### **Dichiarazione di conformità UE**

 Il presente prodotto e gli eventuali accessori in dotazione sono contrassegnati con il marchio "CE" e sono quindi conformi alle norme europee armonizzate vigenti di cui alla Direttiva 2014/30/UE (CEM) e alla Direttiva 2011/65/UE (RoHS).

Nota: I prodotti con una tensione in ingresso compresa tra 50 e 1.000 V CA o tra 75 e 1.500 V CC sono conformi alla direttiva 2014/35/UE (direttiva Bassa Tensione); gli altri prodotti sono conformi alla direttiva 2001/95/CE (relativa alla sicurezza generale dei prodotti). Fare riferimento alle informazioni specifiche sull'alimentazione.

Avvertenza: il presente prodotto è un dispositivo di Classe A. Il prodotto può causare interferenze radio in ambienti residenziali;

---

in tal caso l'utente dovrà adottare contromisure adeguate.



2012/19/UE (Direttiva RAEE): i prodotti contrassegnati con il presente simbolo non possono essere smaltiti come rifiuti domestici indifferenziati nell'Unione

europea. Per lo smaltimento corretto, restituire il prodotto al rivenditore in occasione dell'acquisto di un nuovo dispositivo o smaltirlo nei punti di raccolta autorizzati. Ulteriori informazioni sono disponibili sul sito: [www.recyclethis.info](http://www.recyclethis.info)



2006/66/CE e revisioni 2013/56/UE (direttiva sulle batterie): questo prodotto contiene una batteria e non è possibile smaltirlo con i rifiuti domestici indifferenziati nell'Unione europea. Consultare la documentazione del

prodotto per le informazioni specifiche sulla batteria. La batteria è contrassegnata con il presente simbolo, che potrebbe includere le sigle di cadmio (Cd), piombo (Pb) o mercurio (Hg). Per lo smaltimento corretto, restituire la batteria al rivenditore locale o smaltirla nei punti di raccolta autorizzati. Ulteriori informazioni sono disponibili sul sito: [www.recyclethis.info](http://www.recyclethis.info).

### **Istruzioni per la sicurezza**

Le presenti istruzioni hanno lo scopo di garantire che il prodotto venga utilizzato in modo corretto, evitando situazioni di pericolo o danni materiali. Leggere accuratamente le informazioni di sicurezza prima dell'uso.

### **Leggi e regolamenti**

Il dispositivo deve essere utilizzato rispettando le leggi locali, le norme sulla sicurezza elettrica e le norme sulla prevenzione degli incendi.

### **Trasporto**

- Per trasportare il dispositivo, riporlo nella confezione originale o in una analoga.
- Non lasciar cadere il prodotto e non sottoporlo a impatti. Tenere il dispositivo lontano dai campi magnetici.

### **Sicurezza elettrica**

- **ATTENZIONE:** Se il fusibile del dispositivo è sostituibile, utilizzare solo un ricambio dello stesso modello per ridurre il rischio di incendi o scosse elettriche.

- Se un fusibile è collegato al conduttore di neutro e si bruciano entrambi i fusibili polare/neutro, le parti del dispositivo che rimangono sotto tensione potrebbero rappresentare un pericolo durante la manutenzione dopo l'attivazione del fusibile.
- Il dispositivo deve essere collegato a una presa di corrente dotata di messa a terra.
- La presa deve essere vicina al dispositivo e facilmente accessibile.
- Non toccare i componenti scoperti (come i contatti metallici delle prese) e attendere almeno 5 minuti dopo lo spegnimento dell'interruttore, perché è possibile che sia presente dell'elettricità residua.
- Se il dispositivo è alimentato da terminali collegati al cavo di alimentazione, verificare che la tensione e il cablaggio dei terminali di connessione alla presa di corrente siano corretti.

## **Batteria**

### Avvertenza:

- Non bagnare il prodotto e la batteria ed evitare che entrino a contatto con l'acqua.
- Non sottoporre il prodotto a temperature estremamente alte, come quelle causate dal fuoco o da un forno: possono verificarsi esplosioni o perdite di liquidi o gas infiammabili.
- Non sottoporre il prodotto a contenitori riscaldati, lavatrici o contenitori in pressione.
- Nell'ambiente di installazione del prodotto, la temperatura e l'umidità devono rientrare nell'intervallo specificato, occorre evitare l'esposizione diretta al sole e non devono essere presenti ostacoli né sostanze infiammabili, altrimenti potrebbero verificarsi dei pericoli.
- Non sottoporre il prodotto a una pressione atmosferica estremamente bassa: potrebbe esplodere o perdere liquidi o gas infiammabili.

### Di conservazione:

- La batteria deve essere conservata in un magazzino o in un altro ambiente interno riparato dalla luce e dall'acqua. Non sottoporre la batteria alla luce solare diretta e non posizionarla in aree che potrebbero essere esposte alla pioggia o all'acqua.

● Requisiti per la temperatura di stoccaggio della batteria: da 10 °C a 30 °C.

● Requisiti per l'umidità relativa di stoccaggio della batteria: ≤ 60% di umidità relativa.

Funzionamento e utilizzo:

● Avvertenza: Il dispositivo contiene batterie integrate, che non devono essere smontate, sostituite o modificate senza l'assistenza di un tecnico professionista. Altrimenti esiste il rischio di esplosione, incendio o corrosione da sostanze chimiche.

● Avvertenza: La batteria non deve essere schiacciata, forata, colpita, sottoposta a impatti meccanici o smontata. Le batterie danneggiate possono emettere calore e causare incendi o esplosioni.

● Avvertenza: Se la batteria è danneggiata, rivolgersi all'assistenza post-vendita per sostituirla. Non riparare né sostituire il componente da soli.

● Caricare e scaricare la batteria nell'intervallo di temperatura specificato; durante la ricarica non devono essere presenti ostacoli né materiali infiammabili nelle vicinanze, altrimenti potrebbero verificarsi pericoli.

● La batteria viene consegnata parzialmente carica.

● Quando si controlla la batteria, indossare occhiali di protezione e guanti.

● Se la batteria perde liquidi che entrano a contatto con la pelle o con gli occhi, sciacquare appena possibile con acqua pulita e rivolgersi immediatamente un medico.

● Se la batteria si incendia, estinguere il fuoco utilizzando un estintore a schiuma, un estintore a polvere secca o della sabbia antincendio.

● Utilizzare il caricabatterie originale o quello specificato. Eventuali metodi di ricarica e caricabatterie errati possono danneggiare la batteria, causando incendi e altri problemi.

● Non caricare la batteria con un caricabatterie difettoso.

● Una volta raggiunto il tempo di carica specificato, interrompere la carica altrimenti la batteria potrebbe riscaldarsi, esplodere o incendiarsi.

Requisiti per lo smaltimento delle batterie usate:

- Le batterie contengono sostanze tossiche e pericolose. Smaltire le batterie non più utilizzabili rispettando le leggi, i regolamenti e le norme nazionali vigenti.

### **Prevenzione degli incendi**

- Non posizionare fiamme libere, come candele accese, sopra il dispositivo.
- Per il dispositivo con aperture di ventilazione, non ostruire tali aperture coprendole con oggetti come giornali, tovaglie o tende. Le aperture non devono essere mai ostruite posizionando il dispositivo su letti, divani, tappeti o superfici simili.

### **Superficie calda**



- **ATTENZIONE:** Elementi caldi! Non toccare. Rischio di ustioni alle dita se si maneggiano questi elementi. Attendere mezz'ora dallo spegnimento prima di toccare gli elementi del dispositivo.

### **Alimentazione**

- La tensione in ingresso deve essere conforme alla norma IEC62368 sulla fonti di alimentazione limitate (12 V CC). Per informazioni dettagliate, consultare le specifiche tecniche.
- Verificare che la spina sia correttamente inserita nella presa di corrente.
- **NON** collegare più dispositivi allo stesso alimentatore per evitare rischi di surriscaldamento o di incendio da sovraccarico.
- Il simbolo + indica il terminale positivo dell'apparecchiatura alimentata o che genera corrente continua. Il simbolo - indica il terminale negativo dell'apparecchiatura alimentata o che genera corrente continua.

### **Installazione**

- Installare il dispositivo seguendo le istruzioni nel presente manuale.
- Per evitare il rischio di lesioni personali, questo dispositivo deve essere fissato saldamente alla superficie di installazione, come indicato nelle relative istruzioni.
- Non posizionare mai l'apparecchio in una posizione instabile. L'apparecchio potrebbe cadere, causando lesioni personali gravi



e anche mortali.

- Non utilizzare il dispositivo in ambienti in cui possono essere presenti bambini.
- La presente attrezzatura deve essere usata solo con le staffe adeguate. L'uso con altri componenti (carrelli, sostegni o contenitori) potrebbe causare l'instabilità dell'apparecchio e il rischio di lesioni personali.

### **Sicurezza del sistema**

- L'utente ha la responsabilità di configurare tutte le password e le altre impostazioni di sicurezza relative al dispositivo e di conservare nome utente e password in modo sicuro.

### **Manutenzione**

- Se il prodotto non funziona correttamente, rivolgersi al rivenditore o al centro di assistenza più vicino. Decliniamo qualsiasi responsabilità in relazione a problemi causati da interventi di riparazione o manutenzione non autorizzati.
- Se necessario, pulire delicatamente il dispositivo con un panno pulito imbevuto di una piccola quantità di alcool etilico.
- Se il dispositivo viene utilizzato in un modo non approvato dal produttore la garanzia potrebbe essere annullata.

### **Ambiente di utilizzo**

- Verificare che l'ambiente di utilizzo sia conforme ai requisiti del dispositivo. La temperatura di esercizio deve essere compresa tra -20 °C e 50 °C; l'umidità operativa deve essere compresa tra il 5 e il 95%.
- NON orientare l'obiettivo verso il sole o altre luci intense.
- NON esporre il dispositivo a radiazioni elettromagnetiche intense.

### **Emergenza**

- Controllare che l'alimentazione sia interrotta, prima di cablare, installare o disassemblare il dispositivo.
- Se il dispositivo emette fumo, odori o rumori, spegnerlo immediatamente e scollegare il cavo di alimentazione, quindi rivolgersi a un centro di assistenza.

### **Sincronizzazione dell'ora**

- Se l'ora locale non è sincronizzata con quella della rete, impostare l'ora del dispositivo manualmente al primo accesso.

Accedere al dispositivo tramite un browser web o un software client e passare all'interfaccia delle impostazioni dell'ora.

**Indirizzo del produttore**

Stanza 313, unità B, edificio 2, via Danfeng 399, subdistretto Xixing, distretto Binjiang, Hangzhou, Zhejiang, 310052, Cina  
Hangzhou Microimage Software Co., Ltd.

**AVVISO SULLA CONFORMITÀ:** i prodotti termografici potrebbero essere soggetti a controlli sulle esportazioni in vari Paesi o regioni, tra cui Stati Uniti, Unione europea, Regno Unito e/o altri Paesi membri dell'accordo di Wassenaar. Consultare un legale o un esperto di conformità o le autorità governative locali per eventuali requisiti di licenza di esportazione necessari se si intende trasferire, esportare, riesportare i prodotti termografici tra diversi Paesi.

## 1 Descrição geral

### 1.1 Breve descrição

A câmara tipo box de rede termográfica (doravante referida como o “dispositivo”) integra vigilância remota pela internet, servidor de vídeo e funções de medição da temperatura em tempo real.

A transmissão remota, a pré-visualização e a configuração podem ser feitas por intermédio de navegadores e de clientes. O dispositivo pode ser facilmente instalado sem qualquer sistema de cablagem estruturado.

Pode ser amplamente utilizado na produção alimentar, indústria química, testes PCBA, investigação e outros setores.

### 1.2 Funcionalidades

O dispositivo tem as seguintes funcionalidades:

- Modo Macro.
- Processamento de imagens termográficas.
- Múltiplas paletas.
- Calibração que garante a uniformidade de imagens e melhora os detalhes e efeitos de imagem.
- Potentes algoritmos de compressão de vídeo que suportam uma alta taxa de compressão a uma velocidade de bits ultrabaixa.
- NAS com um desempenho de transferência de dados rápido e fiável.
- Alarme de limiar da temperatura e outras funções de medição da temperatura que podem ser analisadas no cliente.
- TCP/IP, HTTP e outros protocolos.
- Atualização e manutenção remotas.

### 1.3 Componentes e interface (Página 1 – A)

O aspeto serve apenas de referência. Prevalece o dispositivo real.

N.º	Componentes e Interface	Descrição
1	Lente térmica	Ver a imagem térmica.

2	Botão de modo	Mude o dispositivo para o modo macro ou modo normal.
3	Roda de focagem	Ajustar a distância de focagem.
4	Orifício de passagem UNC 1/4-20	Instalar os parafusos.
5	Orifício de localização	Ajuda a alinhar o dispositivo com o pino de posição no adaptador.
6	Indicadores da rede	<ul style="list-style-type: none"> <li>● Intermitente: Transmitir dados de rede.</li> <li>● Fixo: A rede está ligada, mas não há transmissão de dados.</li> </ul>
7	Botão de reinicialização	Prima durante 10 segundos e solte o botão, o dispositivo vai repor as definições de fábrica.
8	Parafuso de terra	Ligar ao terminal de ligação à terra para garantir a segurança elétrica.
9	Indicador de alimentação	<ul style="list-style-type: none"> <li>● Verde fixo: Funcionamento.</li> <li>● Vermelho fixo: O sistema está em</li> </ul>

		funcionamento.
10	Tomada de terminal	Contém 10 conectores com pinos.
11	Interface de rede	RJ-45, comunicação de rede
12	Cabo de rede	Quando ligar o cabo de rede na embalagem, aperte os parafusos no cabo para o fixar.
13	Bloco de terminais	Insira o bloco de terminais na tomada de terminal e junte os cabos tendo como referência a definição de pino descrita na seguinte tabela.

#### 1.4 Definição de pino (Página 2 – B)

N.º	Sinal	Descrição
1	Alimentação	Entrada de alimentação de 12 V CC. Ligue os terminais positivo e negativo de forma correta.  *Depois de instalar o dispositivo, pode utilizar o adaptador na embalagem para carregar o dispositivo.
2	GND	
3	RS-232_RX	Comunicação em série RS-232, para depuração do dispositivo.
4	RS-232_TX	
5	ALARM_IN	1 Entrada de alarme; 2 Saídas de alarme.
6	ALARM_OUTA	


7	ALARM_OUTB	
8	RS485-	Interface de comunicação de porta de série RS-485.
9	RS485+	
10	CVBS	Saída de vídeo analógico.

## 2 Ativação e acesso à câmara de rede

Visite [www.hikmicrotech.com](http://www.hikmicrotech.com) para transferir e instalar o HIKMICRO Studio. Consulte o manual do utilizador do dispositivo para obter informações detalhadas sobre o funcionamento.

## 3 Instalação

Leia as instruções nesta secção antes de instalar o dispositivo.

 **Perigo:** De modo a garantir a segurança do pessoal e do dispositivo, desligue a corrente durante os processos para instalar, ligar e desligar o dispositivo.

### 3.1 Pré-requisitos

Certifique-se de que o dispositivo na embalagem está em boas condições, que todas as peças de montagem estão incluídas e prepare as peças necessárias antes da instalação.

- Quando instalar o dispositivo, certifique-se de que a temperatura ambiente se situa entre os  $-20\text{ }^{\circ}\text{C}\sim+50\text{ }^{\circ}\text{C}$  e que o nível de humidade é  $\leq 90\%\pm 5\%$  sem condensação.
- O dispositivo não é à prova de água. Não exponha o dispositivo à luz solar direta nem instale o dispositivo de forma independente em ambientes ao ar livre.
- Certifique-se de que existe espaço suficiente para instalar o dispositivo e respetivos acessórios. Consulte a dimensão (Página 2 – C) do dispositivo, unidade: mm [polegadas].
- Siga atentamente as Instruções de segurança neste guia durante a instalação.

### 3.2 Instalar o dispositivo

A secção indica os métodos de montagem do suporte do tripé e do microscópio para referência do utilizador. Selecione um método de instalação com base em cenários reais.

#### 3.2.1 Fixar ao tripé (Página 3 – D)

O dispositivo tem orifícios de passagem UNC 1/4-20 e pode ser fixado a um tripé e a outras estruturas fixas através de um adaptador UNC 1/4-20.

***Passos:***

1. Prepare um adaptador adequado (②) e utilize um parafuso UNC 1/4-20 para fixar o adaptador ao dispositivo (①) através dos orifícios de passagem UNC 1/4-20 no dispositivo.
2. Coloque o dispositivo montado e o adaptador na placa de montagem, e utilize o botão de desengate (③) no tripé para fixar o dispositivo.

### **3.2.2 Fixar ao suporte de microscópio (Página 4 – E)**

O dispositivo tem orifícios de passagem UNC 1/4-20 (⑥) e pode ser fixado em suportes de microscópio (③) através de um adaptador UNC 1/4-20 em cenários de utilização de microscópios.

***Passos:***

1. Alinhe o pino de posição (①) no adaptador (②) com o orifício de posicionamento (④) no dispositivo.
2. Aperte o parafuso de fixação (⑤) no suporte de microscópio para fixar o dispositivo ao suporte.
3. Ajuste a distância do objeto e certifique-se de que a distância entre o dispositivo e o alvo é de 4,3 cm.
4. Rode o botão de modo para o Modo macro (⑦) e, em seguida, rode a roda de focagem (⑧) para alinhar os dois pinos de localização (⑨).

## **4 Manual do utilizador (Página 4 – F)**

### **5 Suporte técnico**

Enquanto cliente da HIKMICRO, o portal <https://www.hikmicrotech.com/en/contact-us.html> irá ajudá-lo a tirar o máximo partido dos seus produtos HIKMICRO. O portal dá-lhe acesso à nossa equipa de apoio ao cliente, software, documentação, contactos de serviço, etc.

### **Conformidade regulamentar e informações relacionadas com a segurança**

Leia atentamente todas as informações e instruções presentes neste documento antes de utilizar o dispositivo e guarde-o para futura consulta.

Para mais informações e instruções relativas ao dispositivo, visite o nosso website em <https://www.hikmicrotech.com>. Também pode consultar outros documentos (se existentes) que acompanhem o dispositivo, ou fazer a leitura do código QR (se existente) na embalagem para obter mais informações.

### **EXCLUSÃO DE RESPONSABILIDADE LEGAL**

NA MEDIDA MÁXIMA PERMITIDA PELA LEI APLICÁVEL, ESTE MANUAL E O PRODUTO DESCRITO, COM O SEU HARDWARE, SOFTWARE E FIRMWARE, SÃO FORNECIDOS “TAL COMO ESTÃO” E “COM TODAS AS SUAS FALHAS E ERROS”. A HIKMICRO NÃO APRESENTA QUAISQUER GARANTIAS, EXPRESSAS OU IMPLÍCITAS, INCLUINDO, SEM QUAISQUER LIMITAÇÕES, GARANTIAS DE COMERCIALIZAÇÃO, QUALIDADE SATISFATÓRIA OU ADEQUAÇÃO A UM DETERMINADO FIM. A SUA UTILIZAÇÃO DESTES PRODUTOS É FEITA POR SUA CONTA E RISCO. EM NENHUMA CIRCUNSTÂNCIA, A HIKMICRO SERÁ RESPONSÁVEL POR SI EM RELAÇÃO A QUAISQUER DANOS ESPECIAIS, CONSEQUENCIAIS, INCIDENTAIS OU INDIRETOS, INCLUINDO, ENTRE OUTROS, DANOS PELA PERDA DE LUCROS COMERCIAIS, INTERRUPTÃO DA ATIVIDADE, PERDA DE DADOS, CORRUPÇÃO DE SISTEMAS OU PERDA DE DOCUMENTAÇÃO SEJA COM BASE NUMA VIOLAÇÃO DO CONTRATO, ATOS ILÍCITOS (INCLUÍDO NEGLIGÊNCIA), RESPONSABILIDADE PELO PRODUTO OU, DE OUTRO MODO, RELACIONADA COM A UTILIZAÇÃO DO PRODUTO, AINDA QUE A HIKMICRO TENHA SIDO AVISADA SOBRE A POSSIBILIDADE DE TAIS DANOS OU PERDAS.

O UTILIZADOR RECONHECE QUE A NATUREZA DA INTERNET OFERECE RISCOS DE SEGURANÇA INERENTES E QUE A HIKMICRO NÃO SERÁ RESPONSABILIZADA POR UM FUNCIONAMENTO ANORMAL, PERDA DE PRIVACIDADE OU OUTROS DANOS RESULTANTES DE ATAQUES INFORMÁTICOS, ATAQUES DE PIRATARIA, INFEÇÃO POR VÍRUS OU OUTROS



RISCOS ASSOCIADOS À SEGURANÇA DA INTERNET. NO ENTANTO, A HIKMICRO PRESTARÁ APOIO TÉCNICO ATEMPADO, SE SOLICITADO.

O UTILIZADOR ACEITA UTILIZAR ESTE PRODUTO EM CONFORMIDADE COM TODAS AS LEIS APLICÁVEIS E SER O ÚNICO RESPONSÁVEL POR GARANTIR QUE A SUA UTILIZAÇÃO É CONFORME À LEI APLICÁVEL. PARTICULARMENTE, O UTILIZADOR É O RESPONSÁVEL PELA UTILIZAÇÃO DESTE PRODUTO DE MODO QUE NÃO INFRIJA OS DIREITOS DE TERCEIROS, INCLUINDO, ENTRE OUTROS, OS DIREITOS DE PUBLICIDADE, DIREITOS DE PROPRIEDADE INTELECTUAL OU DE PROTEÇÃO DE DADOS, OU QUAISQUER OUTROS DIREITOS DE PRIVACIDADE. O UTILIZADOR NÃO PODERÁ UTILIZAR ESTE PRODUTO PARA QUAISQUER UTILIZAÇÕES FINAIS PROIBIDAS, INCLUINDO O DESENVOLVIMENTO OU PRODUÇÃO DE ARMAS DE DESTRUÇÃO MACIÇA, DESENVOLVIMENTO OU PRODUÇÃO DE QUÍMICOS OU ARMAS BIOLÓGICAS, QUAISQUER ATIVIDADES DESENVOLVIDAS NO ÂMBITO DE EXPLOSIVOS NUCLEARES OU CICLOS DE COMBUSTÍVEL NUCLEAR INSEGURO OU PARA APOIAR ABUSOS AOS DIREITOS HUMANOS.

NA EVENTUALIDADE DA OCORRÊNCIA DE ALGUM CONFLITO ENTRE ESTE MANUAL E A LEGISLAÇÃO APLICÁVEL, ESTA ÚLTIMA PREVALECE.


### **Informações sobre as normas reguladoras**

---

**As presentes cláusulas aplicam-se apenas aos produtos que apresentam a marcação ou informação correspondentes.**

---

### **Declaração de conformidade da UE**

 Este produto e, se aplicável, os acessórios fornecidos com o mesmo, têm a marcação "CE" e estão, por isso, em conformidade com os padrões europeus aplicáveis, indicados na diretiva 2014/30/UE (EMCD) e na diretiva 2011/65/UE (RSP).

Nota: Os produtos com uma tensão de entrada situada entre 50 e 1000 V CA ou entre 75 e 1500 V CC estão em conformidade com a diretiva 2014/35/UE (LVD) e os restantes produtos estão em conformidade com a diretiva 2001/95/CE (GPSD). Verifique

a informação da fonte de alimentação específica para referência.

Aviso: Este é um produto de classe A. Num ambiente doméstico, este produto poderá causar interferências radioelétricas; nesse caso, pode ser necessário que o utilizador tome as medidas adequadas.



2012/19/UE (Diretiva REEE): Os produtos com este símbolo não podem ser eliminados como resíduos urbanos indiferenciados na União Europeia. Para uma reciclagem adequada, devolva este produto ao seu fornecedor local quando adquirir um novo equipamento equivalente ou elimine-o através dos pontos de recolha adequados. Para mais informações, consulte: [www.recyclethis.info](http://www.recyclethis.info)



A Diretiva 2013/56/UE, que revoga a Diretiva 2006/66/CE (diretiva relativa a pilhas e acumuladores): Este produto contém uma bateria que não pode ser eliminada como resíduo urbano indiferenciado na União Europeia. Consulte a documentação do produto para obter informações específicas acerca da bateria. A bateria está marcada com este símbolo, que poderá incluir inscrições para indicar a presença de cádmio (Cd), chumbo (Pb), ou mercúrio (Hg). Para reciclar o produto de forma adequada, devolva a bateria ao seu fornecedor ou coloque-a num ponto de recolha apropriado. Para mais informações, consulte: [www.recyclethis.info](http://www.recyclethis.info).

### **Instruções de segurança**

Estas instruções destinam-se a garantir que o utilizador possa utilizar o produto corretamente para evitar perigos ou perdas materiais. Antes da utilização, leia atentamente todas as informações relacionadas com a segurança.

### **Legislação e regulamentos**

O dispositivo deve ser utilizado em conformidade com as leis, regulamentos de segurança elétrica e regulamentos de prevenção de incêndios locais.

### **Transporte**

- Mantenha o dispositivo na embalagem original ou similar, quando o transportar.
- Não deixe o produto cair, nem o sujeite a impactos físicos. Mantenha o dispositivo longe de interferências magnéticas.

### **Segurança elétrica**

- **ADVERTÊNCIA:** Se for possível substituir o fusível do dispositivo, substitua-o apenas por outro do mesmo modelo para reduzir o risco de incêndio ou de choque elétrico.
- Se um fusível estiver ligado ao fio neutro e ocorrer um polo duplo/fusível neutro, partes do dispositivo que continuam com tensão podem representar um perigo durante a assistência, após o funcionamento do fusível.
- O dispositivo deve ser ligado a uma tomada da rede elétrica com terra.
- A tomada deverá estar instalada perto do equipamento e ser facilmente acessível.
- Não toque nos componentes desprotegidos (tais como os contactos metálicos das entradas) e aguarde pelo menos 5 minutos, uma vez que a eletricidade pode ainda manter-se depois de desligar o disjuntor.
- Se o dispositivo for alimentado por terminais ligados a um cabo elétrico, certifique-se de que os terminais possuem uma tensão e cablagem corretas para ligação a uma fonte de alimentação.

### **Bateria**

Aviso:

- Não molhe nem submeta o produto ou a bateria a água.
- Não submeta o produto a um ambiente de temperatura extremamente elevada, como o fogo ou um forno de aquecimento, que pode provocar uma explosão ou a fuga de líquidos ou gases inflamáveis.
- Não sujeite o produto a recipientes aquecidos, máquinas de lavar roupa ou recipientes sob pressão.
- O ambiente de instalação do produto deve estar dentro do intervalo de temperatura e humidade especificado; evite a exposição direta ao sol e não rodeie de obstáculos ou substâncias inflamáveis, caso contrário, podem ocorrer perigos.

- Não sujeite o produto a pressão de ar extremamente baixa pois tal poderá resultar numa explosão de líquido inflamável ou gás.

Armazenamento:

- A bateria deve ser armazenada num armazém ou noutro ambiente interior sem exposição à luz e à água. Não coloque a bateria sob a luz solar direta ou em áreas que possam estar expostas à chuva ou à água.

- Requisito de temperatura de armazenamento da bateria: 10 °C a 30 °C.

- Requisito de humidade relativa de armazenamento da bateria: ≤60% de HR.

Funcionamento e utilização:

- Aviso: o dispositivo contém baterias integradas, que não devem ser desmontadas, substituídas ou modificadas sem assistência profissional. Caso contrário, existe o risco de explosão, incêndio ou corrosão química.

- Aviso: a bateria não deve ser espremida, perfurada, atingida, sofrer choques mecânicos ou ser desmontada. Se a bateria estiver danificada, pode provocar calor, incêndio ou explosão.

- Aviso: se a bateria estiver danificada, contacte o serviço de pós-venda para a substituir. Não repare ou substitua o componente por conta própria.

- Carregue e descarregue dentro do intervalo de temperatura especificado e não deve haver abrigos ou materiais inflamáveis por perto durante o carregamento, caso contrário pode ocorrer perigo.

- A bateria deve ser enviada parcialmente carregada.

- Ao verificar a bateria, deve utilizar óculos e luvas de proteção.

- Se a bateria tiver uma fuga e o líquido entrar em contacto com a pele ou os olhos, lave com água limpa o mais rapidamente possível e procure imediatamente assistência médica.

- Se a bateria se incendiar, utilize um extintor de espuma, um extintor de pó seco ou areia para extinguir o fogo.

- Utilize o carregador de bateria original ou especificado.

Métodos de carregamento e carregadores incorretos podem danificar a bateria e provocar um incêndio ou outros problemas.

- Não carregue a bateria com um carregador defeituoso.
- Pare de carregar depois de atingir o tempo de carregamento especificado, caso contrário a bateria pode aquecer, explodir ou incendiar-se.

Requisitos de eliminação de resíduos de baterias:

- As baterias são tóxicas e perigosas. Elimine as baterias usadas de acordo com as leis, regulamentos e normas nacionais aplicáveis.

### **Prevenção de incêndios**

- Não deverão ser colocadas fontes de chama livre, como velas acesas, sobre o dispositivo.
- Para o dispositivo com aberturas de ventilação, as aberturas de ventilação não devem ser impedidas ao tapar as aberturas de ventilação com artigos, tais como jornais, toalhas de mesa e cortinas. Não bloqueie as aberturas colocando o dispositivo numa cama, sofá, tapete ou outra superfície semelhante.

### **Superfície quente**



- **ADVERTÊNCIA:** Peças quentes! Não toque. Queimadura dos dedos resultante do manuseamento das peças. Desligue o equipamento, aguarde trinta minutos e só então deverá manusear as peças.

### **Alimentação elétrica**

- A tensão de entrada deve cumprir a Fonte de potência limitada (12 V CC), de acordo com a norma IEC62368. Consulte as especificações técnicas para obter informações detalhadas.
- Certifique-se de que a ficha está devidamente ligada à tomada.
- **NÃO** ligue vários dispositivos a um adaptador de energia, para evitar o superaquecimento de riscos de incêndio provocados por sobrecarga.
- + identifica o terminal positivo do equipamento com o qual é utilizada ou gera corrente direta. - identifica o terminal negativo do equipamento com o qual é utilizada ou gera corrente direta.

### **Instalação**

- Instale o dispositivo de acordo com as instruções neste manual.

- Para evitar a ocorrência de lesões, este dispositivo deve ser corretamente fixado na superfície da instalação em conformidade com as instruções de instalação.
- Nunca coloque o equipamento num local instável. O equipamento pode cair e causar lesões corporais graves ou morte.
- Este equipamento não se adequa a utilização em locais onde a presença de crianças seja provável.
- Este equipamento destina-se a ser utilizado apenas com os suportes correspondentes. A utilização com outros tipos de suporte (carrinhos, bancadas ou carrinhos de transporte) pode resultar em instabilidade e causar ferimentos.

### **Segurança do sistema**

- Por favor, tenha em consideração que a configuração das palavras-passe e de outras definições de segurança do dispositivo são da sua responsabilidade, assim como o guardar do seu nome de utilizador e da sua palavra-passe.

### **Manutenção**

- Se o produto não funcionar corretamente, contacte o seu fornecedor ou o seu centro de assistência mais próximo. Não assumimos qualquer responsabilidade por problemas causados por reparações ou manutenções não autorizadas.
- Limpe o dispositivo suavemente com um pano limpo e uma pequena quantidade de etanol, se necessário.
- Se o equipamento for utilizado de uma forma não especificada pelo fabricante, a proteção providenciada pelo dispositivo poderá ser afetada.

### **Ambiente da utilização**

- Certifique-se de que o ambiente de funcionamento do dispositivo cumpre os requisitos do mesmo. A temperatura de funcionamento deve situar-se entre -20 °C e 50 °C e a humidade de funcionamento deve situar-se entre 5% e 95%.
- NÃO direcione a lente para o sol nem para qualquer outra luz brilhante.
- NÃO exponha o dispositivo a radiação eletromagnética elevada.

### **Emergência**

- Certifique-se de que a alimentação está desligada antes de instalar ou desmontar o dispositivo, assim como antes de ligar cabos ao mesmo.
- Caso o dispositivo emita fumo, odores ou ruídos, desligue a alimentação elétrica de imediato, retire o cabo de alimentação da tomada e contacte o centro de assistência.

### **Sincronização da hora**

- Se a hora local não estiver sincronizada com a da rede, configure a hora do dispositivo manualmente quando o utilizar pela primeira vez. Aceda ao dispositivo através do browser/software de cliente e visite a interface das definições de hora.

### **Endereço do fabricante**

Sala 313, Unidade B, Edifício 2, Rua Danfeng 399, Subdistrito Xixing, Distrito Binjiang, Hangzhou, Zhejiang 310052, China  
Hangzhou Microimage Software Co., Ltd.

**AVISO DE CONFORMIDADE:** Os produtos da série térmica poderão estar sujeitos a controlos de exportação em vários países ou regiões, incluindo sem limite, os Estados Unidos da América, a União Europeia, o Reino Unido e/ou outros países-membro do Acordo de Wassenaar. Consulte o seu especialista em legislação ou em conformidade ou as autoridades locais para saber os requisitos de licença de exportação necessários se pretender transferir, exportar, voltar a exportar os produtos da série térmica entre países diferentes.

## 1 Overzicht

### 1.1. Korte beschrijving

De thermografische netwerkboxcamera (hierna "apparaat" genoemd) integreert functies zoals internetbewaking op afstand, videosever en temperatuurmeting in real time.

Overdracht, preview en configuratie op afstand kunnen worden gerealiseerd via browsers en klanten. Het apparaat kan eenvoudig worden geïnstalleerd zonder gestructureerd bekabelingssysteem.

Het kan op grote schaal worden gebruikt in de voedselproductie, de dagelijkse chemische industrie, PCBA-testen, onderzoek en andere gebieden.

### 1.2 Functies

Het apparaat heeft de volgende functies:

- Macromodus.
- Thermische beeldvorming.
- Meerdere paletten.
- Kalibratie die zorgt voor uniforme beelden en de beelddetails en effecten verbetert.
- Krachtige videocompressiealgoritmen die een hoge compressieverhouding met ultralage bitrate ondersteunen.
- NAS die snelle en betrouwbare gegevensoverdrachtprestaties heeft.
- Temperatuurdrempelalarm en andere functies voor temperatuurmeting die op de client kunnen worden geanalyseerd.
- TCP/IP, HTTP en andere protocollen.
- Upgrade en onderhoud op afstand.

### 1.3 Component en interface (pagina 1 - A)

Het uiterlijk is alleen ter referentie. Het daadwerkelijke apparaat prevaleert.

Nr.	Component en interface	Beschrijving
1	Thermische lens	Warmtebeeld bekijken.



2	Keuzeknop	Zet het apparaat op macromodus of normale modus.
3	Focuswielje	Verstel de brandpuntsafstand.
4	1/4-20 UNC-schroefdraadgat	Schroeven installeren.
5	Centreergat	Helpt bij het uitlijnen van het apparaat met de positiepin op de adapter.
6	Netwerkindicatoren	<ul style="list-style-type: none"> <li>● Knipperen: Netwerkgegevens verzenden.</li> <li>● Brandt: Het netwerk is aangesloten zonder gegevensoverdracht.</li> </ul>
7	Resetknop	Houd de knop 10 s ingedrukt en laat deze los om de fabrieksinstellingen op het apparaat terug te zetten.
8	Aardingschroef	Sluit aan op de aardingsklem om elektrische veiligheid te garanderen.
9	Aan/uit-indicator	<ul style="list-style-type: none"> <li>● Constant groen: Bedrijf.</li> <li>● Constant rood: Systeem is in</li> </ul>

		werking.
10	Aansluitingsbus	Voor aansluiting van 10-pins connectoren.
11	Netwerkinterface	RJ-45, netwerkcommunicatie
12	Netwerkkabel	Wanneer u de netwerkkabel uit het pakket aansluit, draait u de schroeven op de kabel aan om deze vast te zetten.
13	Klemmenblok	Steek het klemmenblok in de aansluitingsbus en verbind de draden aan de hand van de in de volgende tabel beschreven pindefinities.

#### 1.4 Pindefinities (pagina 2 - B)

Nr.	Signaal	Beschrijving
1	Voeding	DC-stroomingang van 12 V. Verbind de positieve en negatieve klemmen op correcte wijze.  *Nadat het apparaat is geïnstalleerd, kunt u de adapter in het pakket gebruiken om het apparaat op te laden.
2	GND	
3	RS-232_RX	RS-232 seriële communicatie, voor foutopsporing op het apparaat.
4	RS-232_TX	


5	ALARM_IN	1 alarmingang en 2 alarmuitgangen.
6	ALARM_OUTA	
7	ALARM_OUTB	
8	RS485-	RS-485 seriële poortcommunicatie-interface.
9	RS485+	
10	CVBS	Analoge video-uitgang.

## 2 Activeer en benader de netwerk-camera

Bezoek [www.hikmicrotech.com](http://www.hikmicrotech.com) voor het downloaden en installeren van HIKMICRO Studio. Raadpleeg de handleiding van het apparaat voor details over de bediening.

## 3 Installatie

Lees de instructies in deze sectie voordat u het apparaat installeert.

 **Gevaar:** Sluit alle stroom af bij het installeren, aansluiten of loskoppelen van het apparaat om de veiligheid van het personeel en het apparaat te garanderen.

### 3.1 Vereisten

Zorg ervoor dat het apparaat in het pakket zich in goede toestand bevindt en alle montageonderdelen zijn meegeleverd. Bereid de nodige onderdelen voor voordat u begint met de installatie.

- Zorg er bij het installeren van het apparaat voor dat de omgevingstemperatuur tussen  $-20\text{ °C} \sim +50\text{ °C}$  ligt, en dat de luchtvochtigheid  $\leq 90\% \pm 5\%$  is zonder condensatie.
- Het apparaat is niet waterdicht. Stel het apparaat niet bloot aan direct zonlicht en installeer het apparaat niet zelfstandig in een buitenomgeving.
- Zorg ervoor dat er voldoende ruimte is om het apparaat en de bijbehorende accessoires te installeren. Zie de afmetingen (pagina 2 - C) van het apparaat, eenheid: mm [inch].
- Volg de veiligheidsinstructies in deze handleiding zorgvuldig tijdens de installatie.

### 3.2 Het apparaat installeren

In deze sectie worden ter referentie de montagemethoden voor drievoeten en microscoopstatieven beschreven. Selecteer een installatiemethode op basis van de werkelijke scenario's.

### **3.2.1 Bevestigen op een drievoet (pagina 3 - D)**

Het apparaat heeft 1/4-20 UNC-schroefdraadgaten en kan worden bevestigd op een drievoet en andere stationaire scenario's via een 1/4-20 UNC-adapter.

#### ***Stappen:***

1. Bereid een geschikte adapter (②) voor en gebruik 1/4-20 UNC-schroeven om de adapter vast te maken op het apparaat (①) via de 1/4-20 UNC-schroefdraadgaten op het apparaat.
2. Plaats het geassembleerde apparaat en de adapter op de montageplaat, en gebruik de ontgrendelingsknop (③) op de drievoet om het apparaat vast te zetten.

### **3.2.2 Bevestigen op microscoopstatief (pagina 4, 5 - E)**

Het apparaat heeft 1/4-20 UNC (⑥) schroefdraadgaten en kan worden bevestigd op microscoopstatieven (③) via een 1/4-20 UNC-adapter in microscenario's.

#### ***Stappen:***

1. Lijn de positiepin (①) op de adapter (②) uit met het positioneringsgat (④) op het apparaat.
2. Draai de bevestigingsschroef (⑤) op het microscoopstatief vast om het apparaat op het statief te bevestigen.
3. Pas de objectafstand aan en zorg ervoor dat de afstand tussen het apparaat en het doel 4,3 cm is.
4. Draai de keuzeknop naar de macromodus (⑦) en draai vervolgens aan het focuswiel (⑧) om de twee borgpennen uit te lijnen. (⑨).

## **4 Gebruikshandleiding (pagina 4 - F)**

### **5 Technische ondersteuning**

De portal <https://www.hikmicrotech.com/en/contact-us.html> helpt u als HIKMICRO-klant om het meeste uit uw HIKMICRO-producten te halen. De portal geeft u toegang tot ons ondersteuningsteam, software en documentatie, onderhoudscontacten, enz.

## **Informatie over naleving van regelgeving en veiligheid**

Lees alle informatie en instructies in dit document aandachtig door voordat u het apparaat gebruikt en bewaar deze om ze later te kunnen raadplegen.

Voor meer informatie en instructies, bezoekt u onze website op <https://www.hikmicrotech.com>. U kunt ook andere documenten (als die er zijn) die bij het apparaat zijn geleverd, raadplegen of u kunt de QR-code (als die er is) op de verpakking scannen om meer informatie te verkrijgen.

### **JURIDISCHE DISCLAIMER**

VOOR ZOVER MAXIMAAL TOEGESTAAN OP GROND VAN HET TOEPASSELIJK RECHT, WORDEN DEZE HANDLEIDING EN HET OMSCHREVEN PRODUCT, INCLUSIEF HARDWARE, SOFTWARE EN FIRMWARE, GELEVERD 'ZOALS ZE ZIJN', INCLUSIEF 'FOUTEN EN GEBREKEN'. HIKMICRO GEEFT GEEN GARANTIES, EXPLICIET OF IMPLICIET, WAARONDER ZONDER BEPERKING, VERKOOPBAARHEID, BEVREDIGENDE KWALITEIT OF GESCHIKTHEID VOOR EEN BEPAALD DOEL. HET GEBRUIK VAN HET PRODUCT DOOR U IS OP EIGEN RISICO. IN GEEN GEVAL IS HIKMICRO VERANTWOORDELIJK VOOR SPECIALE, BIJKOMENDE, INCIDENTELE OF INDIRECTE SCHADE, WAARONDER, ONDER ANDERE, SCHADE VAN VERLIES AAN ZAKELIJKE WINST, ZAKELIJKE ONDERBREKING OF VERLIES VAN GEGEVENS, CORRUPTIE OF SYSTEMEN, OF VERLIES VAN DOCUMENTATIE, ONGEACHT OF DIT VOORTVLOEIT UIT CONTRACTBREUK, BENADELING (INCLUSIEF NALATIGHEID), PRODUCTAANSPRAKELIJKHEID OF ANDERS, MET BETREKKING TOT HET PRODUCT, ZELFS ALS HIKMICRO OP DE HOOGTE IS GEBRACHT VAN ZULKE SCHADE OF VERLIES.

U ERKENT DAT DE AARD VAN HET INTERNET INHERENTE VEILIGHEIDSRISICO'S INHOUDT EN DAT HIKMICRO GEEN ENKELE VERANTWOORDELIJKHEID AANVAARDT VOOR ABNORMALE WERKING, HET UITLEKKEN VAN PERSOONLIJKE GEGEVENS OF ANDERE SCHADE ALS GEVOLG VAN CYBERAANVALLEN, HACKERAANVALLEN, VIRUSBESMETTINGEN OF ANDERE BEVEILIGINGSRISICO'S OP

HET INTERNET; INDIEN NODIG VOORZIET HIKMICRO IN TIJDIGE TECHNISCHE ONDERSTEUNING.

U GAAT AKKOORD MET HET GEBRUIK VAN DIT PRODUCT IN OVEREENSTEMMING MET ALLE TOEPASBARE WETTEN EN UITSLUITEND U BENT VERANTWOORDELIJK VOOR DE GARANTIE DAT UW GEBRUIK OVEREENSTEMT MET DE TOEPASBARE WET. IN HET BIJZONDER BENT U ER VERANTWOORDELIJK VOOR DAT HET GEBRUIK VAN DIT PRODUCT GEEN INBREUK MAAKT OP DE RECHTEN VAN DERDEN, INCLUSIEF EN ZONDER BEPERKING DE RECHTEN VAN PUBLICITEIT, INTELLECTUEEL EIGENDOM OF GEGEVENSBEWAKING EN ANDERE PRIVACYRECHTEN. U MAG DIT PRODUCT NIET GEBRUIKEN VOOR VERBODEN EINDGEBRUIK, MET INBEGRIJ VAN DE ONTWIKKELING OF DE PRODUCTIE VAN MASSAVERNIEGINGSWAPENS, DE ONTWIKKELING OF DE PRODUCTIE VAN CHEMISCHE OF BIOLOGISCHE WAPENS, ALLE ACTIVITEITEN IN HET KADER VAN EVENTUELE NUCLEAIRE EXPLOSIEVEN OF ONVEILIGE NUCLEAIRE BRANDSTOF CYCLUS, OF TER ONDERSTEUNING VAN MENSENRECHTENSCHENDINGEN.

IN HET GEVAL VAN ENIGE CONFLICTEN TUSSEN DEZE HANDLEIDING EN DE TOEPASSELIJKE WETGEVING, PREVALEERT DE LAATSTE.

### **Informatie met betrekking tot regelgeving**

---

**Deze clausules zijn alleen van toepassing op de producten die de overeenkomende markering of informatie dragen.**

---

### **Nalevingsverklaring EU**



Dit product en - indien van toepassing - ook de meegeleverde accessoires zijn gemarkeerd met „CE” en voldoen daarom aan de toepasselijke

geharmoniseerde Europese normen vermeld onder de Richtlijn 2014/30/EU (EMCD) en Richtlijn 2011/65/EU (RoHS).

Opmerking: De producten met een ingangsspanning van 50 tot 1000 VAC of 75 tot 1500 VDC voldoen aan de Richtlijn 2014/35/EU (LVD), en de restproducten voldoen aan de Richtlijn 2001/95/EG (GPSD). Bekijk de specifieke informatie over de

voeding ter referentie.

Waarschuwing: Dit is een product van klasse A. Dit product kan in een huishoudelijke omgeving radiostoring veroorzaken, in welk geval de gebruiker gepaste maatregelen moet treffen.



2012/19/EU (WEEE-richtlijn): Producten die met dit symbool zijn gemarkeerd mogen binnen de Europese Unie niet worden weggegooid als ongesorteerd

huishoudelijk afval. Lever dit product voor een juiste recycling in bij uw plaatselijke leverancier bij aankoop van soortgelijke nieuwe apparatuur, of breng het naar daarvoor aangewezen inzamel punten. Zie voor meer informatie: [www.recyclethis.info](http://www.recyclethis.info)



2006/66/EG en het amendement 2013/56/EU (richtlijn batterijen): Dit product bevat een batterij die binnen de Europese Unie niet mag worden weggegooid als ongesorteerd huishoudelijk afval. Zie de

productdocumentatie voor specifieke informatie over de batterij. De batterij is gemarkeerd met dit symbool, dat letters kan bevatten die cadmium (Cd), lood (Pb) of kwik (Hg) aanduiden. Lever de batterij voor een juiste recycling in bij uw leverancier of bij een daarvoor aangewezen inzamel punt. Raadpleeg voor meer informatie: [www.recyclethis.info](http://www.recyclethis.info).

## Veiligheidsinstructies

Deze instructies zijn bedoeld om te verzekeren dat de gebruiker het product juist kan gebruiken om gevaar of verlies van eigendommen te vermijden. Lees alle veiligheidsinformatie aandachtig door vóór het gebruik.

## Wet- en regelgeving

Het apparaat moet worden gebruikt in overeenstemming met lokale wetgeving, elektrische veiligheidsvoorschriften en voorschriften voor brandpreventie.

## Transport

- Bewaar het apparaat in de originele of soortgelijke verpakking tijdens vervoer.
- Laat het product niet vallen en stel het apparaat niet bloot aan schokken. Houd het apparaat uit de buurt van magnetische

interferentie.

### **Elektrische veiligheid**

- LET OP: Als de zekering van het apparaat kan worden vervangen, vervang deze dan alleen door hetzelfde model om het risico op elektrische schokken te verminderen.
- Als een zekering is aangesloten op de neutrale draad en er een smelting (bij dubbelpolige/neutrale zekering) optreedt, kunnen delen van het apparaat die onder spanning blijven staan gevaar opleveren tijdens onderhoud na de bediening van de zekering.
- Het apparaat moet worden aangesloten op een geaard stopcontact.
- Het stopcontact moet in de buurt van de apparatuur worden geïnstalleerd en eenvoudig toegankelijk zijn.
- Raak de blootgestelde componenten (zoals metalen contacten van de ingangen) niet aan en wacht ten minste 5 minuten, omdat er nog elektriciteit aanwezig kan zijn nadat het apparaat uitgeschakeld.
- Als het apparaat stroom krijgt via de klemmen die zijn aangesloten op de voedingskabel, moet u zorgen voor de juiste spanning en bekabeling van de klemmen voor aansluiting op een wisselstroomnet.

### **Batterij**

Waarschuwing:

- Maak het product of de batterij niet nat of stel ze niet bloot aan water.
- Stel de batterij niet bloot aan extreem hoge temperaturen, zoals vuur of verwarmingsoven, want dat kan een explosie of het lekken van brandbare vloeistof of gas tot gevolg hebben.
- Stel het product niet bloot aan verwarmde vaten, wasmachines of drukvaten.
- Installationsmiljøet for produktet skal holde sig inden for det specificerede temperatur- og luftfugtighedsinterval, ikke være udsat for direkte sollys eller omgivet af forhindringer eller brændbare stoffer, da der ellers kan opstå fare.
- Stel het product niet bloot aan extreem lage luchtdruk, want dat kan een explosie of het lekken van brandbare vloeistof of gas tot gevolg hebben.



### Opslag:

- De batterij moet worden opgeslagen in een magazijn of een andere omgeving binnenshuis die niet wordt blootgesteld aan licht en water. Zet de batterij niet in direct zonlicht of in gebieden die kunnen worden blootgesteld aan regen of water.
- Vereiste batterijopslagtemperatuur: 10°C tot 30°C.
- De relatieve vochtigheidsvereiste voor de batterijopslag: ≤60% RV.

### Bediening en gebruik:

- Waarschuwing: Het apparaat bevat ingebouwde batterijen die niet mogen worden gedemonteerd, vervangen of gewijzigd zonder professionele hulp. Anders bestaat het risico op explosie, brand of chemische corrosie.
- Waarschuwing: De batterij mag niet worden samengedrukt, doorboord, geslagen, mechanisch geschokt of gedemonteerd. Als de batterij beschadigd is, kan dit hitte, brand of explosie veroorzaken.
- Waarschuwing: Als de batterij is beschadigd, neemt u contact op met de klantendienst voor vervanging. Repareer of vervang de component niet zelf.
- Laad en ontlad binnen het opgegeven temperatuurbereik. Er mogen geen afschermingen of brandbare materialen in de buurt zijn tijdens het opladen, anders kan er gevaar ontstaan.
- De batterij moet gedeeltelijk opgeladen zijn wanneer u deze vervoert.
- Wanneer u de batterij controleert, moet u een beschermende bril en handschoenen dragen.
- Als de batterij lekt en de vloeistof wordt gemorst op de huid of in de ogen, moet u dit zo snel mogelijk spoelen met zuiver water en onmiddellijk medisch advies inroepen.
- Als de batterij vuur vat, moet u een schuimblusser, poederblusser of brandzand gebruiken voor het blussen van de brand.
- Gebruik de originele of aangegeven batterijlader. Onjuiste laadmethoden en laders kunnen de batterij beschadigen en ervoor zorgen dat de batterij vuur vat of dat er andere problemen optreden.

- Laad de batterij niet op met een defecte lader.
- Stop het opladen nadat de opgegeven laadtijd is bereikt, anders kan de batterij opwarmen, ontploffen of vuur vatten.

Vereisten voor het verwijderen van afgedankte batterijen:

- Batterijen zijn giftig en gevaarlijk. Gooi lege batterijen weg in overeenstemming met de toepasselijke nationale wetten, regelgevingen en standaarden.

### **Brandpreventie**

- Plaats geen bronnen met open vuur, zoals brandende kaarsen, op het apparaat.
- Bij apparaten met ventilatieopeningen mogen de ventilatieopeningen niet worden belemmerd door het afdekken van de ventilatieopeningen met voorwerpen zoals kranten, tafelkleden en gordijnen. De ventilatieopeningen mogen nooit worden geblokkeerd door het apparaat op een bed, bank, tapijt of een ander soortgelijk oppervlak te plaatsen.

### **Warm oppervlak**



- LET OP: Hete onderdelen! Niet aanraken. Verbrande vingers bij het hanteren van de onderdelen. Wacht een half uur na uitschakelen voordat u de onderdelen beetpakt.

### **Stroomvoorziening**

- De ingangsspanning moet voldoen aan de Beperkte Voedingsbron (12 VDC) volgens de IEC62368-norm. Zie de technische specificaties voor gedetailleerde informatie.
- Zorg dat de stekker goed in het stopcontact zit.
- Sluit NOOIT meerdere apparaten aan op één voedingsadapter om oververhitting of brandgevaar door overbelasting te voorkomen.
- + identificeert de positieve aansluiting(en) van apparatuur die wordt gebruikt met gelijkstroom of die dat genereert. - identificeert de negatieve aansluiting(en) van apparatuur die wordt gebruikt met gelijkstroom of die dat genereert.

### **Installatie**

- Installeer het apparaat volgens de instructies in deze handleiding.

- Om letsel te voorkomen, moet dit apparaat veilig op het montagevlak worden vastgezet in overeenstemming met de installatie-instructies.
- Plaats de apparatuur nooit op een onstabiele plaats. De apparatuur kan dan vallen, wat ernstig letsel of de dood tot gevolg kan hebben.
- Deze apparatuur is niet geschikt voor gebruik op locaties waar waarschijnlijk kinderen aanwezig zijn.
- Deze apparatuur is uitsluitend bedoeld voor gebruik met bijpassende klemmen. Gebruik met andere voorwerpen (karren, standaards of dragers) kan leiden tot instabiliteit letsel veroorzaken.

### **Systeembeveiliging**

- Wij vragen uw begrip voor het feit dat u verantwoordelijkheid bent voor het configureren van alle wachtwoorden en andere beveiligingsinstellingen betreffende het apparaat, en bewaar uw gebruikersnaam en wachtwoord.

### **Onderhoud**

- Als het product niet goed werkt, neem dan contact op met uw leverancier of het dichtstbijzijnde servicecentrum. Wij aanvaarden geen verantwoordelijkheid voor problemen die zijn veroorzaakt door ongeautoriseerde reparatie of onderhoud.
- Veeg het apparaat voorzichtig schoon met een schone doek en, indien nodig, een kleine hoeveelheid ethanol.
- Als de apparatuur wordt gebruikt op een manier die niet door de fabrikant is gespecificeerd, kan de bescherming van het apparaat worden aangetast.

### **Gebruiksomgeving**

- Zorg dat de gebruiksomgeving voldoet aan de vereisten van het apparaat. Het apparaat werkt bij een temperatuur van -20 °C tot 50 °C en een luchtvochtigheid van 5% tot 95%.
- Richt de lens NIET op de zon of een ander fel licht.
- Stel het apparaat NIET bloot aan hoge elektromagnetische straling.

### **Noodgeval**

- Controleer eerst of de voeding is losgekoppeld voor u het apparaat bekabelt, installeert of demonteert.

- Als er rook, geur of geluid uit het apparaat komt, schakel het dan onmiddellijk uit, haal de stekker van het netsnoer uit het stopcontact en neem contact op met het servicecentrum.

### **Tijdsynchronisatie**

- Stel tijd op het apparaat handmatig in bij de eerste aanmelding, als de lokale tijd niet is gesynchroniseerd met die van het netwerk. Bezoek het apparaat via webbrowser/clientsoftware en ga naar de interface voor tijdsinstellingen.

### **Adres fabrikant**

Kamer 313, Unit B, Gebouw 2, 399 Danfeng Road, subdistrict Xixing, district Binjiang, Hangzhou, Zhejiang 310052, China  
Hangzhou Microimage Software Co., Ltd.

MEDEDELING VAN NALEVING: De producten thermische serie kunnen zijn onderworpen aan exportcontroles in verschillende landen of regio's, inclusief zonder enige beperking de Verenigde Staten, de Europese Unie, het Verenigd Koninkrijk en/of andere lidstaten van de Overeenkomst van Wassenaar. Neem contact op met uw professionele juridische of nalevingsexpert of plaatselijke overheidsinstanties omtrent enige noodzakelijke vereisten voor een exportvergunning als u van plan bent de producten thermische serie te verplaatsen, exporteren of her-exporteren tussen verschillende landen.

## 1 Přehled

### 1.1 Stručný popis

Síťová termokamera (dále jen „zařízení“) integruje funkce vzdáleného internetového sledování, videoseveru a měření teploty v reálném čase.

Vzdálený přenos, náhled a konfiguraci lze uskutečnit prostřednictvím prohlížečů a klientů. Zařízení lze snadno nainstalovat bez strukturovaného systému kabeláže.

Může být široce používán v potravinářské výrobě, každodenním chemickém průmyslu, testování PCBA, výzkumu a dalších oblastech.

### 1.2 Funkce

Zařízení má následující funkce:

- Režim Makro.
- Termovizní zobrazování.
- Více palet.
- Kalibrace, která zajišťuje rovnoměrnost obrazu a zlepšuje detaily a efekty obrazu.
- Výkonné algoritmy komprese videa, které podporují vysoký kompresní poměr při velmi nízkém datovém toku.
- NAS s rychlým a spolehlivým přenosem dat.
- Alarm prahové teploty a další funkce měření teploty, které lze analyzovat na klientovi.
- TCP/IP, HTTP a další protokoly.
- Vzdálená aktualizace a údržba.

### 1.3 Součásti a rozhraní (strana 1 – A)

Vzhled je pouze orientační. Záleží na skutečném zařízení.

Č.	Součásti a rozhraní	Popis
1	Termoobjektiv	Slouží k zobrazení termosnímku.
2	Volič režimu	Přepněte zařízení do režimu makro nebo do

		normálního režimu.
3	Zaostřovací kroužek	Nastavte ohniskovou vzdálenost.
4	Otvor pro závit 1/4-20 UNC	Nainstalujte šrouby.
5	Umístění otvorů	Pomozte zarovnat zařízení na polohovací kolík na adaptéru.
6	Indikátory sítě	<ul style="list-style-type: none"> <li>● Blikající: Přenos síťových dat.</li> <li>● Trvalé svícení: Síť je připojena bez datového přenosu.</li> </ul>
7	Tlačítko Resetování	Stiskněte tlačítko na 10 s a uvolněte je. Obnoví se tovární nastavení zařízení.
8	Zemnicí šroub	Pro zajištění elektrické bezpečnosti připojte k uzemňovací svorce.
9	Kontrolka napájení	<ul style="list-style-type: none"> <li>● Trvale zelená: Zařízení je v provozu.</li> <li>● Svítí červená: Systém je v provozu.</li> </ul>
10	Svorkovnice	Obsahuje 10 kolíkové konektory.
11	Síťové rozhraní	RJ-45, síťová komunikace
12	Síťový kabel	Při zapojování síťového kabelu v balení utáhněte

		šrouby na kabelu, aby byl zajištěn.
13	Svorkovnice	Zasuňte svorkovnici do zásuvky a spojte vodiče podle definice pinů popsané v následující tabulce.

#### 1.4 Definice kolíků (strana 2 - B)

Č.	Signál	Popis
1	Napájení	Napájecí vstup 12 V DC. Správně připojte kladné a záporné svorky. *Po instalaci zařízení můžete k jeho nabíjení použít adaptér, který je součástí balení.
2	GND	
3	RS-232_RX	Sériová komunikace RS-232 pro ladění zařízení.
4	RS-232_TX	
5	ALARM_IN	1 alarmový vstup; 2 alarmové výstupy.
6	ALARM_OUTA	
7	ALARM_OUTB	
8	RS485-	Komunikační rozhraní sériového portu RS-485.
9	RS485+	
10	CVBS	Analogový video výstup.

## 2 Aktivace síťové kamery a přístup k ní

Ke stažení a instalaci aplikace HIMICRO Studio navštivte web [www.hikmicrotech.com](http://www.hikmicrotech.com). Podrobné pokyny naleznete v uživatelské příručce zařízení.

## 3 Montáž

Před instalací zařízení si přečtěte pokyny v této části.

**⚠ Nebezpečí:** Při instalaci, zapojování nebo odpojování zařízení odpojte veškeré napájení, abyste zajistili bezpečnost personálu a zařízení.

### 3.1 Předpoklady

Před instalací se ujistěte, že je zařízení v balení v dobrém stavu, že obsahuje všechny montážní díly, a připravte si potřebné díly.

- Při instalaci zařízení dbejte na to, aby teplota prostředí byla v rozmezí  $-20\text{ }^{\circ}\text{C}\sim+50\text{ }^{\circ}\text{C}$  a vlhkost  $\leq 90\text{ }\%\pm 5\text{ }\%$  bez kondenzace.
- Zařízení není vodotěsné. Nevystavujte zařízení přímému slunečnímu záření a neinstalujte jej samostatně ve venkovním prostředí.
- Ujistěte se, že je pro instalaci zařízení a jeho příslušenství dostatek místa. Viz rozměry (strana 2 - C) zařízení, jednotka: mm [palce].
- Při instalaci pečlivě dodržujte bezpečnostní pokyny uvedené v této příručce.

### 3.2 Instalace zařízení

V této části jsou uvedeny metody upevnění na stativ a stojan mikroskopu. Vyberte způsob instalace podle aktuálních scénářů.

#### 3.2.1 Připevnění ke stativu (strana 3 - D)

Zařízení má otvory se závitem 1/4-20 UNC a lze je připojit ke stativu a jiným stacionárním zařízením pomocí adaptéru 1/4-20 UNC.

##### ***Kroky:***

1. Připravte si vhodný adaptér (②) a pomocí šroubu 1/4-20 UNC připevněte adaptér (①) pomocí otvorů se závitem 1/4-20 UNC na zařízení.
2. Sestavený přístroj a adaptér nasadte na montážní desku a pomocí uvolňovacího knoflíku (③) na stativu přístroj upevněte.

#### 3.2.2 Připevnění ke stojanu mikroskopu (strany 4, 5 – E)

Zařízení má otvory se závitem 1/4-20 UNC (⑥) v makroscénářích jej lze upevnit na stojany (③) pomocí adaptéru 1/4-20 UNC.

##### ***Kroky:***



1. Zarovnejte polohovací kolík (①) na adaptéru (②) s polohovacím otvorem (④) na zařízení.
2. Utáhněte upevňovací šroub (⑤) na stojanu mikroskopu, abyste přístroj upevnili na stojanu.
3. Upravte vzdálenost objektu a zkontrolujte, že vzdálenost mezi zařízením a cílem je 4,3 cm.
4. Otočte volič režimu do režimu Makro (⑦), potom otáčejte zaostřovacím kroužkem (⑧), dokud se nesrovnají dva polohovací kolíky (⑨).

## **4 Uživatelská příručka (strana 4 - F)**

### **5 Technická podpora**

Portál <https://www.hikmicrotech.com/en/contact-us.html> vám jako zákazníkovi společnosti HIKMICRO pomůže získat co nejvíce z vašich produktů HIKMICRO. Na portálu máte přístup k týmu podpory, softwaru a dokumentaci, kontaktním údajům servisu atd.

### **Dodržování předpisů a bezpečnostní informace**

Před použitím zařízení si pečlivě přečtěte všechny informace a pokyny v tomto dokumentu a dokument uschovejte pro pozdější použití.

Více informací a pokynů k tomuto zařízení najdete na našich webových stránkách <https://www.hikmicrotech.com>. Další informace můžete také získat z ostatních dokumentů dodaných se zařízením (pokud byly nějaké dodány) nebo naskenováním QR kódu z obalu zařízení (pokud se na něm nějaký kód nachází).

### **PRÁVNÍ VYLOUČENÍ ODPOVĚDNOSTI**

TATO PŘÍRUČKA A POPISOVANÉ PRODUKTY VČETNĚ PŘÍSLUŠNÉHO HARDWARU, SOFTWARE A FIRMWARE JSOU V MAXIMÁLNÍM ROZSAHU PŘÍPUSTNÉM PODLE ZÁKONA POSKYTOVÁNY, „JAK STOJÍ A LEŽÍ“, A „SE VŠEMI VADAMI A CHYBAMI“. SPOLEČNOST HIKMICRO NEPOSKYTUJE ŽÁDNÉ VÝSLOVNÉ ANI PŘEDPOKLÁDANÉ ZÁRUKY ZARNUJÍCÍ MIMO JINÉ PRODEJNOST, USPOKOJIVOU KVALITU NEBO VHODNOST KE KONKRÉTNÍM ÚČELŮM. POUŽÍVÁNÍ TOHOTO PRODUKTU JE NA VAŠE VLASTNÍ RIZIKO. SPOLEČNOST HIKMICRO V ŽÁDNÉM PŘÍPADĚ NENESE ODPOVĚDNOST ZA JAKÉKOLI ZVLÁŠTNÍ,

NÁSLEDNÉ, NÁHODNÉ NEBO NEPŘÍMÉ ŠKODY ZAHRNÚJÍCÍ MIMO JINÉ ŠKODY ZE ZTRÁTY OBCHODNÍHO ZISKU, PŘERUŠENÍ OBCHODNÍ ČINNOSTI NEBO ZTRÁTY DAT, POŠKOZENÍ SYSTÉMŮ NEBO ZTRÁTY DOKUMENTACE V SOUVISLOSTI S POUŽÍVÁNÍM TOHOTO VÝROBKU BEZ OHLEDU NA TO, ZDA TAKOVÉ ŠKODY VZNIKLY Z DŮVODU PORUŠENÍ SMLOUVY, OBČANSKOPRÁVNÍHO PŘEČINU (VČETNĚ NEDBALOSTI) ČI ODPOVĚDNOSTI ZA PRODUKT, A TO ANI V PŘÍPADĚ, ŽE SPOLEČNOST HIKMICRO BYLA NA MOŽNOST TAKOVÝCHTO ŠKOD NEBO ZTRÁTY UPOZORNĚNA.

BERETE NA VĚDOMÍ, ŽE INTERNET SVOU PODSTATOU PŘEDSTAVUJE SKRYTÁ BEZPEČNOSTNÍ RIZIKA A SPOLEČNOST HIKMICRO PROTO NEPŘEBÍRÁ ŽÁDNOU ODPOVĚDNOST ZA NESTANDARDNÍ PROVOZNÍ CHOVÁNÍ, ÚNIK OSOBNÍCH ÚDAJŮ NEBO JINÉ ŠKODY VYPLÝVAJÍCÍ Z KYBERNETICKÉHO ČI HACKERSKÉHO ÚTOKU, NAPADENÍ VIREM NEBO ŠKODY ZPŮSOBENÉ JINÝMI INTERNETOVÝMI BEZPEČNOSTNÍMI RIZIKY; SPOLEČNOST HIKMICRO VŠAK V PŘÍPADĚ POTŘEBY POSKYTNE VČASNOU TECHNICKOU PODPORU.

SOUHLASÍTE S TÍM, ŽE TENTO PRODUKT BUDE POUŽÍVÁN V SOULADU SE VŠEMI PLATNÝMI ZÁKONY A VÝHRADNĚ ODPOVÍDÁTE ZA ZAJIŠTĚNÍ, ŽE VAŠE UŽÍVÁNÍ BUDE V SOULADU S PLATNOU LEGISLATIVOU. ODPOVÍDÁTE ZEJMÉNA ZA POUŽÍVÁNÍ PRODUKTU ZPŮSOBEM, KTERÝ NEPORUŠUJE PRÁVA TŘETÍCH STRAN, COŽ ZAHRNÚJE MIMO JINÉ PRÁVO NA OCHRANU OSOBNOSTI, PRÁVO DUŠEVNÍHO VLASTNICTVÍ NEBO PRÁVO NA OCHRANU OSOBNÍCH ÚDAJŮ A DALŠÍ PRÁVA NA OCHRANU SOUKROMÍ. TENTO PRODUKT NE SMÍTE POUŽÍVAT K JAKÝMKOLI NEDOVOLENÝM KONCOVÝM ÚČELŮM VČETNĚ VÝVOJE ČI VÝROBY ZBRANÍ HROMADNÉHO NIČENÍ, VÝVOJE NEBO VÝROBY CHEMICKÝCH ČI BIOLOGICKÝCH ZBRANÍ NEBO JAKÝCHKOLI ČINNOSTÍ SOUVISEJÍCÍCH S JADERNÝMI VÝBUŠNINAMI NEBO NEBEZPEČNÝM JADERNÝM PALIVOVÝM CYKLEM ČI K PODPOŘE PORUŠOVÁNÍ LIDSKÝCH PRÁV.

V PŘÍPADĚ JAKÉHOKOLI ROZPORU MEZI TÍMTO NÁVODEM A PŘÍSLUŠNÝMI ZÁKONY PLATÍ DRUHÉ ZMÍNĚNÉ.


## Zákonné informace

---

**Tyto části se vztahují pouze k výrobkům nesoucím odpovídající označení nebo informaci.**

---

### Prohlášení o shodě EU

 Tento výrobek, a případně i dodané příslušenství, jsou označeny štítkem „CE“, což znamená, že vyhovují příslušným harmonizovaným evropským normám uvedeným ve směrnici 2014/30/EU (EMCD) a směrnici 2011/65/EU (RoHS).

Poznámka: Výrobky se vstupním napětím 50 až 1 000 V AC nebo 75 až 1 500 V DC vyhovují směrnici 2014/35/EU (LVD) a ostatní výrobky vyhovují směrnici 2001/95/ES (GPSD).

Přečtěte si informace o konkrétním zdroji napájení.

Varování: Jedná se o zařízení třídy A. V domácím prostředí může tento výrobek způsobovat rušení radiového signálu.

V takovém případě může být nutné přijmout odpovídající opatření.



Směrnice 2012/19/ES (WEEE): Výrobky označené tímto symbolem nelze v Evropské unii likvidovat společně s netříděným domovním odpadem. Při zakoupení nového ekvivalentního výrobku tento

výrobek řádně zrecykluje vrácením svému místnímu dodavateli, nebo jej zlikvidujte odevzdáním v určených sběrných místech. Více informací naleznete na webu:

[www.recyclethis.info](http://www.recyclethis.info)



2006/66/EC a jeho změnu 2013/56/EU (směrnice) Tento výrobek obsahuje baterii, kterou nelze v Evropské unii likvidovat společně s netříděným domovním odpadem.

Konkrétní informace o baterii naleznete v dokumentaci výrobku. Baterie je označena tímto symbolem, který může obsahovat písmena značící kadmium (Cd), olovo (Pb) nebo rtuť (Hg). Za účelem řádné recyklace baterii odevzdejte svému dodavateli nebo na určené sběrné místo. Další informace naleznete na adrese: [www.recyclethis.info](http://www.recyclethis.info).

### Bezpečnostní pokyny

Účelem těchto pokynů je zajistit, aby uživatel mohl výrobek

---

správně používat a zabránilo se nebezpečí nebo újmě na majetku. Před použitím si pečlivě přečtěte všechny bezpečnostní pokyny.

### **Zákony a předpisy**

Zařízení je nutné používat v souladu s místními zákony a předpisy týkajícími se elektrické bezpečnosti a předpisy pro protipožární ochranu.

### **Přeprava**

- Při přepravě uchovávejte zařízení v původním nebo jemu podobném balení.
- Produkt nevystavujte fyzickým nárazům a zabraňte jeho spadnutí. Udržujte zařízení mimo dosah magnetického rušení.

### **Elektrická bezpečnost**

- **UPOZORNĚNÍ:** Pokud lze pojistku zařízení vyměňovat, vyměňujte ji pouze za pojistku stejného modelu, abyste snížili riziko požáru nebo úrazu elektrickým proudem.
- Pokud je k nulovému vodiči připojená pojistka a dojde k dvojitému pólovému/neutrálnímu jištění, mohou části zařízení, které zůstanou pod napětím, představovat nebezpečí při servisu po činnosti pojistky.
- Zařízení musí být připojeno k uzemněné síťové zásuvce.
- Síťová zásuvka musí být namontována v blízkosti zařízení a musí být snadno přístupná.
- Nedotýkejte se obnažených součástí (jako jsou kovové kontakty přívodů) a vyčkejte alespoň 5 minut, protože po vypnutí zařízení zde může ještě být elektrický proud.
- Pokud je zařízení napájeno svorkami připojenými k napájecímu kabelu, při připojení k síťovému napájení zkontrolujte správné napětí a správné zapojení svorek.

### **Baterie**

Varování:

- Výrobek ani baterii nenavlhčujte ani je nevystavujte vodě.
- Nevystavujte výrobek prostředí s extrémně vysokou teplotou, např. ohni nebo troubě, protože by mohlo dojít k výbuchu nebo úniku hořlavé kapaliny či plynu.
- Nevystavujte výrobek ohřátým nádobám, pračkám ani tlakovým nádobám.
- Prostedí montáže výrobku musí být v zadaném rozsahu

teploty a vlhkosti, mimo dosah přímého slunečního záření a výrobek nesmí být obklopen překážkami ani hořlavými látkami. V opačném případě hrozí nebezpečí.

- Nevystavujte výrobek extrémně nízkému tlaku vzduchu, protože by mohlo dojít k výbuchu nebo úniku hořlavé kapaliny nebo plynu.

Úložiště:

- Baterii je nutné uchovávat ve skladu nebo jiném vnitřním prostředí, ve kterém nebude vystavena světlu ani vodě.

Neumísťujte baterii na přímé sluneční záření ani do míst, kde by mohla být vystavena dešti nebo vodě.

- Požadavek na teplotu skladování baterie: 10 až 30 °C

- Požadavek na relativní vlhkost skladování baterie: Relativní vlhkost  $\leq 60$  %.

Provoz a použití:

- Varování: Zařízení obsahuje vestavěné baterie, které se bez profesionální asistence nesmí rozebírat, vyměňovat ani upravovat. V opačném případě hrozí nebezpečí výbuchu, požáru nebo chemické koroze.

- Varování: Baterie nesmí být promáčknuta, propíchnuta, vystavena úderům či mechanickým nárazům ani rozebírána.

Pokud je baterie poškozena, může způsobit teplo, požár nebo výbuch.

- Varování: Pokud je baterie poškozena, obraťte se na poprodejní služby společnosti, aby ji vyměnily. Součást neopravujte ani nevyměňujte sami.

- Nabíjejte a vybíjejte baterii v rámci uvedeného teplotního rozsahu. Během nabíjení by nablízku nemělo být žádné zakrývání ani hořlavé materiály. V opačném případě hrozí nebezpečí.

- Baterie by měla být zaslána částečně nabitá.

- Při kontrole baterie je nutné na sobě mít ochranné brýle a rukavice.

- Pokud z baterie uniká kapalina a vyteče na kůži nebo do očí, opláchněte je co nejdříve čistou vodou a okamžitě vyhledejte lékařskou pomoc.

- Pokud se baterie vznítí, použijte k uhašení požáru pěnový hasicí přístroj, práškový hasicí přístroj nebo písek.

- Používejte originální nebo uvedenou nabíječku baterií. Při nesprávném způsobu nabíjení nebo při nesprávné nabíječce může dojít k poškození baterie a v důsledku toho ke vznícení nebo k jiným problémům.

- Nenabíjejte baterii pomocí vadné nabíječky.

- Po dosažení uvedené doby nabíjení ukončete nabíjení.

V opačném případě může dojít k zahřátí baterie, explodování nebo vznícení.

Požadavky na likvidaci odpadních baterií:

- Baterie jsou toxické a nebezpečné. Likvidace použitých baterií se musí provádět podle příslušných státních zákonů, nařízení a norem.

### **Požární ochrana**

- Na zařízení se nesmí pokládat zdroje otevřeného ohně jako například hořící svíčky.

- U zařízení s ventilačními otvory by ventilační otvory neměly být zablokovány předměty, jako jsou noviny, ubrusy a záclony. Při umístění zařízení na postel, pohovku, polštář nebo jiný podobný povrch nesmí být větrací otvory nikdy zablokovány.

### **Horký povrch**



- **UPOZORNĚNÍ:** Horké díly! Nedotýkejte se. Při manipulaci s díly si můžete popálit prsty. Než budete s díly manipulovat, vyčkejte po vypnutí zařízení půl hodiny.

### **Napájení**

- Vstupní napětí musí dle normy IEC62368 splňovat požadavky na omezený zdroj napájení (12 V stejnosm.). Podrobné informace naleznete v technických údajích.

- Zkontrolujte, zda je zástrčka řádně zapojena do napájecí zásuvky.

- K jednomu napájecímu adaptéru NEPŘIPOJUJTE více zařízení, abyste zabránili přehřátí nebo nebezpečí požáru v důsledku přetížení.

- + označuje kladnou svorku zařízení, která se používá se stejnosměrným proudem nebo jej generuje. - označuje zápornou svorku zařízení, která se používá se stejnosměrným proudem

nebo jej generuje.

## **Montáž**

- Namontujte zařízení podle pokynů v tomto návodu.
- Toto zařízení je třeba v souladu s montážními pokyny bezpečně připevnit k montážnímu povrchu, aby nedošlo ke zranění.
- Zařízení nikdy neumísťujte na nestabilní místo. Zařízení může spadnout a způsobit vážné zranění nebo smrt.
- Toto zařízení není vhodné pro použití v místech, na kterých se mohou vyskytovat děti.
- Toto zařízení je určeno k používání pouze s odpovídajícími držáky. Při použití jiného vybavení (vozíků, stojanů nebo nosičů) může být instalace nestabilní a může dojít ke zranění.

## **Zabezpečení systému**

- Mějte na paměti, že jste odpovědní za konfiguraci všech hesel a dalších nastavení zabezpečení zařízení a uchovejte uživatelské jméno a heslo.

## **Údržba**

- V případě, že výrobek nefunguje správně, obraťte se na prodejce nebo na nejbližší servisní středisko. Nepřebíráme žádnou odpovědnost za problémy způsobené neoprávněnou opravou nebo údržbou.
- V případě potřeby zařízení jemně otřete čistým hadříkem navlhčeným malým množstvím etanolu.
- V případě použití zařízení způsobem jiným než určeným výrobcem může dojít ke zrušení platnosti záruky.

## **Provozní prostředí**

- Zajistěte, aby provozní prostředí vyhovovalo požadavkům zařízení. Provozní teplota musí být -20 °C až 50 °C (-4 °F až 122 °F) a provozní vlhkost 5 % až 95 %.
- NEMÍŘTE objektivem do slunce ani do jiného zdroje jasného světla.
- NEVYSTAVUJTE zařízení silnému elektromagnetickému záření.

## **Stav nouze**

- Před připojením, instalací a demontáží zařízení se ujistěte, že bylo napájení odpojeno.
- Pokud ze zařízení vychází kouř, zápach nebo hluk, zařízení okamžitě vypněte, odpojte napájecí kabel a obraťte se na servisní

středisko.

### **Synchronizace času**

● Není-li místní čas synchronizován s časem sítě, nastavte při prvním přístupu čas zařízení ručně. Přejděte prostřednictvím webového prohlížeče nebo klientského softwaru k zařízení a otevřete rozhraní pro nastavení času.

### **Adresa výrobce**

Místnost 313, jednotka B, budova 2, ulice Danfeng 399, podobvod Xixing, obvod Binjiang, Hangzhou, Zhejiang 310052, Čína  
Hangzhou Microimage Software Co., Ltd.

**POZNÁMKA O DODRŽOVÁNÍ PŘEDPISŮ:** Na výrobky termální řady se mohou vztahovat vývozní opatření v různých zemích nebo regionech včetně, mimo jiné, Spojených států, Evropské unie, Spojeného království a dalších členských států Wassenaarského ujednání. Máte-li v úmyslu přenášet, exportovat nebo opětovně exportovat výrobky termální řady mezi různými zeměmi, obraťte se na profesionálního právníka, odborníka v oblasti dodržování předpisů nebo místní úřady, aby vám sdělili všechny nezbytné licenční požadavky pro export.



## 1 Oversigt

### 1.1 Kort beskrivelse

Det termografiske netværksboks-kamera (i det følgende kaldet "enheden") integrerer overvågning med fjernforbindelse på internettet, videoservert og funktioner til temperaturmåling i realtid.

Fjerntransmission, forhåndsvisning og konfiguration kan udføres gennem browsere og klienter. Enheden kan nemt installeres uden et struktureret kabelsystem.

Det kan bruges i vid udstrækning i fødevareproduktion, daglig kemisk industri, PCBA-test, forskning og andre områder.

### 1.2 Funktioner

Enheden har følgende funktioner:

- Makrotilstand.
- Termisk billedbehandling.
- Flere paletter.
- Kalibrering der sikrer billedets ensartethed og forbedrer billede-detajler og effekter.
- Kraftige video komprimerings algoritmer der understøtter højt kompressionsforhold ved ultra-lav bitrate.
- NAS med hurtig og pålidelig dataoverførsels-ydeevne.
- Temperaturtærskel-larm og andre funktioner til temperaturmåling, som kan analyseres på den klient.
- TCP/IP, HTTP og andre protokoller.
- Opgradering med fjernforbindelse og vedligeholdelse.

### 1.3 Komponenter og grænseflade (Side 1 – A)

Udseendet er kun vejledende. Den faktiske enhed gælder.

Nej.	Komponenter og grænseflade	Beskrivelse
1	Termisk objektiv	Se det termiske billede.
2	Tilstandsknap	Skift enheden til makrotilstand eller normal tilstand.

3	Fokushjul	Justering af brændvidde.
4	1/4-20 UNC gevindhul	Sæt skruer i.
5	Positioneringshul	Hjælp med at justere enheden til positionsstiften på adapteren.
6	Netværkskontrollamper	<ul style="list-style-type: none"> <li>● Blinker: Overfører netværksdata.</li> <li>● Lyser konstant: Netværket er forbundet, ingen datatransmission.</li> </ul>
7	Nulstillingsknap	Hold inde i 10 s, og slip knappen, og enheden gendanner til standardindstillingerne.
8	Jordingsskrue	Slut til jordforbindelse for at sikre elektrisk sikkerhed.
9	Kontrollampe for strøm	<ul style="list-style-type: none"> <li>● Konstant grøn: I drift.</li> <li>● Lyser konstant rødt: Systemet kører.</li> </ul>
10	Terminalstik	Indeholder 10-pin-stik.
11	Netværksstik	RJ-45, netværkskommunikation
12	Netværkskabel	Når du tilslutter netværkskablet i pakken, skal du stramme skruerne på kablet for at

		sikre det.
13	Klemrækken	Sæt klemrækken i terminalstikket, og forbind ledningerne med henvisning til pin-definitionen, der er beskrevet i følgende tabel.

#### 1.4 Pin-definition (Side 2 - B)


Nej.	Signal	Beskrivelse
1	Strøm	12V DC jævnstrømsindgang. Tilslut positive og negative terminaler korrekt.  *Når du har installeret enheden, kan du bruge adapteren i pakken til at oplade enheden.
2	GND	
3	RS-232_RX	RS-232 seriel kommunikation, til fejlfinding af enheden.
4	RS-232_TX	
5	ALARM_IN	1 alarmindgang; 2 alarmudgange.
6	ALARM_OUTA	
7	ALARM_OUTB	
8	RS485-	RS-485 Seriel port til kommunikationsgrænseflade.
9	RS485+	
10	CVBS	Analog videoudgang.

#### 2 Aktivér og få adgang til netværkskamera

Gå til [www.hikmicrotech.com](http://www.hikmicrotech.com) for at hente og installere HIKMICRO Studio. Nærmere oplysninger om betjening af enheden finder du i brugervejledningen.

### 3 Installation

Læs instruktionerne i dette afsnit, før du installerer enheden.

 **Fare:** Afbryd al strøm, når du installerer, tilslutter eller frakobler enheden for at sikre personalets og enhedens sikkerhed.

#### 3.1 Forudsætninger

Sørg for, at enheden i pakken er i god stand, at alle monteringsdele er inkluderet, og forbered de nødvendige dele før installation.

- Når du installerer enheden, skal du sørge for, at den omgivende temperatur er mellem  $-20\text{ }^{\circ}\text{C}\sim+50\text{ }^{\circ}\text{C}$ , og at luftfugtigheden er  $\leq 90\%\pm 5\%$  uden kondens.
- Enhedens er ikke vandtæt. Udsæt ikke enheden for direkte sollys, og installer ikke enheden alene i udendørs miljøer.
- Sørg for, at der er plads nok til at installere enheden og dens tilbehør. Se enhedens mål (side 2 - C), enhed: mm [tomme].
- Følg sikkerhedsinstruktionerne i denne vejledning nøje under installationen.

#### 3.2 Installation af enheden

Afsnittet introducerer metoder til montering af stativ og mikroskopstativ som reference. Vælg en installationsmetode baseret på faktiske scenarier.

##### 3.2.1 Fastgørelse til stativ (Side 3 - D)

Enheden har 1/4-20 UNC-gevindhuller og kan fastgøres til et stativ og andre stationære scenarier via 1/4-20 UNC -adapter.

*Trin:*

1. Forbered en passende adapter (②), og brug en 1/4-20 UNC-skrue til at fastgøre adapteren til enheden (①) gennem 1/4-20 UNC-gevindhullerne på enheden.
2. Sæt den samlede enhed og adapteren på monteringspladen, og brug udløserknappen (③) på stativet til at fastgøre enheden.

##### 3.2.2 Fastgørelse til mikroskopstativ (Side 4 - E)

Enheden har 1/4-20 UNC (⑥) gevindhuller og kan fastgøres på mikroskopstativer (③) via 1/4-20 UNC-adapter i mikroscevarier.

### **Trin:**

1. Tilpas positionsstiften (①) på adapteren (②) med positioneringshullet (④) på enheden.
2. Spænd fastgørelsesskruen (⑤) på mikroskopstativet for at fastgøre enheden på stativet.
3. Juster objektafstanden, og sørg for, at afstanden mellem enheden og målet er 4,3 cm.
4. Drej tilstandskallen til makrotilstand (⑦), og drej derefter fokushjulet (⑧) for at justere de to lokaliseringsstifter (⑨).

## **4 Brugervejledning (Side 4 - F)**

### **5 Teknisk support**

Du kan som HIKMICRO-kunde få hjælp på portalen <https://www.hikmicrotech.com/en/contact-us.html> for at få mest muligt ud af dine HIKMICRO-produkter. På portalen får du adgang til vores supportteam, software og dokumentation, servicekontakter osv.

### **Oplysninger om overholdelse af regler og sikkerhed**

Læs alle oplysninger og instrukser i dette dokument omhyggeligt, inden du tager enheden i brug, og gem dokumentet som reference.

Få flere oplysninger og anvisninger om enheder ved at besøge vores websted på <https://www.hikmicrotech.com>. Du kan også læse evt. andre dokumenter, der leveres med enheden, eller scanne en evt. QR-kode på emballagen for yderligere oplysninger.

### **JURIDISK ANSVARSFRASKRIVELSE**

VEJLEDNINGEN OG DET HERI BESKREVNE PRODUKT, INKL. HARDWARE, SOFTWARE OG FIRMWARE, LEVERES I STØRST MULIGT OMFANG, DER ER TILLADT VED LOV, "SOM DET ER OG FOREFINDES" OG "MED ALLE DEFEKTER OG FEJL". HIKMICRO UDSTEDER INGEN GARANTIER, HVERKEN UDTRYKKELIGE ELLER UNDERFORSTÅEDE, INKL. UDEN BEGRÆNSNING, VEDRØRENDE SALGBARHED, TILFREDSSTILLELSE KVALITET ELLER EGNETHED TIL ET BESTEMT FORMÅL. DIN BRUG AF PRODUKTET SKER PÅ DIN EGEN RISIKO. UNDER INGEN OMSTÆNDIGHEDER ER HIKMICRO ANSVARLIG OVER FOR DIG FOR SÆRLIGE SKADER, HÆNDELIGE SKADER, FØLGESKADER

ELLER INDIREKTE SKADER, INKL. BL.A., SKADER SOM FØLGE AF DRIFTSTAB, DRIFTSFORSTYRRELSER ELLER TAB AF DATA, BESKADIGELSE AF SYSTEMER ELLER TAB AF DOKUMENTATION, UANSET OM DET ER BASERET PÅ KONTRAKTBRUD, SKADEVOLDENDE HANDLINGER (HERUNDER UAGTSOMHED), PRODUKTANSVAR ELLER PÅ ANDEN MÅDE I FORBINDELSE MED BRUGEN AF PRODUKTET, SELVOM HIKMICRO ER BLEVET UNDERRETTET OM MULIGHEDEN FOR SÅDANNE SKADER.

DU ANERKENDER, AT INTERNETTET INDEHOLDER INDBYGGEDE SIKKERHEDSRISICI. HIKMICRO PÅTAGER SIG INTET ANSVAR FOR UNORMAL DRIFT, LÆKAGE AF PERSONLIGE OPLYSNINGER ELLER ANDRE SKADER SOM FØLGE AF CYBERANGREB, HACKERANGREB, VIRUSANGREB ELLER ANDRE INTERNETSIKKERHEDSRISICI. HIKMICRO VIL DOG YDE EVENTUEL NØDVENDIG OG RETTIDIG TEKNISK SUPPORT.

DU ERKLÆRER DIG INDFORSTÅET MED AT BRUGE PRODUKTET I OVERENSSTEMMELSE MED ALLE GÆLDENDE LOVE, OG DU ER ENEANSVARLIG FOR AT SIKRE, AT DIN BRUG OVERHOLDER AL GÆLDENDE LOVGIVNING. DU ER ISÆR ANSVARLIG FOR AT BRUGE PRODUKTET PÅ EN MÅDE, DER IKKE KRÆNKER TREDJEPARTERS RETTIGHEDER, HERUNDER, UDEN BEGRÆNSNINGER, RETTIGHEDER VEDRØRENDE OFFENTLIG OMTALE, INTELLEKTUELLE EJENDOMSRETTIGHEDER ELLER RETTIGHEDER VEDRØRENDE DATABESKYTTELSE OG ANDRE RETTIGHEDER VEDRØRENDE PERSONLIGE OPLYSNINGER. DU MÅ IKKE BRUGE PRODUKTET TIL FORBUDTE SLUTANVENDELSER, HERUNDER UDVIKLING ELLER FREMSTILLING AF MASSEØDELÆGGELSESVÅBEN, UDVIKLING ELLER PRODUKTION AF KEMISKE ELLER BIOLOGISKE VÅBEN, AKTIVITETER I DEN KONTEKST, DER ER KNYTTET TIL ATOMBOMBER ELLER USIKKERT REAKTORBRÆNDSEL, ELLER SOM STØTTE TIL OVERTRÆDELSE AF MENNESKERETTIGHEDER.

I TILFÆLDE AF UOVERENSSTEMMELSE MELLEM VEJLEDNINGEN OG GÆLDENDE LOVGIVNING GÆLDER SIDSTNÆVNTE.

**Lovgivningsmæssige oplysninger**

---

---

## Disse bestemmelser gælder kun for produkter, der er forsynet med det relevante mærke eller oplysninger.

---

### Erklæring om overensstemmelse med EU



Produktet og eventuelt medfølgende tilbehør er mærket "CE" og opfylder derfor gældende harmoniserede europæiske standarder anført i

EU-direktiv 2014/30/EU (EMCD) og EU-direktiv 2011/65/EU (RoHS).

Bemærk: Produkter med en indgangsspænding på 50 til 1.000 V vekselstrøm eller 75 til 1.500 V jævnstrøm overholder direktiv 2014/35/EU (LVD), og de øvrige produkter overholder direktiv 2001/95/EF (GPSD). Kontrollér oplysningerne om strømforsyningen for reference.

Advarsel: Dette er et klasse A-produkt. Under anvendelse i boliger kan produktet forårsage radiointerferens, og brugeren kan blive nødt til at træffe passende foranstaltninger.



2012/19/EU (WEEE-direktivet): Produkter, der er mærket med dette symbol, kan ikke bortskaffes som almindeligt husholdningsaffald i EU. Med henblik på korrekt genbrug skal du returnere produktet til din

lokale leverandør ved køb af tilsvarende nyt udstyr eller bortskaffe det på dertil udpegede indleveringssteder. Du kan få flere oplysninger her: [www.recyclethis.info](http://www.recyclethis.info)



2006/66/EF som ændret ved 2013/56/EU

(batteridirektivet): Dette produkt indeholder et batteri, som ikke kan bortskaffes sammen med almindeligt husholdningsaffald i EU. Find specifikke oplysninger om

batteriet i produktokumentationen. Batteriet er mærket med dette symbol, som kan indeholde bogstaver, der indikerer indhold af kadmium (Cd), bly (Pb) eller kviksølv (Hg). Med henblik på korrekt genbrug skal du aflevere batteriet til din leverandør eller til et dertil indrettet indleveringssted. For yderligere oplysninger se: [www.recyclethis.info](http://www.recyclethis.info).

### Sikkerhedsanvisninger

Disse anvisninger skal sikre, at brugeren kan anvende produktet korrekt og undgå fare eller tab af ejendom. Læs alle

sikkerhedsanvisninger omhyggeligt inden ibrugtagning.

### **Love og bestemmelser**

Enheden skal anvendes i overensstemmelse med lokale love, sikkerhedsbestemmelser for elnettilslutning og brandforebyggelse.

### **Transport**

- Opbevar enheden i den oprindelige eller en lignende emballage, når den skal transporteres.
- Tab ikke produktet, og udsæt det ikke for fysiske stød. Hold enheden væk fra magnetisk forstyrrelse.

### **Elektrisk sikkerhed**

- **FORSIGTIG:** Hvis enhedens sikring kan udskiftes, må den kun udskiftes med en anden af samme model for at reducere risikoen for brand eller elektriske stød.
- Hvis en sikring er tilsluttet den neutrale ledning, og der opstår en dobbeltpolet/neutral sikring, kan dele af enheden, der forbliver strømførende, udgøre en fare under service, efter at sikringen er aktiveret.
- Enheden skal tilsluttes en stikkontakt på el-nettet med jordforbindelse.
- Stikkontakten skal være installeret i nærheden af enheden og være nemt tilgængelig.
- Du må ikke røre ved de nøgne komponenter (f.eks. metalkontakterne på indtagene), og du skal vente i mindst 5 minutter, da der stadig kan være elektricitet, efter at enheden er slukket.
- Hvis enheden strømforsynes af terminaler, der er sluttede til el-ledningen, skal du sikre korrekt spænding og kabelføring af terminalerne til tilslutning til hovedstrømforsyningen.

### **Batteri**

Advarsel:

- Gør ikke produktet eller batteriet vådt, og udsæt ikke produktet eller batteriet for vand.
- Efterlad ikke produktet i omgivelser med ekstremt høje temperaturer såsom ild eller en varmeovn, da dette kan medføre en eksplosion eller lækage af brændbar væske eller gas.
- Udsæt ikke produktet for opvarmede beholdere, vaskemaskiner



eller trykbeholdere.

- Installationsmiljøet for produktet skal holde sig inden for det specificerede temperatur- og luftfugtighedsinterval, ikke være udsat for direkte sollys eller omgivet af forhindringer eller brændbare stoffer, da der ellers kan opstå fare.
- Udsæt ikke produktet for omgivelser med ekstremt lavt lufttryk, da det kan medføre en eksplosion eller lækage af brændbar væske eller gas.

Lagring:

- Batteriet skal opbevares på et lager eller i et andet indendørsmiljø, der ikke er udsat for lys eller vand. Anbring ikke batteriet i direkte sollys eller i områder, der er udsat for regn eller vand.
- Temperaturkrav ved batteriopbevaring: -10 °C til 30 °C.
- Krav til relativ luftfugtighed ved batteriopbevaring: ≤60% RH.

Betjening og anvendelse:

- Advarsel: Enheden indeholder indbyggede batterier, som ikke må skilles ad, udskiftes eller ændres uden professionel assistance. I modsat fald er der en risiko for en eksplosion, ildebrand eller kemisk korrosion.
- Advarsel: Klem ikke på, stik ikke hul i, og slå ikke på batteriet. Udsæt ikke batteriet for mekaniske stød, og adskil ikke batteriet. Hvis batteriet er beskadiget, kan det forårsage varme, ildebrand eller eksplosion.
- Advarsel: Hvis batteriet er beskadiget, bedes du kontakte eftersalgsservice for at få det udskiftet. Du må ikke selv reparere eller udskifte komponenten.
- Oplad og aflad batteriet inden for det angivne temperaturinterval. Der må ikke være afskærmninger eller brændbare materialer i nærheden under opladningen. I modsat fald kan der opstå fare.
- Batteriet skal være delvist opladet under forsendelse.
- Brug beskyttelsesbriller og -handsker ved kontrol af batteriet.
- Hvis batteriet lækker, og væske kommer i kontakt med hud eller øjne, skal det påvirkede område skylles med rent vand så hurtigt som muligt. Opsøg straks læge.
- Brug en skum- eller pulverslugger eller ildfast sand til at slukke

ilden, hvis batteriet bryder i brand.

- Brug den originale eller specificerede batterioplader. Ukorrekt opladningsmetode og oplader kan beskadige batteriet og forårsage ildebrand eller andre problemer.
- Oplad ikke batteriet med en fejlbehæftet oplader.
- Stands opladningen efter den specificerede opladningstid. I modsat fald kan batteriet blive varmt, eksplodere eller bryde i brand.

Krav til bortskaffelse af udtjente batterier:

- Batterier er giftige og farlige. Bortskaf brugte batterier i henhold til gældende nationale love, bestemmelser og standarder.

### **Forebyggelse af brand**

- Placér ikke kilder med åben ild, såsom tændte stearinlys, oven på enheden.
- For en enhed med ventilationsåbninger må ventilationsåbningerne ikke blokeres af f.eks. aviser, duge, og gardiner, da luftcirkulationen ellers begrænses. Åbningerne må aldrig blokeres ved, at enheden placeres på en seng, en sofa, et tæppe eller lignende overflader.

### **Varm overflade**



- **FORSIGTIG:** Varme dele! Må ikke berøres. Du kan brænde fingrene ved håndtering af delene. Vent 30 minutter, efter at udstyret er slukket, før delene håndteres.

### **Strømforsyning**

- Indgangsspænding skal overholde LPS (Limited Power Source) (12 V jævnstrøm) iht. standarden IEC62368. Du kan finde nærmere oplysninger i de tekniske specifikationer.
- Kontrollér, at stikket er sat godt i stikkontakten.
- Slut IKKE flere enheder til én strømadapter for at undgå overhedning eller brandfare som følge af overbelastning.
- + identificerer de positive terminaler på udstyret, der bruges sammen med eller genererer jævnstrøm. - identificerer de negative terminaler på udstyret, der bruges sammen med eller genererer jævnstrøm.

## **Installation**

- Installer enheden i overensstemmelse med anvisningerne i vejledningen.
- For at undgå personskade skal enheden fastgøres forsvarligt til monteringsoverfladen i overensstemmelse med monteringsvejledningen.
- Anbring aldrig udstyret på et usikkert underlag. Udstyret kan vælte og forårsage alvorlig personskade eller død.
- Udstyret er ikke egnet til brug på steder, hvor det er sandsynligt, at børn er til stede.
- Brug kun udstyret sammen med de tilsvarende beslag. Brug af andet (arbejdsvogne, stativer eller støtter) kan medføre ustabilitet og forårsage personskade.

## **Systemsikkerhed**

- Du skal være bevidst om, at du har ansvar for at konfigurere alle adgangskoder og andre sikkerhedsindstillinger vedrørende enheden og at opbevare dit brugernavn og din adgangskode et sikkert sted.

## **Vedligeholdelse**

- Hvis produktet ikke virker korrekt, skal du kontakte din forhandler eller dit nærmeste servicecenter. Vi påtager os intet ansvar for problemer, der er forårsaget af uautoriseret reparation eller vedligeholdelse.
- Tør enheden forsigtigt af med en ren klud og en lille mængde ætanol, hvis det er nødvendigt.
- Hvis udstyret bruges på en måde, der ikke er angivet af producenten, kan den beskyttelse, der enheden giver, blive forringet.

## **Driftsmiljø**

- Kontrollér, at driftsmiljøet opfylder enhedens krav. Driftstemperaturen skal være -20 °C til 50 °C (-4 °F til 122 °F), og driftsfugtigheden skal være mellem 5 % og 95 %.
- Objektivet må IKKE rettes mod solen eller et stærkt lys.
- Enheden må IKKE udsættes for kraftig elektromagnetisk stråling.

## **Nødsituation**

- Kontrollér, at strømmen er afbrudt, før du trækker ledninger til,

monterer eller adskiller enheden.

● Hvis enheden afgiver røg, lugt eller støj, skal du straks slukke for strømmen og trække strømkablet ud. Kontakt derefter servicecentret.

### **Tidssynkronisering**

● Konfigurer enhedstiden manuelt første gang, du tilgår enheden, hvis den lokale tid ikke er synkroniseret til netværkets. Besøg enheden via webbrowser/klientsoftware, og gå til grænsefladen tidsindstillinger.

### **Producentens adresse**

Værelse 313, Enhed B, Bygning 2, 399 Danfeng Vej, Xixing Underdistrikt, Binjiang Distrikt, Hangzhou, Zhejiang 310052, Kina  
Hangzhou Microimage Software Co., Ltd.

**MEDDELELSE OM OVERENSSTEMMELSE:** Produkterne i den termografiske serie kan være underlagt eksportkontrol i forskellige lande eller områder, herunder, uden begrænsning, USA, EU, Storbritannien og/eller andre medlemslande i Wassenaar-aftalen. Kontakt din professionelle juraekspert, ekspert i overensstemmelse eller de lokale offentlige myndigheder for at få oplysninger om kravene for eksportlicens, hvis du har til hensigt at overføre, eksportere eller geneksportere enheder i den termiske serie mellem forskellige lande.

## 1. Áttekintés

### 1.1 Rövid leírás

A termográfiai hálózati dobozkamera (a továbbiakban: „eszköz”) távoli internetes felügyeletet, videoszervert és valós idejű hőmérsékletmérési funkciókat integrál.

A böngészők és kliensszoftverek segítségével az adatátvitel, az élőkép megtekintése és a konfigurálás távolból is végrehajtható. Az eszköz egyszerűen telepíthető, bonyolult kábelezés nélkül.

Széles körben használható az élelmiszeriparban, a napi vegyiparban, a PCBA-tesztelésben, a kutatásban és más területeken.

### 1.2. Funkciók

Az eszköz az alábbi funkciókkal rendelkezik:

- Makró mód.
- Hőképképzés.
- Többszörös színüzem módok.
- Kalibrálás, amely biztosítja a kép egyenletességét, valamint javítja a kép részleteit és hatásait.
- Nagy teljesítményű videótömörítési algoritmusok, amelyek támogatják a nagy tömörítési arányt ultraalacsony bitráta mellett.
- NAS, amely gyors és megbízható adatátviteli teljesítményt nyújt.
- Hőmérsékleti küszöbérték-riasztás és egyéb hőmérsékletmérési funkciók, amelyek a kliensben elemezhetők.
- TCP/IP, HTTP é egyéb protokollok.
- Távoli frissítés és karbantartás.

### 1.3. Komponensek és interfész (Oldal: 1 – A)

A kép csupán tájékoztató jellegű. A tényleges készülék az irányadó.

Sz.	Komponensek és interfész	Leírás
1	Hőérzékelő lencse	Hőkép megtekintése.

2	Üzemmódtárca	Kapcsolja az eszközt makró üzemmódba vagy normál üzemmódba.
3	Fókuszkerék	A fókusztávolság beállítására szolgál.
4	1/4-20 UNC menetes furat	A csavarokkal történő rögzítéshez.
5	Pozicionáló lyuk	Segít az eszközt az adapteren lévő pozíciótükhöz igazítani.
6	Hálózatjelzők	<ul style="list-style-type: none"> <li>● Villogás: Hálózati adatátvitel.</li> <li>● Folyamatos fény: A hálózat csatlakoztatva van, de nincs adatátvitel.</li> </ul>
7	Visszaállító gomb	Tartsa benyomva 10 másodpercig, majd engedje el a gombot az eszköz gyári beállításainak visszaállításához.
8	Földelőcsavar	Az elektromos biztonság érdekében csatlakoztassa a földelővezetékhez.
9	Működési jelzőfény	<ul style="list-style-type: none"> <li>● Folyamatos zöld: Működésben.</li> <li>● Folyamatos piros: A rendszer</li> </ul>

		működésben van.
10	Csatlakozóaljzat	10 tűs csatlakozókat tartalmaz.
11	Hálózati interfész	RJ-45, hálózati kommunikációs kábel csatlakozása
12	Hálózati kábel	A csomagban található hálózati kábel csatlakoztatásakor húzza meg a kábel csavarjait a rögzítéshez.
13	Csatlakozóblokk	Helyezze be a csatlakozóblokkot a csatlakozóaljzatba, és csatlakoztassa a vezetékeket a következő táblázatban leírt tűmeghatározás alapján.

#### 1.4. Tűmeghatározás (Oldal: 2 – B)

Sz.	Jel	Leírás
1	Tápellátás	12 V-os DC-tápbemenet. Kérjük, helyesen csatlakoztassa a pozitív és negatív csatlakozókat.  *Az eszköz telepítése után az eszköz töltéséhez használhatja a csomagban található adaptert.
2	GND	
3	RS-232_RX	RS-232 soros kommunikáció, az eszköz hibakereséséhez.
4	RS-232_TX	

5	ALARM_IN	1 riasztásbemenet, 2 riasztáskimenet.
6	ALARM_OUTA	
7	ALARM_OUTB	
8	RS485-	RS-485 soros port kommunikációs csatlakozója.
9	RS485+	
10	CVBS	Analóg videókimenet.

## 2. Hálózati kamera aktiválása és elérése

Látogassa meg a [www.hikmicrotech.com](http://www.hikmicrotech.com) weboldalt a HIKMICRO Studio alkalmazás letöltéséhez és telepítéséhez. A részletes működést a készülék használati útmutatója tartalmazza.

## 3. Telepítés

Az eszköz telepítése előtt olvassa el az ebben a szakaszban található utasításokat.

**⚠️ Veszély:** A személyzet és az eszköz biztonsága érdekében az eszköz telepítésekor, csatlakoztatásakor vagy kihúzásakor kapcsolja ki az összes áramforrást.

### 3.1. Előfeltételek

Győződjön meg arról, hogy a csomagban található eszköz kifogástalan állapotú, és egyetlen szerelési tartozék sem hiányzik, valamint a telepítés előtt készítse elő a szükséges alkatrészeket.

- Az eszköz telepítésekor ügyeljen arra, hogy a környezeti hőmérséklet  $-20\text{ °C} \sim +50\text{ °C}$  között legyen, a páratartalom pedig  $\leq 90\% \pm 5\%$ , kondenzáció nélkül.
- Az eszköz nem vízálló. Ne tegye ki az eszközt közvetlen napfénynek, és ne telepítse az eszközt önállóan kültéri környezetben.
- Győződjön meg róla, hogy az eszköz és tartozékainak telepítéséhez elegendő szabad hely áll rendelkezésre. Tekintse meg az eszköz méreteit (Oldal: 2 – C), mértékegység: mm [inch].
- A telepítés során szorosan kövesse az útmutatóban található biztonsági utasításokat.



## 3.2. Az eszköz telepítése

A szakasz bemutatja az állvány és a mikroszkópállvány rögzítési módszereit az Ön tájékoztatása érdekében. Válassza ki a telepítési módszert a tényleges forgatókönyvek alapján.

### 3.2.1. Csatlakoztatás az állványhoz (Oldal: 3 – D)

Az eszköz 1/4-20 UNC menetes furatokkal rendelkezik, és az 1/4-20 UNC adapter segítségével állványra és egyéb helyhez kötött eszközökre rögzíthető.

#### **Lépések:**

1. Készítsen elő egy megfelelő adaptert (②), majd használja az 1/4-20 UNC csavart az adapter eszközhöz való rögzítéséhez (①) az eszköz 1/4-20 UNC menetfuratain keresztül.
2. Helyezze az összeszerelt eszközt és az adaptert a szerelőlemezre, és használja a kioldógombot (③) az állványon a készülék rögzítéséhez.

### 3.2.2. Csatlakoztatás a mikroszkópállványhoz (Oldal: 4, 5 – E)

Az eszköz 1/4-20 UNC (⑥) menetfuratokkal rendelkezik, és mikroszkópállványra rögzíthető (③) az 1/4-20 UNC adapterrel a makróesetekben.

#### **Lépések:**

1. Igazítsa a pozíciótűt (①) az adapterre (②) a pozicionáló furattal (④) az eszközön.
2. Húzza meg a rögzítőcsavart (⑤) a mikroszkópállványon, hogy rögzítse az eszközt az állványon.
3. Állítsa be a tárgy távolságát, és győződjön meg arról, hogy az eszköz és a célpont közötti távolság 4,3 cm.
4. Fordítsa az üzemmódtárcsát a Makró üzemmódba (⑦), majd forgassa el a fókuszkeréket (⑧) a két rögzítőcsap (⑨) összehangolásához.

## 4. Felhasználói kézikönyv (Oldal: 4 – F)

## 5. Műszaki támogatás

A <https://www.hikmicrotech.com/en/contact-us.html> portál segít, hogy vásárlóként a legtöbbet hozza ki HIKMICRO termékeiből. A portálon keresztül elérheti ügyfélszolgálati csapatunkat, és emellett szoftvereket és dokumentációkat, illetve a szervizek

elérhetőségeit is megtalálja, többek között.

### **Jogszábeli megfelelés és biztonsági információk**

A készülék használata előtt figyelmesen olvassa el a jelen dokumentumban található összes információt és utasítást, és őrizze meg azokat jövőbeni referenciaként.

A készülékkel kapcsolatos további információkért és utasításokért kérjük, látogasson el weboldalunkra a <https://www.hikmicrotech.com> címen. További információkat kaphat a készülékhez mellékelt egyéb dokumentumokból is (ha vannak ilyenek), vagy ha beolvassa a csomagoláson található QR-kódot (ha van ilyen).

### **JOGI NYILATKOZAT**

EZT A KÉZIKÖNYVET, VALAMINT A BENNE SZEREPLŐ TERMÉKET ANNAK HARDVER-, SZOFTVER-ÖSSZETEVŐIVEL ÉS FIRMWARE-ÉVEL EGYÜTT „EREDETI FORMÁBAN” BIZTOSÍTJUK, „BELEÉRTVE AZOK ÖSSZES ESETLEGES HIBÁJÁT”. A HIKMICRO NEM VÁLLAL SEM KIFEJEZETT, SEM TÖRVÉNY ÁLTAL VÉLELMEZETT JÓTÁLLÁST TÖBBEK KÖZÖTT – DE NEM KORLÁTOZVA – A TERMÉK ÉRTÉKESÍTHETŐSÉGÉRE, MEGFELELŐ MINŐSÉGÉRE, VALAMINT ADOTT CÉLRA VALÓ ALKALMASSÁGÁRA. A TERMÉKET KIZÁRÓLAG SAJÁT FELELŐSSÉGÉRE HASZNÁLHATJA. A HIKMICRO SEMMILYEN ESETBEN SEM VÁLLAL FELELŐSSÉGET ÖN FELÉ SEMMILYEN KÜLÖNLEGES, KÖVETKEZMÉNYES, JÁRULÉKOS VAGY KÖZVETETT KÁRÉRT, BELEÉRTVE TÖBBEK KÖZÖTT A TERMÉK HASZNÁLATÁVAL ÖSSZEFÜGGÉSBEN AZ ÜZLETI HASZON ELVESZTÉSÉBŐL, AZ ÜZLETMENET MEGSZAKADÁSÁBÓL, VALAMINT AZ ADATOK VAGY DOKUMENTUMOK ELVESZTÉSÉBŐL EREDŐ KÁROKAT, TÖRTÉNJEN EZ SZERZŐDÉSSZEGÉS VAGY KÁROKOZÁS (BELEÉRTVE A GONDATLANSÁGOT) EREDMÉNYEKÉNT, MÉG AKKOR SEM, HA A HIKMICRO VÁLLALATOT TÁJÉKOZTATTÁK AZ ILYEN KÁROK BEKÖVETKEZÉSÉNEK LEHETŐSÉGÉRŐL.

ÖN TUDOMÁSUL VESZI, HOGY AZ INTERNET TERMÉSZETÉBŐL FAKADÓAN KOCKÁZATOKAT REJT, ÉS A HIKMICRO SEMMILYEN FELELŐSSÉGET NEM VÁLLAL A RENDELLENES MŰKÖDÉSÉRT, A

SZEMÉLYES ADATOK KISZIVÁRGÁSÁÉRT VAGY MÁS OLYAN KÁROKÉRT, AMELYEKET KIBERTÁMADÁSOK, HACKERTÁMADÁSOK, VÍRUSFERTŐZÉSEK VAGY MÁS INTERNETES BIZTONSÁGI VESZÉLYEK OKOZTAK; A HIKMICRO AZONBAN KÉRÉSRE IDŐBEN MŰSZAKI TÁMOGATÁST NYÚJT. ÖN ELFOGADJA, HOGY EZT A TERMÉKET KIZÁRÓLAG A VONATKOZÓ TÖRVÉNYI ELŐÍRÁSOK BETARTÁSÁVAL HASZNÁLJA, ÉS HOGY A VONATKOZÓ TÖRVÉNYEKNEK MEGFELELŐ HASZNÁLAT KIZÁRÓLAG AZ ÖN FELELŐSSÉGE. KÜLÖNÖSKÉPPEN AZ ÖN FELELŐSSÉGE, HOGY A TERMÉK HASZNÁLATA SORÁN NE SÉRTSE HARMADIK FÉL JOGAIT, BELEÉRTVE, DE NEM KORLÁTOZVA A NYILVÁNOSSÁGRA, SZELLEMI TULAJDONRA, ADATOK VÉDELMERE ÉS EGYÉB SZEMÉLYES ADATOKRA VONATKOZÓ JOGOKAT. A TERMÉKET NEM HASZNÁLHATJA TILTOTT CÉLRA, BELEÉRTVE A TÖMEGPUSZTÍTÓ FEGYVEREK FEJLESZTÉSÉT VAGY GYÁRTÁSÁT, A VEGYI VAGY BIOLÓGIAI FEGYVEREK FEJLESZTÉSÉT VAGY GYÁRTÁSÁT, VALAMINT BÁRMILYEN, ROBBANÁSVESZÉLYES VAGY NEM BIZTONSÁGOS NUKLEÁRIS HASADÓANYAG-CIKLUSSAL KAPCSOLATOS TEVÉKENYSÉGET, ILLETVE EMBERI JOGI VISSZAÉLÉSEKET TÁMOGATÓ MÓDON TÖRTÉNŐ FELHASZNÁLÁST.

HA A JELEN KÉZIKÖNYV ÉS A HATÁLYOS TÖRVÉNY KÖZÖTT ELLENTMONDÁS TAPASZTALHATÓ, AKKOR AZ UTÓBBI A MÉRVADÓ.

## **Szabályozással kapcsolatos információk**

---

**Ezek a cikkelyek kizárólag a megfelelő jelt vagy információt viselő termékekre vonatkoznak.**

---

### **EU megfeleléségi nyilatkozat**



Ez a termék és a mellékelt tartozékai (ha vannak) a „CE” jelzést viselik, így megfelelnek a 2014/30/EU (EMCD) és a 2011/65/EU (RoHS) irányelvben felsorolt harmonizált európai szabványoknak.

Megjegyzés: Az 50 - 1000 V (egyenáram) vagy 75 - 1500 V (váltóáram) tartományba eső bemeneti feszültséggel rendelkező termékek a 2014/35/EU (LVD) irányelv előírásainak,

míg a többi termék a 2001/95/EK (GPSD) irányelv előírásainak felel meg. Kérjük, ellenőrizze az adott tápegységre vonatkozó tájékoztató információkat.

Figyelmeztetés: Ez egy A osztályú termék. Lakókörnyezetben rádióhullámú zavart okozhat, amely esetben a felhasználó számára előírható a megfelelő intézkedések megtétele.



2012/19/EU (WEEE-irányelv): Az ilyen jelzéssel ellátott termékeket nem lehet szelektálatlan kommunális hulladékként leselejtezni az Európai Unióban. A

megfelelő újrahasznosítás érdekében vigye vissza ezt a terméket helyi forgalmazóhoz, amikor új, egyenértékű berendezést vásárol, vagy adja le a kijelölt gyűjtőhelyeken. További információk: [www.recyclethis.info](http://www.recyclethis.info)



A 2006/66/EK irányelv, valamint 2013/56/EU számú módosítása (akkumulátorokra vonatkozó irányelv): Ez a termék olyan akkumulátort tartalmaz, amelyet az Európai Unióban tilos szelektálatlan kommunális

hulladékként ártalmatlanítani. A termékdokumentációban további információkat talál az akkumulátorról. Az akkumulátor ezzel a jelzéssel van ellátva. A jelzésen megtalálhatók lehetnek a kadmiumot (Cd), ólmot (Pb) vagy higanyt (Hg) jelző betűjelek. A megfelelő újrahasznosítás érdekében vigye vissza az akkumulátort a forgalmazóhoz, vagy juttassa el egy kijelölt gyűjtőhelyre. További információért keresse fel az alábbi honlapot: [www.recyclethis.info](http://www.recyclethis.info).

### **Biztonsági utasítások**

Ezen utasítások célja annak biztosítása, hogy a felhasználó a terméket megfelelően tudja használni veszély vagy vagyoni veszteség elkerülése érdekében. Kérjük, használat előtt figyelmesen olvassa el az összes biztonsági információt.

### **Törvények és szabályok**

Az eszközt a helyi törvények, elektromos biztonsági és tűzvédelmi előírások betartásával kell használni.

### **Szállítás**

● Szállítás alkalmával tartsa a terméket az eredeti vagy ahhoz hasonló csomagolásban.

- Ne ejtse le és ne tegye ki ütődésnek a készüléket. Az eszközt tartsa távol a mágneses interferenciától.

### **Elektromos biztonság**

- **VIGYÁZAT:** Amennyiben a készülék biztosítéka cserélhető, a tűz- és áramütésveszély csökkentése érdekében a kiégett biztosítékot csak ugyanolyan típusú biztosítékkal helyettesítse.
- Ha a biztosítékot a semleges vezetékhez csatlakoztatják, és kétpólusú/semleges biztosíték keletkezik, a készülék feszültség alatt maradó részei veszélyt jelenthetnek a biztosíték működtetése utáni szervizelés során.
- A készüléket földelt hálózati aljzathoz kell csatlakoztatni.
- A hálózati aljzat a készülék közelében legyen, könnyen hozzáférhető helyen.
- Ne érintse meg a csupasz alkatrészeket (például a bemenetek fémérintkezőit), és a kikapcsolás után várjon legalább 5 percet, hiszen fennáll a veszélye, hogy áram marad a készülékben.
- Amennyiben a készüléket a tápkábelhez csatlakoztatott érintkezőkön keresztül helyezi feszültség alá, figyeljen a hálózati tápforráshoz csatlakozó érintkezők megfelelő feszültségére és bekötésére.

### **Akkumulátor**

Figyelmeztetés:

- Figyeljen arra, hogy a termék vagy az akkumulátor ne nedvedjen meg, illetve ne érintkezzen vízzel.
- Ne helyezze a terméket rendkívül magas hőmérsékletű környezetbe, például tűzbe vagy fűtőkemencébe, ugyanis ez robbanáshoz, illetve gyúlékony folyadék vagy gáz szivárgásához vezethet.
- Ne helyezze a terméket fűtött edényekbe, mosógépbe vagy nyomásálló tartályba.
- A termék telepítési helyének kiválasztásakor tartsa be az előírt hőmérséklet- és páratartalom-tartományokat, kerülje a közvetlen napfényt, és figyeljen arra, hogy a közelben ne legyenek akadályok vagy gyúlékony anyagok. Veszélyes lehet.
- Ne helyezze a terméket rendkívül alacsony légnyomású környezetbe, ugyanis ez robbanáshoz, illetve gyúlékony folyadék vagy gáz szivárgásához vezethet.

Tárhely:

- Az akkumulátor raktárban vagy más, fénytől és víztől védett beltéri környezetben tárolandó. Kérjük, ne helyezze az akkumulátort közvetlen napfénybe, illetve olyan esőnek vagy víznek kitett helyre.
- Az akkumulátor tárolásának hőmérséklet-követelményei: 10 °C – 30 °C.

- Az akkumulátor tárolásának relatív páratartalomra vonatkozó követelményei: ≤60% RH.

Működtetés és használat:

- Figyelmeztetés: A készülék beépített akkumulátorokat tartalmaz, amelyeket szakember felügyelete nélkül tilos szétszerelni, helyettesíteni vagy módosítani. Robbanás, tűz vagy vegyi korrózió veszélye áll fenn.
- Figyelmeztetés: Ne nyomja össze, ne szűrje át, ne tegye ki ütődésnek vagy mechanikai rázkódásnak, illetve ne szerelje szét az akkumulátort. A sérült akkumulátor felforrósodhat, illetve tüzet vagy robbanást okozhat.
- Figyelmeztetés: Ha az akkumulátor megsérül, kérjük, forduljon az értékesítés utáni szolgáltatásokat nyújtó részleghez a csere céljából. Ne próbálja saját kezűleg megjavítani vagy lecserélni az alkatrészt.
- Kérjük, az előírt hőmérsékleti tartományon belül töltsé és merítse le az akkumulátort, és figyeljen arra, hogy töltés közben ne legyenek a közelben védőberendezések vagy gyúlékony anyagok. Veszélyes lehet.
- Az akkumulátor részben feltöltve kerül kiszállításra.
- Az akkumulátor ellenőrzésekor viseljen védőszemüveget és védőkesztyűt.
- Amennyiben az akkumulátor szivárog, és a folyadék a bőrrel érintkezik vagy a szembe kerül, a lehető leghamarabb mossa le tiszta vízzel, és azonnal forduljon orvoshoz.
- Az akkumulátor kigyulladás esetén használjon haboltó készüléket, száraz porral oltó készüléket vagy tűzoltó homokot a tűz eloltásához.
- Az eredeti vagy az előírt akkumulátortöltőt használja. A nem megfelelő töltési módszerek és töltők károsíthatják az

akkumulátort, illetve tüzet vagy más gondokat okozhatnak.

- Ne töltsse az akkumulátort hibás töltővel.
  - Kérjük, állítsa le a töltést az előírt töltési idő után, különben az akkumulátor felmelegedhet, felrobbanhat vagy kigyulladhat.
- Hulladék akkumulátorok ártalmatlanítási követelményei:
- Az akkumulátorok mérgezőek és veszélyesek. A használt akkumulátorokat a vonatkozó országos szintű törvényeknek, előírásoknak és szabványoknak megfelelően ártalmatlanítsa.

### **Tűzvédelmi előírások**

- Tilos a készüléken nyílt lángforrást, pl. gyertyát elhelyezni.
- Szellőzőnyílással rendelkező készülék esetében a készülék szellőzőnyílásait nem szabad például újságpapír, terítő, függöny ráhelyezésével eltakarni. A készüléket soha ne helyezze ágyra, kanapéra, szőnyegre vagy hasonló felületre, mert ezzel eltakarja annak szellőzőnyílásait.

### **Forró felületek**



- **VIGYÁZAT:** Forró alkatrészek! Ne érintse meg. Az alkatrészek megérintése esetén az ujjak égési sérülésének veszélye áll fenn. Várjon fél órát a készülék kikapcsolását követően, mielőtt megérintené az ilyen részeket.

### **Tápellátás**

- A bemeneti feszültségnek meg kell felelnie a korlátozott áramforrásokra vonatkozó előírásoknak (12 V DC), az IEC62368 szabvány szerint. A részletes információkért olvassa el a műszaki adatokat.
- Ellenőrizze, hogy a tápcsatlakozó stabilan van-e csatlakoztatva a konnektorhoz.
- NE csatlakoztasson több készüléket egy hálózati adapterre, hogy elkerülje a túlterhelés okozta túlmelegedést vagy tűzveszélyt.
- A + a berendezés áramot fogadó vagy leadó pozitív érintkezőjét jelöli. A - a berendezés áramot fogadó vagy leadó negatív érintkezőjét jelöli.

### **Telepítés**

- a készüléket az útmutatóban előírtak szerint végezze.

- A balesetveszély elkerülése érdekében a készüléket szilárdan a rögzítési felülethez kell erősíteni, az üzembe helyezési utasításoknak megfelelően.
- Soha ne helyezze a berendezést instabil helyre. A berendezés leeshet, ami súlyos vagy akár halálos sérülést okozhat.
- Ez a berendezés nem használható olyan helyen, ahol gyermekek lehetnek jelen.
- Ez a berendezés kizárólag a megfelelő rögzítőelemekkel használható. Az ettől eltérő eszközökkel (kocsi, állvány, vagy tartó) történő használat instabil rögzítést, és emiatt sérülésveszélyt okozhat.

### **Rendszerbiztonság**

- Ne feledje, hogy az Ön felelőssége az eszközhöz kapcsolódó összes jelszó és egyéb biztonsági beállítás megadása, valamint felhasználónevének és jelszavának biztonságos megőrzése.

### **Karbantartás**

- Ha a termék NEM működik megfelelően, forduljon a kereskedőhöz vagy a legközelebbi szervizközponthoz. Nem vállalunk felelősséget az illetéktelen javításból vagy karbantartásból eredő károkért.
- Törölje le a készüléket egy tiszta ruhával és kis mennyiségű etanollal, ha szükséges.
- Ha a készüléket nem a gyártó által meghatározott módon használja, a védelem szintje csökkenhet.

### **Használati környezet**

- Bizonyosodjon meg, hogy a használati környezet megfelel a készülék előírásainak. A megfelelő üzemelési hőmérséklet-tartomány  $-20^{\circ}\text{C}$  és  $50^{\circ}\text{C}$  ( $-4^{\circ}\text{F}$  -  $122^{\circ}\text{F}$ ) közötti, a megfelelő üzemelési páratartalom pedig 5% és 95% közötti lehet.
- NE IRÁNYÍTSA az objektívet a Nap vagy más erős fényforrás irányába.
- NE TEGYE ki a készüléket erős elektromágneses sugárzásnak.

### **Vészhelyzet**

- A készülék bekötése, telepítése vagy szétszerelése előtt győződjön meg róla, hogy a készülék le van választva az elektromosságról.
- Ha a készülék füstöt, furcsa szagot vagy zajt bocsát ki, azonnal



kapcsolja ki, húzza ki a tápkábelt, majd forduljon a szervizközponthoz.

### **Időszinkronizálás**

● Ha a helyi idő hálózati idővel való szinkronizálása nem történik meg, akkor az eszköz idejét kézzel kell beállítani.

Webböngészőn/kliensszoftveren keresztül nyissa meg az eszközt, majd lépjen az időbeállítás felületre.

### **A gyártó címe**

313-as szoba, B egység, 2-es épület, 399 Danfeng Road, Xixing alkerület, Binjiang kerület, Hangzhou, Zhejiang 310052, Kína  
Hangzhou Microimage Software Co., Ltd.

**MEGFELELŐSÉGI MEGJEGYZÉS:** A termográfias sorozat termékeire exportszabályozás vonatkozhat különböző régiókban és országokban, pl. az Egyesült Államokban, az Európai Unióban, az Egyesült Királyságban és/vagy a wassenaari egyezmény más tagországaiban. Ha a termográfias sorozat termékeit különböző országok közt szeretné szállítani, exportálni vagy újraexportálni, tájékozódjon a szükséges exportengedélyekről és követelményekről egy jogi vagy megfelelőségi szakértőnél, vagy a helyi hatóságoknál.

## 1 Opis urządzenia

### 1.1 Opis urządzenia

Sieciowa kamera termowizyjna (zwana dalej „urządzeniem”) łączy w sobie funkcje zdalnego monitoringu internetowego, serwera wideo i pomiaru temperatury w czasie rzeczywistym.

Operacje związane ze zdalną transmisją, podglądem i konfiguracją można wykonywać przy użyciu przeglądark i oprogramowania klienckiego. Urządzenie to można łatwo zainstalować bez okablowania.

Może być szeroko stosowane w produkcji żywności, codziennym przemyśle chemicznym, testowaniu PCBA, badaniach i innych dziedzinach.

### 1.2 Funkcje

Urządzenie zapewnia następujące funkcje:

- Tryb makro.
- Obraz termowizyjny.
- Wiele palet.
- Kalibracja zapewniająca jednorodność obrazu oraz poprawiająca jego szczegóły i efekty.
- Zaawansowane algorytmy kompresji wideo, które obsługują wysoki współczynnik kompresji przy bardzo niskiej szybkości transmisji.
- Serwer NAS, który zapewnia szybki i niezawodny transfer danych.
- Alarm progów temperatury i inne funkcje pomiaru temperatury, które można analizować na kliencie.
- TCP/IP, HTTP i inne protokoły.
- Zdalna aktualizacja i konserwacja.

### 1.3 Komponent i interfejs (strona 1 – A)

Przedstawiony rysunek służy wyłącznie do celów referencyjnych. Rzeczywisty wygląd urządzenia może różnić się od przedstawionego na rysunku.

Nr	Komponent i interfejs	Opis
----	-----------------------	------

1	Obiektyw termowizyjny	Wyświetlanie obrazu w podczerwieni.
2	Pokrętko trybów	Przełączanie urządzenia do trybu makro lub normalnego.
3	Pokrętko ostrości	Dostosuj długość ogniskową.
4	Otwór na gwint 1/4-20 UNC	Umieszczanie śrub w otworach.
5	Otwór pozycjonujący	Pomaga dopasować urządzenie do bolca pozycjonującego na adapterze.
6	Wskaźniki sieciowe	<ul style="list-style-type: none"> <li>● Miga: przesyłanie danych w sieci.</li> <li>● Włączony: połączenie sieci bez przesyłania danych.</li> </ul>
7	Przycisk resetowania	Naciśnij przycisk i przytrzymaj go przez 10 sekund, a następnie zwolnij, aby przywrócić ustawienia fabryczne urządzenia.
8	Zacisk uziemienia	Podłączanie uziemienia zapewniającego bezpieczeństwo elektryczne.
9	Wskaźnik zasilania	<ul style="list-style-type: none"> <li>● Włączony (zielony): użytkowanie.</li> </ul>

		<ul style="list-style-type: none"> <li>● Włączony (czerwony): system jest uruchomiony.</li> </ul>
10	Gniazdo terminala	Zawiera 10-stykowe złącza.
11	Złącze sieciowe	Komunikacja sieciowa (RJ-45)
12	Przewód sieciowy	Po podłączeniu kabla sieciowego znajdującego się w opakowaniu należy dokręcić śruby na kablu, aby go zabezpieczyć.
13	Zacisk terminala	Włóż zacisk terminala do gniazda terminala i połącz przewody zgodnie z definicją styków opisaną w poniższej tabeli.

#### 1.4 Definicja styków (strona 2 – B)

Nr	Sygnał	Opis
1	Zasilanie	Wejście zasilania 12 V DC. Należy prawidłowo podłączyć terminale dodatni i ujemny.  *Po zainstalowaniu urządzenia można użyć adaptera znajdującego się w pakiecie, aby naładować urządzenie.
2	GND	
3	RS-232_RX	Połączenia szeregowo RS-232, do debugowania urządzenia.
4	RS-232_TX	
5	ALARM_IN	1 wejście alarmu i 2 wyjścia alarmu
6	ALARM_OUTA	

7	ALARM_OUTB	
8	RS485-	Interfejs komunikacji portu szeregowego RS-485.
9	RS485+	
10	CVBS	Analogowe wyjście wideo.

## 2 Aktywacja i dostęp do kamery sieciowej

Aby pobrać aplikację HIKMICRO Studio i zainstalować ją, skorzystaj z witryny internetowej [www.hikmicrotech.com](http://www.hikmicrotech.com).

Aby uzyskać więcej informacji dotyczących obsługi urządzenia, skorzystaj z podręcznika użytkownika.

## 3 Instalacja

Przed instalacją urządzenia należy zapoznać się z instrukcjami zawartymi w tej sekcji.

**⚠Zagrożenie:** Podczas instalacji, podłączania lub odłączania urządzenia należy odłączyć zasilanie, aby zapewnić bezpieczeństwo personelu i urządzenia.

### 3.1 Wymagania wstępne

Przed rozpoczęciem instalacji upewnij się, że urządzenie w pakiecie jest w dobrym stanie, zawiera wszystkie części montażowe, i że zostały przygotowane niezbędne części.

- Podczas instalacji urządzenia należy upewnić się, że temperatura otoczenia mieści się w zakresie  $-20^{\circ}\text{C}\sim+50^{\circ}\text{C}$ , a poziom wilgotności  $\leq 90\%\pm 5\%$  bez kondensacji.
- Urządzenie nie jest wodoszczelne. Nie należy wystawiać urządzenia na bezpośrednie działanie promieni słonecznych ani instalować go samodzielnie na zewnątrz.
- Upewnij się, że dostępne jest wolne miejsce wymagane do instalacji urządzenia i akcesoriów. Patrz wymiary (strona 2 – C) urządzenia, jednostka: mm [cale].
- Podczas instalacji należy ściśle przestrzegać instrukcji bezpieczeństwa zawartych w niniejszej instrukcji.

### 3.2 Instalacja urządzenia

W tej sekcji przedstawiono metody montażu na statywie i statywie mikroskopowym. Wybierz metodę montażu w zależności od rzeczywistych scenariuszy.

### **3.2.1 Mocowanie na statywie (strona 3 – D)**

Urządzenie posiada otwory gwintowane 1/4-20 UNC i może być przymocowane do statywu lub innych stacjonarnych elementów za pomocą adaptera 1/4-20 UNC.

#### ***Procedura:***

1. Przygotuj odpowiedni adapter (②), i przy użyciu śruby 1/4-20 UNC, przymocuj adapter do urządzenia (①) za pośrednictwem otworów gwintowych 1/4-20 UNC w urządzeniu.
2. Umieść zmontowane urządzenie i adapter na płycie montażowej i użyj pokrętła zwalniającego. (③) na statywie w celu zamontowania urządzenia.

### **3.2.2 Mocowanie na stojaku mikroskopowym (strona 4, 5 – E)**

Urządzenie ma gwintowane otwory 1/4-20 UNC (⑥) i może być montowane na stojakach mikroskopu (③) za pośrednictwem adaptera 1/4-20 UNC w scenariuszach makro.

#### ***Procedura:***

1. Dostosuj bolec pozycyjny (①) na adapterze (②) przy użyciu otworu pozycjonującego (④) na urządzeniu.
2. Dokręć śrubę mocującą (⑤) na stojaku mikroskopu, aby zamocować urządzenie na stojaku.
3. Dostosuj odległość obiektu i upewnij się, że odległość między urządzeniem a celem wynosi 4,3 cm.
4. Przekręć pokrętło trybu na tryb makro (⑦), a następnie obróć pokrętło ostrości (⑧), aby wyrównać dwa bolce pozycjonujące (⑨).

## **4 Podręcznik użytkownika (strona 4 – F)**

### **5 Pomoc techniczna**

Portal <https://www.hikmicrotech.com/en/contact-us.html> ułatwia klientom firmy HIKMICRO optymalne korzystanie z jej produktów. Ten portal internetowy zapewnia dostęp, między innymi, do naszego zespołu pomocy technicznej, oprogramowania, dokumentacji i usług.

## **Informacje dotyczące zgodności z przepisami i bezpieczeństwa**

Przed skorzystaniem z urządzenia należy uważnie przeczytać ten podręcznik i zachować go jako źródło informacji referencyjnych.

Aby uzyskać więcej informacji dotyczących urządzenia, skorzystaj z naszej witryny internetowej

<https://www.hikmicrotech.com>. Aby uzyskać więcej informacji, można też skorzystać z innych dokumentów dostarczonych razem z urządzeniem lub zeskanować kod QR na opakowaniu.

### **ZASTRZEŻENIA PRAWNE**

W PEŁNYM ZAKRESIE DOZWOLONYM PRZEZ OBOWIĄZUJĄCE PRAWO TEN PODRĘCZNIK, OPISANY PRODUKT I ZWIĄZANE Z NIM WYPOSAŻENIE ORAZ OPROGRAMOWANIE APLIKACYJNE I UKŁADOWE SĄ UDOSTĘPNIANE NA ZASADACH „AS IS” BEZ GWARANCJI BRAKU USTEREK I BŁĘDÓW („WITH ALL FAULTS AND ERRORS”). FIRMA HIKMICRO NIE UDZIELA ŻADNYCH WYRAŹNYCH ANI DOROZUMIANYCH GWARANCJI, TAKICH JAK GWARANCJE DOTYCZĄCE PRZYDATNOŚCI HANDLOWEJ, JAKOŚCI LUB PRZYDATNOŚCI DO OKREŚLONEGO CELU. UŻYTKOWNIK KORZYSTA Z PRODUKTU NA WŁASNE RYZYKO. NIEZALEŻNIE OD OKOLICZNOŚCI FIRMA HIKMICRO NIE PONOSI ODPOWIEDZIALNOŚCI ZA STRATY SPECJALNE, NASTĘPCZE, UBOCZNE LUB POŚREDNIE, TAKIE JAK STRATA OCZEKIWANYCH ZYSKÓW Z DZIAŁALNOŚCI BIZNESOWEJ, PRZERWY W DZIAŁALNOŚCI BIZNESOWEJ, USZKODZENIE SYSTEMÓW ALBO STRATA DANYCH LUB DOKUMENTACJI, WYNIKAJĄCE Z NARUSZENIA UMOWY, PRZEWINIENIA (ŁĄCZNIE Z ZANIEDBANIEM), ODPOWIEDZIALNOŚCI ZA PRODUKT LUB INNYCH OKOLICZNOŚCI, ZWIĄZANE Z UŻYCIEM TEGO PRODUKTU, NAWET JEŻELI FIRMA HIKMICRO ZOSTAŁA POINFORMOWANA O MOŻLIWOŚCI WYSTĄPIENIA TAKICH SZKÓD LUB STRAT.

UŻYTKOWNIK PRZYJMUJE DO WIADOMOŚCI, ŻE KORZYSTANIE Z INTERNETU JEST ZWIĄZANE Z ZAGROŻENIAMI DLA BEZPIECZEŃSTWA, A FIRMA HIKMICRO NIE PONOSI ODPOWIEDZIALNOŚCI ZA NIEPRAWIDŁOWE FUNKCJONOWANIE,

WYCIEK POUFNYCH INFORMACJI LUB INNE SZKODY WYNIKAJĄCE Z ATAKU CYBERNETYCZNEGO, ATAKU HAKERA, DZIAŁANIA WIRUSÓW LUB INNYCH ZAGROŻEŃ DLA BEZPIECZEŃSTWA W INTERNECIE. FIRMA HIKMICRO ZAPEWNI JEDNAK POMOC TECHNICZNĄ W ODPOWIEDNIM CZASIE, JEŻELI BĘDZIE TO WYMAGANE.

UŻYTKOWNIK ZOBOWIĄDUJE SIĘ DO KORZYSTANIA Z PRODUKTU ZGODNIE Z PRZEPISAMI I PRZYJMUJE DO WIADOMOŚCI, ŻE JEST ZOBOWIĄZANY DO ZAPEWNIENIA ZGODNOŚCI UŻYCIA PRODUKTU Z PRZEPISAMI.

W SZCZEGÓLNOŚCI UŻYTKOWNIK JEST ZOBOWIĄZANY DO KORZYSTANIA Z PRODUKTU W SPOSÓB, KTÓRY NIE NARUSZA PRAW STRON TRZECICH, DOTYCZĄCYCH NA PRZYKŁAD WIZERUNKU KOMERCYJNEGO, WŁASNOŚCI INTELEKTUALNEJ LUB OCHRONY DANYCH I PRYWATNOŚCI. UŻYTKOWNIK NIE BĘDZIE UŻYWAĆ PRODUKTU DO CELÓW ZABRONIONYCH, TAKICH JAK OPRACOWANIE LUB PRODUKCJA BRONI MASOWEGO RAŻENIA ALBO BRONI CHEMICZNEJ LUB BIOLOGICZNEJ ORAZ DZIAŁANIA ZWIĄZANE Z WYBUCHOWYMI MATERIAŁAMI NUKLEARNYMI, NIEBEZPIECZNYM NUKLEARNYM CYKLEM PALIWOWYM LUB ŁAMANIEM PRAW CZŁOWIEKA.

W PRZYPADKU NIEZGODNOŚCI NINIEJSZEGO PODRĘCZNIKA Z OBOWIĄZUJĄCYM PRAWEM WYŻSZY PRIORYTET BĘDZIE MIAŁO OBOWIĄZUJĄCE PRAWO.

### **Informacje dotyczące przepisów**

---

**Te klauzule dotyczą tylko produktów z odpowiednimi oznaczeniami lub etykietami.**

---

### **Deklaracja zgodności z dyrektywami UE**



Ten produkt i ewentualnie dostarczone razem z nim akcesoria oznaczono symbolem „CE”

potwierdzającym zgodność z odpowiednimi ujednoliconymi normami europejskimi, uwzględnionymi w dyrektywie 2014/30/EU (EMCD) i dyrektywie 2011/65/EU (RoHS).

Uwaga: Produkty przystosowane do napięcia wejściowego

---



50–1000 V AC lub 75–1500 V DC są zgodne z dyrektywą 2014/35/EU (LVD), a pozostałe produkty są zgodne z dyrektywą 2001/95/EC (GPSD). Należy sprawdzić specyfikacje zasilania urządzenia.

Ostrzeżenie: To jest produkt klasy A. W budynkach mieszkalnych ten produkt może powodować zakłócenia radiowe. W takich okolicznościach użytkownik może być zobowiązany do zastosowania adekwatnych środków zaradczych.



Dyrektywa 2012/19/EU w sprawie zużytego sprzętu elektrycznego i elektronicznego (WEEE):

Produktów oznaczonych tym symbolem nie wolno utylizować na obszarze Unii Europejskiej jako

niesegregowane odpady komunalne. Aby zapewnić prawidłowy recykling tego produktu, należy zwrócić go do lokalnego dostawcy przy zakupie równoważnego nowego urządzenia lub utylizować go w wyznaczonym punkcie selektywnej zbiórki odpadów. Aby uzyskać więcej informacji, zobacz:

[www.recyclethis.info](http://www.recyclethis.info)



Dyrektywa 2006/66/EC w sprawie baterii i akumulatorów i zmieniająca ją dyrektywa 2013/56/EU: Ten produkt zawiera baterię, której nie wolno utylizować na obszarze

Unii Europejskiej jako niesegregowane odpady komunalne. Szczegółowe informacje dotyczące baterii zamieszczono w dokumentacji produktu. Bateria jest oznaczona tym symbolem, który może także zawierać litery wskazujące na zawartość kadmu (Cd), ołowiu (Pb) lub rtęci (Hg). Aby zapewnić prawidłowy recykling baterii, należy zwrócić ją do dostawcy lub przekazać do wyznaczonego punktu zbiórki. Aby uzyskać więcej informacji, zobacz [www.recyclethis.info](http://www.recyclethis.info).

### **Zalecenia dotyczące bezpieczeństwa**

Te zalecenia umożliwiają prawidłowe korzystanie z produktu i zapobieganie zagrożeniu użytkowników lub zniszczeniu wyposażenia. Przed użyciem urządzenia należy przeczytać wszystkie zalecenia dotyczące bezpieczeństwa.

## **Przepisy i rozporządzenia**

Urządzenie powinno być użytkowane zgodnie z lokalnymi przepisami, rozporządzeniami dotyczącymi korzystania z wyposażenia elektrycznego i przepisami przeciwpożarowymi.

## **Transport**

- Podczas transportu urządzenie powinno być umieszczone w oryginalnym lub podobnym opakowaniu.
- Należy chronić urządzenie przed upadkiem lub uderzeniami mechanicznymi. Należy chronić urządzenie przed zakłóceniami magnetycznymi.

## **Bezpieczne korzystanie z urządzeń elektrycznych**

- **PRZESTROGA:** Jeżeli konieczna jest wymiana bezpieczników, należy używać bezpieczników tego samego typu, aby ograniczyć ryzyko pożaru lub porażenia prądem elektrycznym.
- Jeśli bezpiecznik jest podłączony do przewodu neutralnego i uruchomienie bezpiecznika do podwójnego bieguna/neutralnego, części urządzenia, które pozostają pod napięciem, mogą stanowić zagrożenie podczas serwisowania po zadziałaniu bezpiecznika.
- Urządzenie musi być podłączone do uziemionego gniazda sieci elektrycznej.
- Gniazdo sieci elektrycznej powinno być zainstalowane w łatwo dostępnym miejscu w pobliżu urządzenia.
- Nieosłoniętych elementów urządzenia (takich jak metalowe styki złączy) można dotykać nie wcześniej niż pięć minut po wyłączeniu zasilania, ponieważ należy poczekać na usunięcie ładunków elektrycznych.
- Jeżeli urządzenie jest podłączone do sieci elektrycznej przewodem zasilającym, należy upewnić się, że przewód i złącza są przystosowane do napięcia sieci.

## **Bateria**

Ostrzeżenie:

- Należy chronić produkt i baterię przed wodą.
- Należy chronić produkt przed ekstremalnie wysokimi temperaturami (np. ogniem lub rozgrzanym piekarnikiem), które mogą spowodować wybuch baterii albo wyciek palnej cieczy lub gazu z baterii.

- Należy chronić produkt przed kontaktem z gorącymi zbiornikami, pralkami i zbiornikami ciśnieniowymi.
- Należy zapewnić odpowiednią temperaturę i wilgotność oraz brak bezpośredniego światła słonecznego, przeszkód i substancji łatwopalnych w miejscu instalacji produktu, aby zapobiec zagrożeniu.
- Należy chronić produkt przed ekstremalnie niskim ciśnieniem powietrza, które może spowodować wybuch albo wyciek palnej cieczy lub gazu.

Przechowywanie:

- Baterię należy przechowywać w magazynie lub innej lokalizacji w budynku, w której bateria jest chroniona przed intensywnym światłem i wodę. Nie wolno umieszczać baterii w miejscu, w którym może być narażona na bezpośrednio światło słoneczne, deszcz lub wodę.
- Wymagania dotyczące temperatury w miejscu przechowywania baterii: Od 10°C do 30°C.
- Wymagania dotyczące wilgotności względnej w miejscu przechowywania baterii: wilgotność względna  $\leq 60\%$ .

Obsługa i użytkowanie:

- Ostrzeżenie: Urządzenie zawiera wbudowane baterie, których nie wolno demontować, wymieniać ani modyfikować bez pomocy odpowiednio wykwalifikowanej osoby. Ignorowanie tego zalecenia może spowodować wybuch, pożar lub korozję chemiczną.
- Ostrzeżenie: Nie wolno zgniatać, przekłuwać, uderzać, poddawać naprężeniom mechanicznym ani demontować baterii. Jeżeli bateria jest uszkodzona, może spowodować nagrzewanie, pożar lub wybuch.
- Ostrzeżenie: Jeżeli bateria jest uszkodzona, należy skontaktować się z działem serwisowym w celu wymiany baterii. Nie wolno samodzielnie naprawiać ani wymieniać tego podzespołu.
- Temperatura podczas ładowania i rozładowywania nie powinna przekraczać zalecanego zakresu, a w miejscu ładowania nie powinny znajdować się osłony lub materiały łatwopalne, które mogą powodować zagrożenie.

- Podczas transportu bateria powinna być częściowo naładowana.
  - Podczas sprawdzania baterii należy korzystać z okularów i rękawic ochronnych.
  - W przypadku kontaktu cieczy wyciekającej z baterii ze skórą lub oczami należy niezwłocznie opłukać skażone miejsce czystą wodą i natychmiast skorzystać z pomocy medycznej.
  - W przypadku zapalenia baterii należy użyć gaśnicy pianowej lub proszkowej albo piasku gaśniczego.
  - Należy używać oryginalnej lub zalecanej ładowarki do baterii. Nieodpowiednie metody ładowania i ładowarki mogą spowodować uszkodzenie lub zapalenie baterii albo inne problemy.
  - Nie wolno ładować baterii uszkodzoną ładowarką.
  - Po upływie zalecanego czasu należy przerwać ładowanie, aby zapobiec rozgrzewaniu, wybuchowi lub zapaleniu baterii.
- Wymogi dotyczące utylizacji zużytych baterii:
- Baterie zawierają substancje toksyczne i niebezpieczne. Zużyte baterie należy utylizować zgodnie z odpowiednimi krajowymi przepisami, rozporządzeniami i normami.

### **Ochrona przeciwpożarowa**

- Nie wolno umieszczać na urządzeniu źródeł nieosłoniętego płomienia, takich jak zapalone świece.
- W przypadku urządzenia z otworami wentylacyjnymi nie wolno przykrywać otworów wentylacyjnych przedmiotami, takimi jak gazety, obrusy lub zasłony, ponieważ powoduje to ograniczenie wentylacji. Nie wolno umieszczać urządzenia na łóżku, sofie lub dywanie w sposób powodujący blokowanie otworów w obudowie urządzenia.

### **Gorące elementy**



- **PRZESTROGA:** Gorąca powierzchnia! Nie dotykać. Dotknięcie gorących elementów może spowodować oparzenie palców. Po wyłączeniu zasilania należy odczekać pół godziny przed dotknięciem elementów urządzenia.

### **Zasilanie**

- Napięcie wejściowe powinno spełniać wymagania dotyczące źródeł zasilania z własnym ograniczeniem (LPS; 12 V DC) zgodnie z normą IEC62368. Szczegółowe informacje zamieszczono w sekcji zawierającej dane techniczne.
- Należy upewnić się, że wtyczka jest prawidłowo podłączona do gniazda sieci elektrycznej.
- NIE wolno podłączać wielu urządzeń do jednego zasilacza, ponieważ może to spowodować przegrzanie lub zagrożenie pożarowe na skutek przeciążenia.
- Symbol „+” oznacza dodatnie styki prądu stałego w urządzeniu. Symbol „-” oznacza ujemne styki prądu stałego w urządzeniu.

### **Instalacja**

- Urządzenie należy zainstalować zgodnie z instrukcjami podanymi w tym podręczniku.
- Aby zapobiec zranieniu, należy prawidłowo przymocować urządzenie zgodnie z instrukcjami instalacyjnymi.
- Nie wolno instalować urządzenia na niestabilnym podłożu. Urządzenie może upaść i spowodować poważne zranienie lub zgon.
- Urządzenie nie powinno być używane w lokalizacjach, w których mogą przebywać dzieci.
- To urządzenie powinno być używane wyłącznie z odpowiednimi uchwytami. Użycie innych uchwytów (wózków lub statywów) może spowodować zranienie na skutek niestabilności urządzenia.

### **Zabezpieczenia systemu**

- Użytkownik jest zobowiązany do skonfigurowania wszystkich haseł i ustawień zabezpieczeń urządzenia oraz ochrony własnej nazwy użytkownika i hasła.

### **Konserwacja**

- Jeżeli produkt nie działa prawidłowo, skontaktuj się z dystrybutorem lub najbliższym centrum serwisowym. Producent nie ponosi odpowiedzialności za problemy spowodowane przez nieautoryzowane prace naprawcze lub konserwacyjne.
- Należy przetrzeć urządzenie ostrożnie czystą ściereczką zwilżoną niewielką ilością etanolu, jeżeli jest to konieczne.

- Użycie urządzenia niezgodnie z zaleceniami może spowodować anulowanie gwarancji producenta.

### **Warunki otoczenia**

- Należy upewnić się, że warunki otoczenia spełniają wymagania określone przez producenta urządzenia. Podczas użytkowania urządzenia temperatura otoczenia nie powinna przekraczać zakresu od  $-20^{\circ}\text{C}$  do  $50^{\circ}\text{C}$ , a wilgotność powietrza powinna wynosić od 5% do 95%.
- NIE wolno kierować obiektywem w stronę słońca lub innego źródła intensywnego światła.
- Należy chronić urządzenie przed silnym promieniowaniem elektromagnetycznym.

### **Poważne awarie**

- Przed podłączeniem, instalacją lub demontażem urządzenia należy odłączyć jego zasilanie.
- Jeżeli urządzenie wydziela dym lub intensywny zapach albo emituje hałas, należy niezwłocznie wyłączyć zasilanie i odłączyć przewód zasilający, a następnie skontaktować się z centrum serwisowym.

### **Synchronizacja czasu**

- Podczas pierwszego dostępu można ręcznie ustawić czas urządzenia, jeżeli nie jest on zsynchronizowany z czasem sieci. Okno ustawień czasu urządzenia można wyświetlić przy użyciu przeglądarki internetowej lub oprogramowania klienckiego.

### **Adres producenta**

Room 313, Unit B, Building 2, 399 Danfeng Road, Xixing  
Subdistrict, Binjiang District, Hangzhou, Zhejiang 310052, Chiny  
Hangzhou Microimage Software Co., Ltd.

### **UWAGA DOTYCZĄCA ZGODNOŚCI Z PRZEPISAMI:**

Produkty termowizyjne mogą podlegać kontroli eksportu w różnych krajach lub regionach, takich jak Stany Zjednoczone, Wielka Brytania lub kraje członkowskie Unii Europejskiej, które sygnowały porozumienie Wassenaar. Jeżeli planowane jest przesyłanie, eksportowanie lub reeksportowanie produktów termowizyjnych przez granice państw, należy skonsultować się z ekspertem w dziedzinie prawa lub zgodności z przepisami

albo lokalnymi urzędami administracji państwowej, aby uzyskać informacje dotyczące wymaganej licencji eksportowej.

## 1 Prezentare generală

### 1.1 Descriere scurtă

Camera termografică tip cutie de rețea (denumită în continuare „dispozitivul”) integrează funcțiile de supraveghere de la distanță prin internet, server video și măsurare a temperaturii în timp real.

Transmisiunea de la distanță, previzualizarea și configurarea se pot efectua prin intermediul browserelor și al clienților.

Dispozitivul poate fi instalat simplu, fără sistem de cabluri structurat.

Se poate folosi la scară largă în producția de alimente, în industria chimică obișnuită, testarea PCBA, cercetări și alte domenii.

### 1.2 Funcții

Dispozitivul are următoarele funcții:

- Mod Macro.
- Imagini termice.
- Multiple Palete de culori.
- Calibrarea care asigură uniformitatea imaginilor și îmbunătățește detaliile și efectele de imagine.
- Algoritmi de compresie video performanți care fac posibile rate de compresie ridicate cu rate de biți ultra-scăzute.
- NAS rapid și fiabil, cu performanțe de transferuri de date superioare.
- Alarmă de prag de temperatură și alte funcții de măsurare a temperaturii care pot fi analizate pe client.
- TCP/IP, HTTP și alte protocoale.
- Reparare și întreținere de la distanță.

### 1.3 Componente și interfață (Pagina 1 – A)

Imaginea este doar pentru referință. Dispozitivul efectiv are prioritate.

Nr.	Componente și interfață	Descriere
1	Obiectiv termic	Vizualizați imaginea termică.



2	Mod apelare	Comutați dispozitivul în modul macro sau în modul normal.
3	Rotiță de focalizare	Reglați lungime focală.
4	Orificiu cu filet 1/4-20 UNC	Montați șuruburile.
5	Gaură de localizare	Facilitează alinierea dispozitivului la știftul de poziționare al adaptorului.
6	Indicatori stare rețea	<ul style="list-style-type: none"> <li>● Intermitent: se transmit date de rețea.</li> <li>● Solid: rețeaua este conectată fără transmisie de date.</li> </ul>
7	Butonul de resetare	Apăsăți timp de 10 s și eliberați butonul, iar dispozitivul se va restabili la setările din fabrică.
8	Șurub de împământare	Conectați la terminalul de împământare, pentru a garanta siguranța electrică.
9	Indicator de putere	<ul style="list-style-type: none"> <li>● Verde solid: stare de funcționare.</li> <li>● Roșu continuu: Sistem în stare de funcționare.</li> </ul>
10	Priză de conexiuni	Conține conectori cu 10 pini.
11	Interfață de rețea	RJ-45, comunicații în

		rețea
12	Cablu de rețea	La conectarea cablului de rețea din pachet, strângeți șuruburile pe cablu ca să-l fixați.
13	Blocuri de conexiuni	Introduceți blocul de conexiuni în priza de conexiuni și conectați firele conform descrierii pinului din următorul tabel.

#### 1.4 Definiția pinului (Pagina 2 – B)

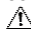
Nr.	Semnal	Descriere
1	Putere	Alimentare cu curent de 12 V c.c. Aveți grijă să conectați corect contactele pozitive și negative.  *După ce instalați dispozitivul, puteți utiliza adaptorul din pachet pentru a-l încărca.
2	GND	
3	RS-232_RX	Comunicații seriale RS-232 pentru depanarea dispozitivului.
4	RS-232_TX	
5	ALARM_IN	1 Intrare de alarmă; 2 leșiri de alarmă.
6	ALARM_OUTA	
7	ALARM_OUTB	
8	RS485-	Interfață de comunicații prin port serial RS-485.
9	RS485+	
10	CVBS	leșire video analogică.

## 2 Activarea și accesarea camerei de rețea

Vizitați [www.hikmicrotech.com](http://www.hikmicrotech.com) pentru a descărca și instala HIKMICRO Studio. Consultați manualul de utilizare al dispozitivului pentru operațiuni detaliate.

## 3 Instalarea

Înainte de a instala dispozitivul, citiți instrucțiunile din această secțiune.

 **Pericol:** Întrerupeți complet alimentarea cu curent atunci când instalați dispozitivul, îl conectați la, respectiv îl deconectați de la priză, din considerente de siguranță a personalului și a dispozitivului.

### 3.1 Cerințe

Asigurați-vă că dispozitivul din pachet este în stare bună și că toate piesele pentru asamblare sunt incluse. Înainte de instalare pregătiți piesele necesare.

- La instalarea dispozitivului, asigurați-vă că temperatura ambiantă este între  $-20\text{ }^{\circ}\text{C}$  și  $+50\text{ }^{\circ}\text{C}$ . Nivelul umidității relative trebuie să fie de  $\leq 90\% \pm 5\%$  fără condens.
- Dispozitivul nu este etanș. Nu expuneți dispozitivul acțiunii directe a razelor soarelui și nu-l instalați independent în exterior.
- Asigurați-vă că există suficient spațiu pentru instalarea dispozitivului și a accesoriilor. Consultați dimensiunile (Pagina 2 – C) dispozitivului, unitate: mm [inch].
- În timpul instalării respectați cu strictețe Instrucțiunile de siguranță din acest ghid.

### 3.2 Montați dispozitivul

Această secțiune prezintă metodele de montare pe trepied și pe suportul de microscop, în scop informativ. Alegeți metoda de instalare potrivită situației.

#### 3.2.1 Fixarea pe trepied (Pagina 3 – D)

Dispozitivul are orificii filetate 1/4-20 UNC și poate fi fixat pe un trepied și pe alte suporturi staționare prin intermediul adaptorului 1/4-20 UNC.

**Pași:**

1. Pregătiți un adaptor potrivit (②) și fixați adaptorul pe dispozitiv cu șurubul 1/4-20 UNC (①) folosind orificiile cu filet 1/4-20 UNC de pe dispozitiv.
2. Așezați dispozitivul asamblat și adaptorul pe placa de montare și utilizați blocatorul (③) de pe trepied ca să fixați dispozitivul.

### **3.2.2 Fixarea pe suportul de microscop (Pagina 4, 5 – E)**

Dispozitivul are orificii cu filet 1/4-20 UNC (⑥) și poate fi fixat pe suporturile de microscop (③) prin intermediul unui adaptor 1/4-20 UNC în scenariile macro.

#### ***Pași:***

1. Aliniați știftul de poziționare (①) de pe adaptor (②) cu orificiul de poziționare (④) de pe dispozitiv.
2. Strângeți șurubul de fixare (⑤) de pe suportul de microscop ca să fixați dispozitivul pe acesta.
3. Reglați distanța obiectului și asigurați-vă că distanța dintre dispozitiv și țintă este de 4,3 cm.
4. Comutați modul apelare la modul macro (⑦), apoi rotiți roțița de focalizare (⑧) pentru a alinia cele două știfturi de localizare (⑨).

### **4 Manual de utilizare (Pagina 4 – F)**

## **5 ASISTENȚĂ TEHNICĂ**

Portalul <https://www.hikmicrotech.com/en/contact-us.html> vă va ajuta, în calitate de client HIKMICRO să profitați la maximum de produsele HIKMICRO. Portalul vă oferă acces la echipa noastră de asistență, software și documentație, contacte de service etc.

### **Conformitatea cu reglementările și informații privind siguranța**

Citiți cu atenție toate informațiile și instrucțiunile din acest document înainte de a utiliza dispozitivul și păstrați-l pentru referințe ulterioare.

Pentru mai multe informații și instrucțiuni despre dispozitiv, vă rugăm să vizitați site-ul nostru web la <https://www.hikmicrotech.com>. De asemenea, puteți consulta alte documente (dacă există) care însoțesc dispozitivul sau puteți scana codul QR (dacă există) de pe ambalaj pentru a obține mai

multe informații.

## **PRECIZĂRI LEGALE**

ÎN MĂSURA MAXIMĂ PERMISĂ DE LEGISLAȚIA APLICABILĂ, ACEST MANUAL ȘI PRODUSUL DESCRIS, ÎMPREUNĂ CU HARDWARE-UL, SOFTWARE-UL ȘI FIRMWARE-UL SĂU, SUNT FURNIZATE „CA ATARE” ȘI „CU TOATE DEFECTELE ȘI ERORILE”. HIKMICRO NU OFERĂ GARANȚII, EXPLICITE SAU IMPLICITE, INCLUSIV, FĂRĂ LIMITARE, VANDABILITATE, CALITATE SATISFĂCĂTOARE SAU ADECVARE PENTRU UN ANUMIT SCOP. UTILIZAREA PRODUSULUI DE CĂTRE DVS. ESTE PE PROPRIUL RISC. ÎN NICIUN CAZ HIKMICRO NU VA FI RĂSPUNZĂTOR FAȚĂ DE DVS. PENTRU ORICE DAUNE SPECIALE, CONSECVENTE, ACCIDENTALE SAU INDIRECTE, INCLUSIV, PRINTRE ALTELE, DAUNE PENTRU PIERDEREA PROFITURILOR DE AFACERI, ÎNTRERUPEREA AFACERII, SAU PIERDEREA DATELOR, CORUPȚIA SISTEMELOR SAU PIERDEREA DOCUMENTAȚIEI, FIE CĂ SE BAZEAZĂ PE ÎNCĂLCAREA CONTRACTULUI, DELICT (INCLUSIV NEGLIJENȚĂ), RĂSPUNDEREA PRODUSULUI SAU ÎN ALT MOD, ÎN LEGĂTURĂ CU UTILIZAREA PRODUSULUI, CHIAR DACĂ HIKMICRO A FOST INFORMAT CU PRIVIRE LA POSIBILITATEA UNOR ASTFEL DE DAUNE SAU PIERDERI.

RECUNOAȘTEȚI CĂ NATURA INTERNETULUI ASIGURĂ RISCURI DE SECURITATE INERENTE, IAR HIKMICRO NU ÎȘI ASUMĂ NICIO RESPONSABILITATE PENTRU FUNCȚIONAREA ANORMALĂ, SCURGERI DE CONFIDENȚIALITATE SAU ALTE DAUNE REZULTATE DIN ATACURILE CIBERNETICE, ATACURILE HACKERILOR, INFECȚIILOR CU VIRUȘI SAU ALTE RISCURI DE SECURITATE PE INTERNET; CU TOATE ACESTEA, HIKMICRO VA OFERI ASISTENȚĂ TEHNICĂ ÎN TIMP UTIL, DACĂ ESTE NECESAR.

SUNTEȚI DE ACORD SĂ UTILIZAȚI ACEST PRODUS ÎN CONFORMITATE CU TOATE LEGILE APLICABILE, DEVENIND RESPONSABIL PENTRU UTILIZAREA ÎN CONFORMITATE CU LEGEA APLICABILĂ. ÎN SPECIAL, SUNTEȚI RESPONSABIL, PENTRU UTILIZAREA ACESTUI PRODUS ÎNTR-UN MOD CARE NU ÎNCALCĂ DREPTURILE TERȚILOR, INCLUSIV, FĂRĂ LIMITARE,

DREPTURILE DE PUBLICITATE, DREPTURILE DE PROPRIETATE INTELECTUALĂ SAU PROTECȚIA DATELOR ȘI ALTE DREPTURI DE CONFIDENȚIALITATE. NU VEȚI UTILIZA ACEST PRODUS PENTRU UTILIZĂRI FINALE INTERZISE, INCLUSIV PENTRU DEZVOLTAREA SAU PRODUCEREA DE ARME DE DISTRUGERE ÎN MASĂ, DEZVOLTAREA SAU PRODUCEREA DE ARME CHIMICE SAU BIOLOGICE, DESFĂȘURAREA ORICĂROR ACTIVITĂȚI ÎN CONTEXTUL ORICĂRUI EXPLOZIBIL NUCLEAR SAU AL UNUI CICLU DE PRODUCȚIE A UNUI COMBUSTIBIL NUCLEAR CARE NU PREZINTĂ SIGURANȚĂ SAU ÎN SPRIJINUL ÎNCĂLCĂRII DREPTURILOR OMULUI.

ÎN CAZUL UNOR CONFLICTE ÎNTRE ACEST MANUAL ȘI LEGEA APLICABILĂ, ACESTA DIN URMĂ PREVALEAZĂ.

### **Informații de reglementare**

---

**Aceste clauze se aplică numai produselor care poartă marca sau informațiile corespunzătoare.**

---

### **Declarație de conformitate UE**



Acest produs și - dacă este cazul - și accesoriile furnizate sunt marcate cu "CE" și, prin urmare, sunt conforme cu standardele europene armonizate aplicabile enumerate în Directiva 2014/30/UE (EMCD) și Directiva 2011/65/UE (RoHS).

Notă: Produsele cu o tensiune de intrare cuprinsă între 50 și 1000 V c.a. sau 75 și 1500 V c.c. sunt conforme cu Directiva 2014/35/UE (LVD), iar restul produselor sunt conforme cu Directiva 2001/95/CE (GPSD). Verificați informațiile specifice privind sursa de alimentare pentru referință.

Avertizare: Acesta este un produs din Clasa A. Într-un mediu casnic, acest produs poate cauza interferențe radio, iar în acest caz, utilizatorul poate fi obligat să ia măsuri adecvate.



2012/19/UE (directiva DEEE): Produsele marcate cu acest simbol nu pot fi eliminate ca deșeuri municipale nesortate în Uniunea Europeană. Pentru o reciclare adecvată, returnați acest produs furnizorului local la achiziționarea unui echipament nou echivalent sau predați-l într-unul dintre punctele de colectare desemnate. Pentru mai

---

multe informații vezi: [www.recyclethis.info](http://www.recyclethis.info)



2006/66/CE și amendamentul său 2013/56/UE (directiva privind bateriile): Acest produs conține o baterie care nu poate fi eliminată ca deșeu municipal nesortat în Uniunea Europeană. Consultați documentația produsului pentru informații specifice despre baterie. Bateria este marcată cu acest simbol, care poate include litere pentru a indica cadmiul (Cd), plumbul (Pb) sau mercurul (Hg). Pentru o reciclare corectă, returnați bateria furnizorului dvs. sau la un punct de colectare desemnat. Pentru mai multe informații, consultați: [www.recyclethis.info](http://www.recyclethis.info).

### **Instrucțiuni de siguranță**

Aceste instrucțiuni sunt menite să asigure că utilizatorul poate utiliza corect produsul pentru a evita pericolul sau pierderea proprietății. Vă rugăm să citiți cu atenție toate informațiile de siguranță înainte de utilizare.

### **Legi și reglementări**

Dispozitivul trebuie utilizat în conformitate cu legile locale, reglementările privind siguranța electrică și reglementările privind prevenirea incendiilor.

### **Transport**

- Păstrați dispozitivul în ambalajul original sau similar în timpul transportului.
- NU scăpați produsul și NU îl supuneți la șocuri fizice. Păstrați dispozitivul departe de interfața magnetică.

### **Siguranță electrică**

- ATENȚIE: Dacă siguranța dispozitivului poate fi înlocuită, înlocuiți-o numai cu o alta de același tip pentru a reduce riscul de incendiu sau de electrocutare.
- Dacă o siguranță este conectată la firul nul și apare o fuziune dublă pol/nul, părțile dispozitivului care rămân energizate ar putea reprezenta un pericol în timpul întreținerii după operarea siguranței.
- Dispozitivul trebuie conectat la o priză de rețea împământată.
- Priza de curent trebuie să fie instalată în apropierea dispozitivului și trebuie să fie ușor accesibilă.
- Nu atingeți componentele neizolate (precum contactele

metalice ale bornelor de intrare) și așteptați cel puțin 5 minute, întrucât poate exista electricitate și după oprirea dispozitivului.

● Dacă dispozitivul este alimentat prin terminale conectate la cablul de alimentare, asigurați tensiunea și cablarea corectă a terminalelor pentru conectarea la o rețea de alimentare.

## **Baterie**

Avertizare:

- Nu umeziți și nu supuneți produsul sau bateria la apă.
- Nu supuneți produsul la un mediu cu temperaturi extrem de ridicate, cum ar fi la foc sau la cuptor pentru a evita o eventuală explozie sau scurgerea de lichid sau gaz inflamabil.
- Nu supuneți produsul la vase încălzite, mașini de spălat sau vase sub presiune.
- Mediul de instalare a produsului trebuie să se încadreze în intervalul specificat de temperatură și umiditate, să evite expunerea directă la soare și să nu fie înconjurat de obstacole sau substanțe inflamabile, în caz contrar putând exista riscuri.
- Nu supuneți produsul la o presiune extrem de scăzută a aerului, care poate duce la o explozie sau la scurgerea de lichid sau gaz inflamabil.

Stocare:

- Bateria trebuie depozitată într-o magazie sau într-un alt mediu interior care nu este expus la lumină sau apă. Nu așezați bateria în lumina directă a soarelui sau în zone care pot fi expuse la ploaie sau apă.
- Cerință privind temperatura de stocare a bateriei: 10 °C – 30 °C.
- Cerință privind umiditatea relativă de stocare a bateriei: ≤ 60% RH.

Operare și utilizare:

- Avertizare: Dispozitivul conține baterii care nu trebuie dezamblate, înlocuite sau modificate fără asistență specializată. În caz contrar, există riscul de explozie, incendiu sau coroziune chimică.
- Avertizare: Bateria nu trebuie strânsă, perforată, lovită, șocată mecanic sau dezamblată. Dacă bateria este deteriorată, poate provoca căldură, incendiu sau explozie.



- Avertizare: Dacă bateria este deteriorată, contactați serviciul post-vânzare pentru a o înlocui. Nu reparați și nu înlocuiți componenta pe cont propriu.
  - Încărcați și descărcați în intervalul de temperatură specificat și asigurați-vă că nu există acoperiri închise sau materiale inflamabile în timpul încărcării, în caz contrar putând exista riscuri.
  - Bateria trebuie livrată parțial încărcată.
  - Când verificați bateria, trebuie să purtați ochelari de protecție și mănuși.
  - Dacă bateria se scurge și lichidul ajunge pe piele sau în ochi, clătiți cu apă curată cât mai curând posibil și solicitați imediat asistență medicală.
  - Dacă bateria ia foc, utilizați un stingător cu spumă, un stingător cu pulbere uscată sau nisip pentru incendii pentru a stinge focul.
  - Utilizați încărcătorul de baterie original sau specificat.
- Metodele de încărcare incorecte și încărcătoarele necorespunzătoare pot deteriora bateria și pot provoca incendiu sau alte probleme.
- Nu încărcați bateria cu un încărcător defect.
  - Opriți încărcarea după ce ați epuizat timpul de încărcare specificat, altfel bateria se poate încălzi, exploda sau lua foc.
- Cerințe privind eliminarea bateriilor:
- Bateriile sunt toxice și periculoase. Eliminați bateriile uzate în conformitate cu legile, reglementările și standardele naționale aplicabile.

### **Prevenire incendiu**

- Pe dispozitiv nu trebuie așezate surse de flacără deschisă, cum ar fi lumânări aprinse.
- Pentru dispozitivul cu orificii de ventilație, ventilația nu trebuie îngreunată prin acoperirea orificiilor de ventilație cu obiecte precum ziare, fețe de masă și draperii. Orificiile nu trebuie să fie niciodată blocate prin așezarea dispozitivului pe un pat, o canapea, un covor sau o altă suprafață similară.

### **Suprafață fierbinte**



● **ATENȚIE:** Componente fierbinți! Nu atingeți. Degete arse la manipularea pieselor. Așteptați o jumătate de oră după deconectare înainte de a manipula piesele.

### **Alimentare electrică**

● Tensiunea de intrare trebuie să îndeplinească sursa limitată de putere (12 V c.c.) conform standardului IEC62368. Vă rugăm să consultați specificațiile tehnice pentru informații detaliate.

● Asigurați-vă că ștecherul este conectat corect la priza de curent.

● **NU** conectați mai multe dispozitive la un adaptor de alimentare pentru a evita pericolul de supraîncălzire sau de incendiu.

● + identifică terminalul (terminalele) pozitiv(e) al(e) echipamentului care este utilizat cu curent continuu sau care generează curent continuu. - identifică terminalul (terminalele) negativ(e) al(e) echipamentului care este utilizat cu curent continuu sau care generează curent continuu.

### **Instalare**

● Instalați dispozitivul în conformitate cu instrucțiunile din acest manual.

● Pentru a preveni rănirea, acest dispozitiv trebuie să fie fixat ferm de suprafața de instalare, în conformitate cu instrucțiunile de instalare.

● Nu așezați niciodată echipamentul într-un loc instabil. Echipamentul poate cădea, provocând vătămări corporale grave sau chiar moartea.

● Acest echipament nu este adecvat pentru utilizarea în locații în care este posibil să fie prezenți copii.

● Acest echipament este destinat utilizării numai cu suporturile corespunzătoare. Utilizarea cu alte suporturi (cărucioare, picioare de sprijin sau alte suporturi) poate duce la instabilitate și poate provoca vătămări.

### **Securitatea sistemului**

● Vă rugăm să înțelegeți că aveți responsabilitatea de a configura toate parolele și alte setări de securitate ale dispozitivului și de a vă păstra numele de utilizator și parola.

### **Întreținere**

● În cazul în care produsul nu funcționează corect, vă rugăm să

contactați dealerul sau cel mai apropiat centru de service. Nu ne asumăm nicio responsabilitate pentru problemele cauzate de reparații sau întreținere neautorizate.

- Ștergeți ușor aparatul cu o cârpă curată și o cantitate mică de etanol, dacă este necesar.

- În cazul în care echipamentul este utilizat într-un mod care nu este specificat de producător, protecția oferită de dispozitiv poate fi afectată.

### **Utilizarea mediului**

- Asigurați-vă că mediul de funcționare îndeplinește cerințele dispozitivului. Temperatura de funcționare va fi de la -20 °C la 50 °C (de la -4 °F la 122 °F), iar umiditatea de funcționare trebuie să fie de la 5% la 95%.

- NU îndreptați obiectivul la soare sau la orice altă lumină strălucitoare.

- NU expuneți dispozitivul la radiații electromagnetice ridicate.

### **Urgență**

- Asigurați-vă că, înainte de a conecta, a instala sau a dezasambla dispozitivul, acesta a fost, în prealabil, deconectat de la sursa de alimentare electrică.

- Dacă de la dispozitiv apar fum, miros sau zgomot, opriți imediat alimentarea, deconectați cablul de alimentare și contactați centrul de service.

### **Sincronizarea orei**

- Setați ora dispozitivului manual când îl porniți pentru prima dată dacă ora locală nu este sincronizată cu cea a rețelei.

Accesați dispozitivul prin intermediul browserului web/software-ului clientului și accesați interfața pentru setările de timp.

### **Adresa de fabricație**

Camera 313, Unitatea B, Clădirea 2, 399 Danfeng Road, subdistrictul Xixing, districtul Binjiang, Hangzhou, Zhejiang 310052, China

Hangzhou Microimage Software Co., Ltd.

NOTIFICARE DE CONFORMITATE: Produsele din seria termică pot fi supuse controalelor exporturilor în diferite țări sau regiuni,

inclusiv, fără limitare, Statele Unite ale Americii, Uniunea Europeană, Regatul Unit și/sau alte țări membre ale Aranjamentului de la Wassenaar. Vă rugăm să consultați expertul juridic sau de conformitate profesional sau autoritățile administrației locale pentru orice cerințe necesare privind licența de export dacă intenționați să transferați, să exportați, să reexportați produsele din seria termică între diferite țări.

## 1 Prehľad

### 1.1 Stručný opis

Termografická sieťová skrinková kamera (ďalej len „zariadenie“) integruje funkcie vzdialeného internetového dohľadu, video serveru a merania teploty v reálnom čase.

Prostredníctvom prehliadačov a klientov je možné realizovať diaľkový prenos, náhľad a konfiguráciu. Zariadenie je možné jednoducho nainštalovať bez nutnosti zabudovanej kabeláže.

Všeobecne sa môže používať pri výrobe potravín, denne v chemickom priemysle, pri testovaní PCBA, vo výskume a v ostatných oblastiach.

### 1.2 Funkcie

Zariadenie má nasledujúce funkcie:

- režim Makro.
- tepelné zobrazovanie.
- viacero paliet.
- kalibráciu, ktorá zaisťuje jednotnosť obrazu a zlepšuje podrobnosti a efekty zobrazenia.
- výkonné algoritmy kompresie videa, ktoré podporujú vysoký pomer kompresie pri veľmi nízkom toku dát.
- NAS, ktorý má rýchly a spoľahlivý prenos dát.
- alarm prahovej hodnoty teploty a ďalšie funkcie merania teploty, ktoré je možné analyzovať na klientovi.
- TCP/IP, HTTP a ďalšie protokoly.
- vzdialená aktualizácia a údržba.

### 1.3 Komponent a rozhranie (strana 1 – A)

Obrázok slúži len na referenčné účely. Riadte sa skutočným vzhľadom zariadenia.

Č.	Komponent a rozhranie	Opis
1	Termografický objektív	Zobrazenie tepelného obrazu.
2	Otočný volič režimu	Prepnite zariadenie do

		režimu makro alebo štandardného režimu.
3	Koliesko na zaostrenie	Upravte ohniskovú vzdialenosť.
4	1/4-20 UNC závitový otvor	Montáž skrutiek.
5	Umiestnenie otvoru	Pomoc pri zarovnaní zariadenia na polohovacom kolíku na adaptéri.
6	Indikátory siete	<ul style="list-style-type: none"> <li>● Blikanie: Prenos sieťových údajov.</li> <li>● Svieti bez prerušenia: Sieť je pripojená bez prenosu údajov.</li> </ul>
7	Tlačidlo obnovenia nastavení	Stlačte tlačidlo na 10 s a uvoľnite ho, čím sa obnovia nastavenia zariadenia z výroby.
8	Uzemňovacia skrutka	Pripojenie k uzemňovacej svorke na zaistenie elektrickej bezpečnosti.
9	Indikátor napájania	<ul style="list-style-type: none"> <li>● Neprerušovaná zelená: Prevádzka.</li> <li>● Neprerušovaná červená: Systém je v prevádzke.</li> </ul>
10	Svorkovnicová zásuvka	Obsahuje konektory s 10 kolíkmi.
11	Sieťové rozhranie	RJ-45, sieťová komunikácia
12	Sieťový kábel	Pri pripájaní sieťového kábla

		v balení dotiahnite skrutky na kábli, aby ste ho zaistili.
13	Svorkovnica	Zasuňte svorkovnicu do svorkovnicovej zásuvky a spojte káble podľa definície kolíkov opísanej v nasledujúcej tabuľke.

#### 1.4 Definícia kolíkov (strana 2 – B)


Č.	Signál	Opis
1	Napájanie	Zdroj napájania 12 V jednosmerný prúd. Správne pripojte kladné a záporné svorky.  *Po inštalácii zariadenia môžete použiť adaptér v balení na nabíjanie zariadenia.
2	UZEMNENIE	
3	RS-232_RX	Sériová komunikácia RS-232, na ladenie zariadenia.
4	RS-232_TX	
5	ALARM_IN	1 Vstup alarmu; 2 Výstupy alarmu.
6	ALARM_OUTA	
7	ALARM_OUTB	
8	RS485-	Komunikačné rozhranie sériového portu RS-485.
9	RS485+	
10	CVBS	Analógový výstup videa.

#### 2 Aktivácia a prístup k sieťovej kamere

Navštívte [www.hikmicrotech.com](http://www.hikmicrotech.com) a stiahnite si a nainštalujte aplikáciu HIKMICRO Studio. Podrobný návod na obsluhu nájdete v návode na používanie zariadenia.

### 3 Montáž

Pred montážou zariadenia si prečítajte pokyny v tejto časti.

 **Nebezpečenstvo:** Pri montáži, pripájaní alebo odpájaní zariadenia odpojte celé napájanie, aby ste zabezpečili bezpečnosť personálu a zariadenia.

#### 3.1 Požiadavky

Uistite sa, že zariadenie v balení je v dobrom stave, všetky montážne časti sú súčasťou balenia a pripravte si potrebné diely pred montážou.

- Pri montáži zariadenia sa uistite, že teplota prostredia je v rozsahu  $-20\text{ °C} \sim +50\text{ °C}$  a vlhkosť  $\leq 90\% \pm 5\%$  bez kondenzácie.
- Zariadenie nie je odolné voči vode. Nevystavujte zariadenie priamemu slnečnému žiareniu ani ho neinštalujte nezávisle vo vonkajšom prostredí.
- Uistite sa, že je na montáž zariadenia aj príslušenstva dostatok miesta. Pozrite si rozmery (strana 2 – C) zariadenia, jednotka: mm [palce].
- Počas inštalácie dôsledne dodržiavajte bezpečnostné pokyny uvedené v tomto návode.

#### 3.2 Inštalácia zariadenia

Táto časť uvádza spôsoby upevnenia na trojnožku a stojan mikroskopu. Vyberte si spôsob inštalácie na základe aktuálnych scenárov.

##### 3.2.1 Pripojenie na trojnožku (strana 3 – D)

Zariadenie má 1/4-20 UNC závitové otvory a dá sa pripojiť na trojnožku a iné stacionárne zariadenia pomocou adaptéra 1/4-20 UNC .

##### **Postup:**

1. Pripravte si vhodný adaptér (②) a pomocou 1/4-20 UNC skrutky pripevnite adaptér k zariadeniu (①) cez 1/4-20 UNC závitové otvory na zariadení.
2. Zostavené zariadenie a adaptér umiestnite na montážnu podložku a pomocou uvoľňovacieho gombíka (③) upevnite na trojnožke zariadenia.



### 3.2.2 Pripojenie k stojanu mikroskopu (strana 4, 5 – E)

Zariadenie má 1/4-20 UNC (⑥) závitové otvory a môže sa upevniť na stojan mikroskopu (③) pomocou 1/4-20 UNC adaptéra v makro-scenároch.

#### **Postup:**

1. Zarovnajte polohu kolíka (①) na adaptéri (②) s polohovacím otvorom (④) na zariadení.
2. Dotiahnite upevňovaciu skrutku (⑤) na stojane mikroskopu na upevnenie zariadenia na stojane.
3. Upravte vzdialenosť objektu a uistite sa, že vzdialenosť medzi zariadením a cieľom je 4,3 cm.
4. Otočte otočný volič režimu na režim Makro (⑦), potom otáčaním kolieska na zaostrenie (⑧) zarovnajte dva polohovacie kolíky (⑨).

### 4 Návod na používanie (strana 4 – F)

#### 5 Technická podpora

Portál <https://www.hikmicrotech.com/en/contact-us.html> vám ako zákazníkovi spoločnosti HIKMICRO pomôže z produktov HIKMICRO vyťažiť maximum. Portál vám poskytuje prístup k tímu technickej podpory, softvéru a dokumentácii, servisným kontaktom atď.

#### **Súlad s regulačnými predpismi a bezpečnostné informácie**

Pred použitím zariadenia si pozorne prečítajte všetky informácie a pokyny v tomto dokumente a uschovajte si ho na ďalšie použitie.

Ďalšie informácie o zariadení a pokyny nájdete na našej webovej stránke <https://www.hikmicrotech.com>. Ďalšie informácie získate aj z iných dokumentov (ak existujú) priložených k zariadeniu alebo naskenovaním kódu QR (ak existuje) na obale.

#### **PRÁVNE VYHLÁSENIE O VYLÚČENÍ ZODPOVEDNOSTI**

V MAXIMÁLNO M MOŽNOM ROZSAHU, KTORÝ POVOĽUJÚ PRÍSLUŠNÉ PRÁVNE PREDPISY, SA TÁTO PRÍRUČKA A OPÍSANÝ PRODUKT SPOLU S JEHO HARDVÉROM, SOFTVÉROM A FIRMVÉROM, DODÁVAJÚ V STAVE „AKO SÚ“ A „SO VŠETKÝMI PORUCHAMI A CHYBAMI“. SPOLOČNOSŤ HIKMICRO

NEPOSKYTUJE ŽIADNE VÝSLOVNÉ ANI PREDPOKLADANÉ ZÁRUKY, OKREM INÉHO O PREDAJNOSTI, USPOKOJIVEJ KVALITE ALEBO VHODNOSTI NA KONKRÉTNY ÚČEL. POUŽÍVANIE PRODUKTU JE NA VAŠE VLASTNÉ RIZIKO. SPOLOČNOSŤ HIKMICRO V ŽIADNOM PRÍPADE NENESIE ZODPOVEDNOSŤ ZA ŽIADNE OSOBITNÉ, NÁSLEDNÉ, NÁHODNÉ ALEBO NEPRIAME ŠKODY, OKREM INÉHO VRÁTANE ŠKÔD Z UŠLÉHO PODNIKATEĽSKÉHO ZISKU, PRERUŠENIA PODNIKANIA, STRATY ÚDAJOV, POŠKODENIA SYSTÉMOV ALEBO STRATY DOKUMENTÁCIE, ČI UŽ NA ZÁKLADE PORUŠENIA ZMLUVY, PREČINU (VRÁTANE NEDBALOSTI), ZODPOVEDNOSTI ZA PRODUKT ALEBO INAK V SÚVISLOSTI S POUŽÍVANÍM PRODUKTU, A TO ANI V PRÍPADE, AK BOLA SPOLOČNOSŤ HIKMICRO UPOZORNENÁ NA MOŽNOSŤ TAKÝCHTO ŠKÔD. UZNÁVATE, ŽE Z POVAHY INTERNETU VYPLÝVAJÚ INHERENTNÉ BEZPEČNOSTNÉ RIZIKÁ A SPOLOČNOSŤ HIKMICRO NENESIE ŽIADNU ZODPOVEDNOSŤ ZA NEŠTANDARDNÚ PREVÁDZKU, ÚNIK OSOBNÝCH ÚDAJOV ANI ZA INÉ ŠKODY V DÔSLEDKU KYBERNETICKÉHO ÚTOKU, HAKERSKÉHO ÚTOKU, VÍRUSOVEJ INFEKČIE ALEBO INÝCH BEZPEČNOSTNÝCH RIZÍK SIETE INTERNET; V PRÍPADE POTREBY VŠAK SPOLOČNOSŤ HIKMICRO POSKYTNE VČASNÚ TECHNICKÚ PODPORU.

SÚHLASÍTE S POUŽÍVANÍM TOHTO PRODUKTU V SÚLADE SO VŠETKÝMI PRÍSLUŠNÝMI ZÁKONMI A NESIETE VÝHRADNÚ ZODPOVEDNOSŤ ZA ZABEZPEČENIE, ABY VAŠE POUŽÍVANIE BOLO V SÚLADE S PRÍSLUŠNÝMI ZÁKONMI. STE OBZVLÁŠŤ ZODPOVEDNÍ ZA POUŽÍVANIE TOHTO PRODUKTU SPÔSOBOM, KTORÝ NEPORUŠUJE PRÁVA TRETÍCH STRÁN, OKREM INÉHO PRÁVA PUBLICITY, PRÁVA DUŠEVNÉHO VLASTNÍCTVA, PRÁVA NA OCHRANU ÚDAJOV A INÉ PRÁVA NA OCHRANU SÚKROMIA. TENTO PRODUKT NESMIETE POUŽÍVAŤ NA ŽIADNE ZAKÁZANÉ ÚČELY VRÁTANE VÝVOJA ALEBO VÝROBY ZBRANÍ HROMADNÉHO NIČENIA, VÝVOJA ALEBO VÝROBY CHEMICKÝCH ALEBO BIOLOGICKÝCH ZBRANÍ, AKÝCHKOL'VEK AKTIVÍT V SÚVISLOSTI S AKOUKOL'VEK JADROVOU VÝBUŠNINOU ALEBO NEBEZPEČNÝM CYKLOM JADROVÉHO PALIVA, ALEBO NA

PODPORU ZNEUŽÍVANIA ĽUDSKÝCH PRÁV.

V PRÍPADE AKÉHOKOL'VEK NESÚLADU MEDZI TOUTO PRÍRUČKOU A PRÍSLUŠNÝMI PRÁVNÝMI PREDPISMI MAJÚ PREDNOSŤ PRÍSLUŠNÉ PRÁVNE PREDPISY.

## Regulačné informácie

---

**Tieto ustanovenia platia len pre produkty s príslušným označením alebo údajom.**

---

### Vyhlásenie o zhode s predpismi EÚ



Tento produkt a dodané príslušenstvo, ak je to relevantné, sú takisto označené značkou „CE“, takže sú v súlade s príslušnými harmonizovanými

európskymi normami uvedenými v smernici 2014/30/EÚ (EMCD) a smernici 2011/65/EÚ (RoHS).

Poznámka: Produkty so vstupným napätím v rozsahu 50 až 1000 V striedavého prúdu alebo 75 až 1500 V jednosmerného prúdu sú v súlade so smernicou 2014/35/EÚ (LVD) a ostatné produkty sú v súlade so smernicou 2001/95/ES (GPSD).

Prečítajte si informácie o konkrétnom zdroji napájania.

Výstraha: Toto je produkt triedy A. V domácom prostredí môže tento produkt spôsobovať rádiové rušenie, v takom prípade sa od používateľa môže vyžadovať, aby prijal primerané opatrenia.



2012/19/EÚ (smernica o odpade z elektrických a elektronických zariadení): Produkty označené týmto symbolom sa v rámci Európskej únie nesmú likvidovať spolu s netriedeným komunálnym odpadom. Po

zakúpení ekvivalentného nového zariadenia zrecyklujte produkt tým, že ho odovzdáte miestnemu dodávateľovi alebo ho zlikvidujete na určených zberných miestach. Ďalšie informácie nájdete na lokalite: [www.recyclethis.info](http://www.recyclethis.info)



2006/66/ES a príslušné doplnenia 2013/56/EÚ (smernica o batériách): Tento produkt obsahuje batériu, ktorá sa v rámci Európskej únie nesmie likvidovať spolu s netriedeným komunálnym odpadom. Konkrétne

informácie o batérii nájdete v dokumentácii produktu. Batéria je označená týmto symbolom, ktorý môže obsahovať písmená

označujúce obsah kadmia (Cd), olova (Pb) alebo ortuti (Hg). Zrecyklujte batériu tým, že ju odovzdáte dodávateľovi alebo ju zlikvidujete na určenom zbernom mieste. Ďalšie informácie nájdete na lokalite: [www.recyclethis.info](http://www.recyclethis.info)

### **Bezpečnostné pokyny**

Tieto pokyny slúžia na zabezpečenie správneho používania produktu používateľom s cieľom predchádzať vzniku nebezpečenstva alebo majetkovým stratám. Pred použitím si pozorne prečítajte všetky bezpečnostné informácie.

### **Právne predpisy a nariadenia**

Zariadenie by sa malo používať v súlade s miestnymi zákonmi, predpismi o elektrickej bezpečnosti a protipožiarными predpismi.

### **Preprava**

- Pri preprave ponechajte zariadenie v pôvodnom alebo podobnom balení.
- Chráňte zariadenie pred pádom alebo nárazom. Zariadenie chráňte pred magnetickým rušením.

### **Elektrická bezpečnosť**

- POZOR: Ak je možné vymeniť poistku zariadenia, vymeňte ju iba za rovnaký model, aby ste znížili riziko požiaru alebo úrazu elektrickým prúdom.
- Ak je poistka pripojená k nulovému vodiču a dôjde k dvojitému pólovému/neutrálnemu isteniu, časti zariadenia, ktoré zostanú pod napätím, môžu predstavovať nebezpečenstvo počas servisu po skončení činnosti poistky.
- Zariadenie musí byť pripojené k uzemnenej sieťovej zásuvke.
- Zásuvka sa musí nainštalovať v blízkosti zariadenia a musí byť ľahko dostupná.
- Nedotýkajte sa odkrytých komponentov (ako sú kovové kontakty prívodov) a počkajte aspoň 5 minút, pretože po vypnutí zariadenia môže byť stále prítomná elektrina.
- Ak je zariadenie napájané zo svoriek pripojených k napájacíemu káblu, zaistite správne napätie a zapojenie svoriek na pripojenie k elektrickej sieti.

### **Batéria**

Upozornenie:

- Produkt ani batériu nevystavujte vlhkosti alebo vode.

- Produkt nevystavujte prostrediu s mimoriadne vysokou teplotou, ako je oheň alebo rozohriata rúra, čo môže viesť k výbuchu alebo úniku horľavých kvapalín alebo plynov.
- Produkt nevystavujte pôsobeniu ohrevných nádob, práčky ani tlakových nádob.
- Prostredie inštalácie produktu musí zodpovedať uvedenému rozsahu teploty a vlhkosti, nesmie byť vystavené priamemu slnečnému žiareniu, ani obklopené prekážkami či horľavými látkami, inak môže dôjsť k vzniku nebezpečenstva.
- Produkt nevystavujte mimoriadne nízkemu tlaku vzduchu, čo môže viesť k výbuchu alebo úniku horľavých kvapalín alebo plynov.

#### Úložisko:

- Batériu je potrebné uskladniť v sklade alebo inom vnútornom priestore, v ktorom nebude vystavená svetlu ani vode. Batériu neumiestňujte na priame slnečné žiarenie ani do priestorov vystavených dažďu alebo vode.
- Požiadavky na teplotu pri uskladnení batérie: 10 °C až 30 °C.
- Požiadavky na relatívnu vlhkosť pri uskladnení batérie: ≤ 60 % relatívna vlhkosť

#### Prevádzka a používanie:

- Upozornenie: Zariadenie obsahuje vstavané batérie, ktoré nesmie rozoberať, vymieňať ani upravovať iná ako kvalifikovaná osoba. V opačnom prípade hrozí nebezpečenstvo výbuchu, požiaru alebo chemickej korózie.
- Upozornenie: Batériu nestláčajte, neprepichujte, nevystavujte ju úderom ani mechanickým nárazom a nerozoberajte ju. V prípade poškodenia batérie to môže spôsobiť vznik tepla, požiaru alebo výbuchu.
- Výstraha: V prípade poškodenia batérie sa obráťte na popredajné servisné služby so žiadosťou o výmenu. Komponent neopravujte ani nevymieňajte sami.
- Nabíjanie a vybíjanie batérie vykonávajte v rámci uvedeného teplotného rozsahu a zabezpečte, aby sa počas nabíjania v jej okolí nenachádzali žiadne kryty alebo horľavé materiály, inak môže vzniknúť nebezpečenstvo.
- Batéria sa odosiela čiastočne nabitá.

- Pri kontrole batérie noste ochranné okuliare a rukavice.
  - V prípade úniku kvapaliny z batérie a jej kontaktu s pokožkou alebo očami ich čo najskôr vypláchnite čistou vodou a okamžite vyhľadajte lekársku pomoc.
  - Ak batéria začne horieť, na uhasenie požiaru použite penový hasiaci prístroj, práškový hasiaci prístroj alebo hasiaci piesok.
  - Používajte originálnu alebo špecifikovanú nabíjačku batérie. Nesprávny spôsob nabíjania alebo nabíjačka môžu poškodiť batériu a spôsobiť jej vznietenie alebo iné problémy.
  - Batériu nenabíjajte poškodenou nabíjačkou.
  - Po dosiahnutí uvedeného času zastavte nabíjanie, v opačnom prípade sa môže batéria prehriať, vybuchnúť alebo vznietiť.
- Požiadavky na likvidáciu odpadových batérií:
- Batérie sú toxické a nebezpečné. S batériami určenými na likvidáciu zaobchádzajte podľa platných vnútroštátnych predpisov, nariadení a štandardov.

### **Predchádzanie požiarom**

- Na zariadenie sa nesmú umiestňovať žiadne zdroje otvoreného ohňa, napríklad zapálené sviečky.
- Ak má dané zariadenie ventilačné otvory, tieto ventilačné otvory sa nesmú znefunkčniť prekrytím ventilačných otvorov predmetmi, napríklad novinami, obrusmi alebo záclonami. Otvory nesmú byť nikdy zablokované umiestnením zariadenia na posteľ, pohovku, koberec alebo na iný podobný povrch.

### **Horúci povrch**



- **POZOR: Horúce súčasti! Nedotýkať sa.** Pri manipulácii so súčasťami si môžete popáliť prsty. Pred manipuláciou s jednotlivými časťami zariadenie vypnite a počkajte pol hodiny.

### **Zdroj napájania**

- Vstupné napätie musí spĺňať podmienky veľmi nízkeho napätia (12 V DC) podľa normy IEC62368. Podrobné informácie nájdete v technických špecifikáciách.
- Skontrolujte, či je zástrčka správne pripojená k napájacej zásuvke.
- K jednému napájaciemu adaptéru NEPRIPÁJAJTE viacero

zariadení, aby nedošlo k prehriatiu alebo riziku požiaru v dôsledku preťaženia.

- + označuje koncovky s kladnou polaritou v prípade zariadenia, s ktorým sa používa alebo ktoré vytvára jednosmerný prúd. – označuje koncovky so zápornou polaritou v prípade zariadenia, s ktorým sa používa alebo ktoré vytvára jednosmerný prúd.

### **Inštalácia**

- Zariadenie namontujte podľa pokynov v tejto príručke.
- Aby sa predišlo zraneniu, musí byť zariadenie bezpečne pripevnené k inštalačnému povrchu podľa inštalačných pokynov.

- Zariadenie nikdy neumiestňujte na nestabilné miesto.

Zariadenie môže spadnúť, v dôsledku čoho môže dôjsť k vážnemu zraneniu alebo usmrteniu.

- Toto zariadenie nie je vhodné na používanie na miestach, na ktorých sa môžu vyskytovať deti.

- Toto zariadenie je určené na použitie iba s príslušnými držiakmi. V prípade použitia s inými prvkami (vozíky, stojany alebo nosiče) môže dôjsť k nestabilite a možnému zraneniu.

### **Zabezpečenie systému**

- Upozorňujeme, že ste zodpovední za konfiguráciu všetkých hesiel a ďalších bezpečnostných nastavení zariadenia a za uchovanie používateľského mena a hesla.

### **Údržba**

- Ak produkt nepracuje správne, obráťte sa na predajcu alebo na najbližšie servisné stredisko. Nepreberáme žiadnu zodpovednosť za problémy spôsobené neoprávnenou opravou alebo údržbou.

- V prípade potreby zariadenie jemne utrite čistou handričkou a malým množstvom etanolu.

- Ak sa zariadenie používa spôsobom, ktorý výrobca neuvádza, môže dôjsť k zníženiu ochrany poskytovanej zariadením.

### **Prevádzkové prostredie**

- Zabezpečte, aby prevádzkové prostredie spĺňalo požiadavky zariadenia. Prevádzková teplota musí byť -20 °C až 50 °C (-4 °F až 122 °F) a prevádzková vlhkosť musí byť v rozsahu 5 % až 95 %.

- Šošovkou NEMIERTE na slnko ani na žiadny iný silný zdroj svetla.

- Zariadenie NEVYSTAVUJTE silnému elektromagnetickému

žiareníu.

### **Núdzový režim**

- Pred pripájaním, inštaláciou alebo demontážou zariadenia sa uistite, že je odpojené napájanie.
- Ak zo zariadenia vychádza dym, zápach alebo hluk, ihneď vypnite napájanie, odpojte napájací kábel a obráťte sa na servisné stredisko.

### **Synchronizácia času**

- Ak lokálny čas nie je synchronizovaný s časom siete, nastavte čas zariadenia pre prvý prístup manuálne. Zobrazte zariadenie vo webovom prehliadači/klientskom softvéri a prejdite do rozhrania nastavenia času.

### **Adresa výrobcu**

Miestnosť 313, Krídlo B, Budova 2, Ulica Danfeng 399, Obvod Xixing, Okres Binjiang, Hangzhou, Zhejiang 310052, Čína  
Hangzhou Microimage Software Co., Ltd.

**POZNÁMKA O SÚLADE S PREDPISMI:** Produkty z radu teplocitlivých prístrojov môžu podliehať exportnej regulácii v rôznych krajinách alebo regiónoch vrátane napríklad Spojených štátov amerických, Európskej únie, Spojeného kráľovstva prípadne aj krajín Wassenaarskeho usporiadania. Ak máte v úmysle prenášať, exportovať alebo re-exportovať produkty z radu teplocitlivých prístrojov cez hranice medzi rôznymi krajinami, poraďte sa so svojim odborným expertom na legislatívu alebo súlad s predpismi alebo miestnymi úradmi verejnej správy, či existuje povinnosť mať exportné povolenie.



## **1 Gambaran Umum**

### **1.1 Deskripsi Singkat**

Kamera kotak jaringan termografis (selanjutnya disebut “perangkat”) mengintegrasikan pengawasan internet jarak jauh, server video dan fungsi-fungsi pengukuran suhu waktu-riil.

Transmisi jarak jauh, pratinjau, dan konfigurasi dapat diwujudkan melalui peramban dan klien. Perangkat ini dapat dipasang dengan mudah tanpa sistem pengkabelan terstruktur.

Dapat digunakan secara luas dalam produksi makanan, industri bahan kimia sehari-hari, uji PCBA, riset, dan bidang lainnya.

### **1.2 Fitur**

Perangkat memiliki fitur-fitur berikut:

- Mode Makro.
- Pencitraan termal.
- Beberapa palet.
- Kalibrasi yang memastikan keseragaman citra serta memperbaiki detail dan efek citra.
- Algoritma kompresi video canggih yang mendukung rasio kompresi tinggi pada tingkat bit ultra-rendah.
- NAS yang memiliki kecepatan dan performa transfer data andal.
- Alarm ambang batas suhu dan fungsi pengukuran suhu lainnya yang dapat dianalisis pada klien.
- TCP/IP, HTTP dan protokol lainnya.
- Peningkatan dan pemeliharaan jarak jauh.

### **1.3 Komponen & Antarmuka (Halaman 1 – A)**

Penampakan hanya untuk rujukan. Perangkat yang sebenarnya yang berlaku.

<b>No.</b>	<b>Komponen &amp; Antarmuka</b>	<b>Deskripsi</b>
1	Lensa Termal	Menampilkan citra termal.
2	Alih Mode	Mengalihkan perangkat ke mode makro atau mode

		normal.
3	Roda Fokus	Menyesuaikan panjang fokus.
4	Lubang Pengikatan 1/4-20 UNC	Pemasangan sekrup.
5	Lubang Pelokasi	Membantu menyejajarkan perangkat ke pin posisi pada adaptor.
6	Indikator Jaringan	<ul style="list-style-type: none"> <li>● Berkedip: Mentransmisikan data jaringan.</li> <li>● Solid: Jaringan terhubung tanpa transmisi data.</li> </ul>
7	Tombol Reset	Tekan selama 10 detik lalu lepas tombol, dan perangkat akan kembali ke pengaturan pabrik.
8	Sekrup Pembumian	Menghubungkan ke terminal pembumian untuk memastikan keamanan kelistrikan.
9	Indikator Daya	<ul style="list-style-type: none"> <li>● Hijau Pekat: Beroperasi.</li> <li>● Merah Solid: Sistem beroperasi.</li> </ul>
10	Soket Terminal	Berisi 10 konektor pin.
11	Antarmuka Jaringan	RJ-45, komunikasi jaringan
12	Kabel Jaringan	Ketika mencolokkan kabel

		jaringan (yang tercakup dalam kemasan), kencangkan sekrup-sekrup kabel untuk mengencangkan kabel.
13	Blok Terminal	Masukkan blok terminal ke dalam soket terminal, dan hubungkan kabel-kabel (dengan acuan) ke definisi pin seperti yang dijelaskan dalam tabel berikut.

#### 1.4 Definisi Pin (Halaman 2 – B)


No.	Sinyal	Deskripsi
1	Daya	Masukan daya 12V DC. Hubungkan terminal positif dan terminal negatif dengan benar.  *Setelah memasang perangkat, Anda dapat menggunakan adaptor dalam kemasan untuk mengisi daya perangkat.
2	GND	
3	RS-232_RX	Komunikasi serial RS-232, untuk proses debug perangkat.
4	RS-232_TX	
5	ALARM_IN	1 Masukan alarm; 2 Keluaran alarm.
6	ALARM_OUTA	
7	ALARM_OUTB	
8	RS485-	Antarmuka komunikasi port serial RS-485.
9	RS485+	

## 2 Mengaktifkan dan Mengakses Kamera Jaringan

Kunjungi [www.hikmicrotech.com](http://www.hikmicrotech.com) untuk mengunduh dan menginstal HIKMICRO Studio. Lihat panduan pengguna perangkat untuk detail mengenai pengoperasian.

## 3 Pemasangan

Baca petunjuk di bagian ini sebelum memasang perangkat.

 **Bahaya:** Putuskan semua daya saat memasang, mencolokkan atau mencabut kabel perangkat untuk memastikan keselamatan personel dan perangkat.

### 3.1 Prasyarat

Pastikan perangkat dalam kemasan dalam kondisi baik, semua komponen rakitan tercakup, dan siapkan komponen-komponen yang diperlukan sebelum pemasangan.

- Ketika memasang perangkat, pastikan suhu lingkungan antara  $-20^{\circ}\text{C} \sim +50^{\circ}\text{C}$ , dan tingkat kelembapan  $\leq 90\% \pm 5\%$  tanpa pengembunan.
- Perangkat tidak anti-air. Jangan memaparkan perangkat ke sinar matahari langsung atau memasang perangkat secara terpisah di lingkungan luar ruang.
- Pastikan terdapat cukup ruang untuk memasang perangkat dan aksesorinya. Lihat dimensi (Halaman 2 – C) perangkat, satuan: mm [inci].
- Ikuti Petunjuk Keselamatan dalam panduan ini dengan saksama selama pemasangan.

### 3.2 Memasang Perangkat

Bagian ini memperkenalkan metode pemasangan tripod dan mikroskop sebagai rujukan Anda. Pilih metode pemasangan berdasarkan skenario aktual.

#### 3.2.1 Menempelkan ke Tripod (Halaman 3 – D)

Perangkat memiliki lubang-lubang pengikatan 1/4-20 UNC, dan dapat ditempelkan ke sebuah tripod dan sarana stabil lainnya melalui adaptor 1/4-20 UNC.

***Langkah-langkah:***

1. Siapkan adaptor yang cocok (②), dan gunakan sekrup 1/4-20 UNC untuk mengencangkan adaptor ke perangkat (①) melalui lubang-lubang pengikatan 1/4-20 UNC pada perangkat.
2. Letakkan rakitan perangkat dan adaptor pada pelat pemasangan, dan gunakan kenop pelepas (③) pada tripod untuk mengencangkan perangkat.

### **3.2.2 Menempelkan ke Dudukan Mikroskop (Halaman 4, 5 – E)**

Perangkat memiliki lubang-lubang pengikatan 1/4-20 UNC (⑥), dan dapat dipasang pada dudukan mikroskop (③) melalui adaptor 1/4-20 UNC dalam skenario makro.

#### ***Langkah-langkah:***

1. Sejajarkan pin posisi (①) pada adaptor (②) dengan lubang pemosisi (④) pada perangkat.
2. Kencangkan sekrup pengencang (⑤) pada dudukan mikroskop untuk mengencangkan perangkat pada dudukan.
3. Sesuaikan jarak objek, dan pastikan jarak antara perangkat dan target adalah 4,3 cm.
4. Ubah alih mode ke mode Makro (⑦), kemudian ubah roda fokus (⑧) untuk menyejajarkan kedua pin penentu lokasi (⑨).

## **4 Panduan Pengguna (Halaman 4 – F)**

### **5 Dukungan Teknis**

Portal <https://www.hikmicrotech.com/en/contact-us.html> akan membantu Anda (pelanggan HIKMICRO) memaksimalkan penggunaan produk HIKMICRO. Portal ini menyediakan bagi Anda akses ke tim dukungan kami, perangkat lunak dan dokumentasi, kontak layanan, dll.

### **Kepatuhan terhadap Peraturan dan Informasi Keselamatan**

Baca semua informasi dan petunjuk dalam dokumen ini secara cermat sebelum menggunakan perangkat dan simpan jika sewaktu-waktu dibutuhkan.

Untuk informasi dan petunjuk lain tentang perangkat, kunjungi situs web kami di <https://www.hikmicrotech.com>. Lihat dokumen lain (jika ada) yang menyertai perangkat atau pindai kode QR (jika ada) pada kemasan untuk memperoleh informasi lain.

### **PENAFIAN HUKUM**

SEPANJANG DIPERBOLEHKAN OLEH PERATURAN YANG BERLAKU, MANUAL INI DAN PRODUK YANG DIJELASKAN, BESERTA PERANGKAT KERAS, PERANGKAT LUNAK, DAN FIRMWARE, DISEDIAKAN "SEPERTI ADANYA" DAN "DENGAN SEMUA CACAT DAN KESALAHAN". HIKMICRO TIDAK MEMBERIKAN JAMINAN TERSURAT ATAUPUN TERSIRAT, TERMASUK TIDAK TERBATAS PADA, JAMINAN KOMERSIAL, KUALITAS MEMUASKAN, ATAUPUN KECOCOKAN UNTUK TUJUAN TERTENTU. PENGGUNAAN PRODUK OLEH ANDA ADALAH ATAS RISIKO ANDA SENDIRI. DALAM SEGALA HAL, HIKMICRO TIDAK BERTANGGUNG JAWAB KEPADA ANDA ATAS KERUSAKAN KHUSUS, IKUTAN, INSIDENTIL, ATAU TIDAK LANGSUNG, TERMASUK, ANTARA LAIN, KERUGIAN AKIBAT HILANGNYA LABA USAHA, TERGANGGUNYA USAHA, ATAU HILANGNYA DATA, KERUSAKAN SISTEM, ATAU HILANGNYA DOKUMEN, BAIK BERDASARKAN PELANGGARAN ATAS KONTRAK, TINDAKAN MELAWAN HUKUM (TERMASUK KELALAIAN), KEWAJIBAN PRODUK, ATAU LAINNYA, TERKAIT PENGGUNAAN PERANGKAT LUNAK, MESKIPUN HIKMICRO SUDAH DIBERITAHU ADANYA POTENSI KERUSAKAN ATAU KERUGIAN SEMACAM ITU.

ANDA MENGAKUI BAHWA SIFAT INTERNET MENGHADIRKAN RISIKO KEAMANAN TIDAK TERLIHAT, DAN HIKMICRO TIDAK BERTANGGUNG JAWAB ATAS ABNORMALITAS PENGOPERASIAN, KEBOCORAN PRIVASI, ATAU KERUSAKAN LAIN AKIBAT SERANGAN SIBER, SERANGAN PERETAS, INFEKSI VIRUS, DAN RISIKO KEAMANAN INTERNET LAINNYA; AKAN TETAPI, HIKMICRO AKAN MENYEDIAKAN DUKUNGAN TEKNIS SECARA BERKALA JIKA DIBUTUHKAN.

ANDA SETUJU UNTUK MENGGUNAKAN PRODUK INI DENGAN MEMATUHI SEMUA PERATURAN YANG BERLAKU DAN ANDA SECARA PRIBADI BERTANGGUNG JAWAB MEMASTIKAN PENGGUNAAN OLEH ANDA MEMATUHI PERATURAN YANG BERLAKU. SECARA KHUSUS, ANDA BERTANGGUNG JAWAB MENGGUNAKAN PRODUK DENGAN CARA YANG TIDAK MELANGGAR HAK-HAK PIHAK KETIGA, TERMASUK TANPA BATASAN PADA, HAK PUBLISITAS, HAK KEKAYAAN

INTELEKTUAL, ATAU PERLINDUNGAN DATA DAN HAK PRIVASI LAINNYA. ANDA DILARANG MENGGUNAKAN PRODUK UNTUK PENGGUNAAN AKHIR YANG DILARANG, TERMASUK PENGEMBANGAN ATAU PRODUKSI SENJATA PEMUSNAH MASSAL, PENGEMBANGAN ATAU PRODUKSI SENJATA KIMIA ATAU BIOLOGIS, AKTIVITAS YANG BERHUBUNGAN DENGAN BAHAN PELEDAK NUKLIR ATAU DAUR BAHAN BAKAR NUKLIR SECARA TIDAK AMAN ATAU UNTUK MENDUKUNG PELANGGARAN HAK ASASI MANUSIA.

JIKA TERJADI PERTENTANGAN ANTARA MANUAL INI DAN PERATURAN YANG BERLAKU, YANG DISEBUT TERAKHIR DIPRIORITASKAN.

### **Informasi Terkait Peraturan**

---

**Klausul ini hanya berlaku untuk produk yang memuat tanda atau informasi yang sesuai.**

---

#### **Pernyataan Kepatuhan UE**



Produk ini dan, jika berlaku, juga aksesori yang disediakan mencantumkan tanda "CE" dan oleh karena itu mematuhi standar Eropa yang

diharmonisasi dan berlaku berdasarkan Direktif 2014/30/UE (EMCD) dan Direktif 2011/65/UE (RoHS).

Catatan: Produk dengan voltase masukan dalam rentang 50 hingga 1000 VAC atau 75 hingga 1500 VDC mematuhi Direktif 2014/35/UE (LVD), sementara produk lainnya mematuhi Direktif 2001/95/EC (GPSD). Harap memeriksa informasi catu daya spesifik sebagai referensi.

Peringatan: Produk ini merupakan produk kelas A. Di lingkungan rumah tinggal, produk ini dapat menimbulkan interferensi radio, dalam kondisi tersebut pengguna mungkin diharuskan untuk mengambil langkah-langkah yang memadai.



2012/19/EU (WEEE directive): Produk yang bertanda simbol ini tidak boleh dibuang sebagai sampah umum yang tidak disortir di wilayah Uni Eropa. Agar dapat didaur ulang sesuai ketentuan, kembalikan produk ini

ke toko terdekat saat Anda membeli peralatan pengganti yang baru, atau buang pada titik pengumpulan yang ditentukan.

Untuk informasi lebih lengkap, kunjungi: [www.recyclethis.info](http://www.recyclethis.info)



2006/66/EC dan amendemennya 2013/56/EU (arahan baterai): Produk ini berisi baterai yang tidak boleh dibuang sebagai sampah umum yang tidak disortir di wilayah Uni Eropa. Lihat dokumentasi produk untuk informasi spesifik tentang baterai. Baterai ini ditandai dengan simbol ini, yang mungkin disertai huruf untuk menandakan kadmium (Cd), timbal (Pb), atau merkuri (Hg). Agar dapat didaur ulang sesuai ketentuan, kembalikan baterai ke toko atau titik pengumpulan yang ditentukan. Untuk informasi lebih lengkap, kunjungi: [www.recyclethis.info](http://www.recyclethis.info).

### **Petunjuk Keselamatan**

Instruksi ini ditujukan untuk memastikan pengguna dapat menggunakan produk dengan benar dan menghindari bahaya atau kerugian materiil. Baca semua informasi keselamatan dengan teliti sebelum menggunakan perangkat.

### **Undang-Undang dan Peraturan**

Perangkat harus digunakan sesuai dengan undang-undang setempat, peraturan keselamatan kelistrikan, dan peraturan terkait pencegahan kebakaran.

### **Transportasi**

- Kemasan perangkat dalam kemasan aslinya atau yang serupa saat memindahkannya.
- Jangan menjatuhkan produk atau membuatnya terkena guncangan fisik. Jauhkan perangkat dari interferensi magnetis.

### **Keamanan Elektrik**

- PERHATIAN: Jika sekering perangkat dapat diganti, dengan sekering dengan model yang sama untuk mengurangi risiko kebakaran atau tersengat listrik.
- Jika sebuah sekering terhubung ke kawat netral dan terjadi pelumeran dobel kutub/netral, komponen perangkat yang masih teraliri listrik mungkin akan menimbulkan bahaya selama bekerja setelah pengoperasian sekering.
- Perangkat harus terhubung ke stopkontak listrik yang dibumikan.
- Pasang lubang stopkontak di dekat peralatan dan di lokasi yang mudah dijangkau.



- Jangan menyentuh komponen yang terbuka (seperti kotak logam pada inlet) dan tunggu setidaknya 5 menit, karena arus listrik mungkin masih tersisa setelah perangkat dimatikan.
- Jika perangkat dihubungkan ke terminal oleh kabel daya, pastikan tegangan dan pengkabelan terminal sambungan ke catu daya sudah benar.

## **Baterai**

### Peringatan:

- Jangan membasahi dan lindungi produk atau baterai dari air.
- Jauhkan produk dari lingkungan bersuhu sangat tinggi seperti api atau oven pemanas, untuk mencegah ledakan atau kebocoran cairan atau gas mudah menyala.
- Jauhkan produk dari bejana pemanas, mesin cuci, atau bejana tekan.
- Lingkungan pemasangan produk harus dalam rentang suhu dan kelembapan yang ditentukan, hindari sinar matahari langsung, tidak boleh ada penghalang atau bahan mudah menyala untuk mencegah risiko bahaya.
- Jauhkan produk dari tekanan udara yang sangat rendah untuk mencegah ledakan atau kebocoran cairan atau gas yang mudah menyala.

### Penyimpanan:

- Simpan baterai di gudang atau lingkungan dalam ruang yang bebas dari cahaya dan air. Jauhkan baterai dari sinar matahari langsung atau area yang berpotensi terkena hujan atau air.
- Syarat suhu penyimpanan baterai: 10°C hingga 30°C.
- Syarat kelembapan relatif penyimpanan baterai: ≤60% RH.

### Operasi dan Penggunaan:

- Peringatan: Perangkat berisi baterai tertanam, yang tidak dapat dibongkar, diganti, atau dimodifikasi tanpa bantuan ahlinya. Pembongkaran, penggantian, atau modifikasi baterai tanpa bantuan profesional menimbulkan risiko ledakan, kebakaran, atau korosi kimia.
- Peringatan: Jangan menekan, melubangi, memukul, membenturkan, atau membongkar baterai. Baterai yang rusak dapat menyebabkan panas, kebakaran, atau ledakan.
- Peringatan: Jika baterai rusak, hubungi layanan purnajual untuk

meminta penggantian. Jangan memperbaiki atau mengganti komponen sendiri.

- Isi dan kosongkan daya dalam rentang suhu yang ditentukan, tidak boleh ada peneduh atau bahan mudah menyala di sekitarnya selama pengisian daya untuk mencegah bahaya.

- Baterai terisi separuh saat dikirim.

- Saat memeriksa baterai, kenakan kaca mata dan sarung tangan pelindung.

- Jika baterai bocor dan cairan mengenai kulit atau mata, bilas dengan air bersih dan cari pertolongan medis secepatnya.

- Jika baterai terbakar, gunakan pemadam busa, bubuk kering, atau pasir untuk memadamkan api.

- Gunakan pengisi daya baterai asli atau yang ditentukan.

Metode pengisian daya dan pengisi daya yang salah dapat merusak baterai dan menyebabkannya terbakar atau menimbulkan masalah lain.

- Jangan mengisi daya baterai dengan pengisi daya yang bermasalah.

- Hentikan pengisian daya setelah mencapai durasi pengisian daya yang ditentukan untuk mencegah baterai kepanasan, meledak, atau terbakar.

Persyaratan Pembuangan Baterai Bekas:

- Baterai beracun dan berbahaya. Buang baterai bekas sesuai ketentuan, peraturan, dan standar nasional yang berlaku.

### **Pencegahan Kebakaran**

- Jangan menempatkan sumber nyala api terbuka, misalnya lilin yang menyala, di atas perangkat.

- Untuk perangkat dengan bukaan ventilasi, jangan menghalangi lubang ventilasi dengan benda-benda seperti koran, taplak, dan tirai. Jangan menghalangi lubang ventilasi dengan menempatkan perangkat di atas ranjang, sofa, atau permukaan sejenis lainnya.

### **Permukaan Panas**



- **PERHATIAN:** Komponen panas! Jangan sentuh. Jari terbakar saat menangani komponen. Tunggu satu setengah jam setelah peralatan dimatikan sebelum menangani komponen.

## **Catu Daya**

- Voltase input harus memenuhi ketentuan Sumber Daya Terbatas (12 VDC) sesuai standar IEC62368. Silakan lihat spesifikasi teknis untuk informasi terperinci.
- Pastikan steker terhubung dengan benar ke soket daya.
- JANGAN menghubungkan beberapa perangkat ke satu adaptor daya, untuk menghindari panas berlebih atau bahaya kebakaran karena muatan berlebih.
- + menandai terminal positif peralatan yang digunakan dengan, atau menghasilkan arus searah. - menandai terminal negatif peralatan yang digunakan dengan, atau menghasilkan arus searah.

## **Pemasangan**

- Pasang perangkat sesuai petunjuk di dalam manual ini.
- Untuk mencegah cedera, pasang perangkat ini dengan erat ke permukaan pemasangan sesuai petunjuk pemasangan.
- Jangan memasang peralatan ini di lokasi yang tidak stabil. Peralatan dapat terjatuh dan menyebabkan cedera serius hingga kematian.
- Peralatan ini tidak cocok untuk digunakan di lokasi anak-anak beraktivitas.
- Gunakan peralatan ini dengan braket yang ditentukan saja. Penggunaan dengan alat lain (kereta dorong, meja, atau tas pengangkut) dapat menyebabkan peralatan jatuh dan menyebabkan cedera.

## **Keamanan Sistem**

- Harap dipahami bahwa Anda bertanggung jawab untuk mengkonfigurasi semua kata sandi dan setelan keamanan lainnya terkait perangkat, serta menyimpan nama pengguna dan kata sandi Anda.

## **Pemeliharaan**

- Jika produk tidak berfungsi dengan baik, hubungi dealer atau pusat servis terdekat. Kami tidak bertanggung jawab atas masalah yang disebabkan oleh perbaikan atau perawatan yang tidak resmi.
- Usap perangkat secara lembut dengan kain bersih dan sedikit etanol, jika diperlukan.

- Jika perangkat digunakan dengan cara yang tidak sesuai dengan yang ditetapkan produsen, perlindungan dari perangkat mungkin tidak berfungsi maksimal.

### **Lingkungan Penggunaan**

- Pastikan lingkungan tempat beroperasi memenuhi ketentuan perangkat. Suhu pengoperasian harus antara -20°C hingga 50°C (-4°F hingga 122°F), dan kelembapan pengoperasian harus antara 5% hingga 95%.

- JANGAN mengarahkan lensa ke matahari atau cahaya terang lainnya.

- JANGAN membiarkan perangkat terpapar radiasi elektromagnetik tinggi.

### **Darurat**

- Pastikan aliran daya dimatikan sebelum Anda menyambung, memasang, atau membongkar perangkat.

- Jika muncul asap, bau, atau derau dari perangkat, segera matikan perangkat, cabut kabel daya, lalu hubungi pusat servis.

### **SINKRONISASI WAKTU**

- Setel waktu perangkat secara manual untuk akses pertama kali jika waktu setempat tidak sinkron dengan waktu jaringan. Kunjungi perangkat melalui browser Web/perangkat lunak klien dan masuk ke antarmuka pengaturan waktu.

### **Alamat Produsen**

Ruang 313, Unit B, Gedung 2, Jalan Danfeng 399, Sub-distrik Xixing, Distrik Binjiang, Hangzhou, Zhejiang 310052, China  
Hangzhou Microimage Software Co., Ltd.

PENGUMUMAN KEPATUHAN: Produk seri termal ini mungkin tunduk pada kontrol ekspor di berbagai negara atau kawasan, termasuk tak terbatas, Amerika Serikat, Uni Eropa, dan/atau negara-negara lain anggota Kesepakatan Wassenaar. Hubungi ahli hukum atau kepatuhan profesional atau otoritas pemerintah setempat untuk persyaratan lisensi impor yang dibutuhkan jika Anda bermaksud mentransfer, mengekspor, mengekspor kembali produk seri termal antar negara.

# 1 အကျဉ်းချုပ်

## 1.1 အတိုချုပ် ဖော်ပြချက်

အပူသုံး ပုံဖော်ကွန်ရက်ပုံး ကင်မရာ (ဤနေရာ၏ နောက်ပိုင်းတွင် “စက်” ဟု ညွှန်းဆိုထားသည်) သည် အဝေးထိန်း အင်တာနက်သုံး စောင့်ကြည့်ခြင်း၊ ဝီဒီယို ဆာဗာနှင့် အချိန်နှင့်တပြေးညီ အပူချိန်တိုင်းတာခြင်း လုပ်ဆောင်ချက်များကို ပေါင်းစည်းထားခြင်းဖြစ်သည်။

အဝေးမှ ထုတ်လွှင့်ပေးပို့ခြင်း၊ အကြိုကြည့်ရှုခြင်းနှင့် စီစဉ်သတ်မှတ်ခြင်းတို့ကို ဘရောက်ဇာများနှင့် ကလိုင်ယင့်များမှတစ်ဆင့် ဆောင်ရွက်နိုင်သည်။ စက်ကို စနစ်တကျဖွဲ့စည်းထားသော ကြိုးစနစ်မပါဘဲ လွယ်ကူစွာ တပ်ဆင်နိုင်သည်။

အစားအသောက် ထုတ်လုပ်ရေး၊ နေ့စဉ် ဓာတုဗေဒသုံး လုပ်ငန်း၊ PCBA စမ်းသပ်မှု၊ သုတေသနနှင့် အခြားသော လုပ်ငန်းနယ်ပယ်များတွင် ၎င်းကို တွင်ကျယ်စွာ သုံးနိုင်သည်။

## 1.2 လုပ်ဆောင်ချက်များ

စက်တွင် အောက်ပါလုပ်ဆောင်ချက်များ ပါရှိသည်-

- မက်ခရို မုဒ်။
- အပူဖြင့် ရုပ်ပုံဖော်ခြင်း။
- ဆေးရောင်စပ်ပြား များစွာ။
- ပုံတသမတ်တည်းဖြစ်ရန် သေချာစေပြီး ရုပ်ပုံအသေးစိတ်နှင့် ပြုလုပ်ချက်များကို မြှင့်တင်ထားသော စံကိုက်ချိန်ညှိခြင်း။
- အလွန်တရာနိမ့်သော ဘစ်နှုန်းထားတွင် မြင့်မားသောပုံချို့အား အချိုးကို ပုံပိုးပေးနိုင်သော စွမ်းအားမြင့်သည့် ဝီဒီယိုချို့ခြင်း အယ်လ်ဂိုရီသမ်။
- မြန်ဆန်ပြီး အားထားရသော ဒေတာ-လွှဲပြောင်းပေးပို့မှု စွမ်းဆောင်ရည်ပါရှိသော NAS။

- ကလိုင်းယန့်အပေါ် ဆန်းစစ်နိုင်သော အပူချိန် ကန့်သတ်ချက် နှိုးဆော်သတ်ပေးသံနှင့် အခြားသော အပူချိန် တိုင်းတာမှု လုပ်ဆောင်ချက်များ။
- TCP/IP, HTTP နှင့် အခြားသော ပရိုတိုကောလ်များ။
- အဝေးမှ အဆင့်မြှင့်ခြင်းနှင့် ပြုပြင်ထိန်းသိမ်းမှု။

**1.3 အစိတ်အပိုင်းနှင့် အင်တာဖေ့စ် (စာမျက်နှာ 1 – A)**

အသွင်အပြင်မှာ ကိုးကားရန် အတွက်သာဖြစ်သည်။ အမှန်တကယ်ပါသော ကိရိယာသာ အတည်ဖြစ်သည်။

နံပါတ်	အစိတ်အပိုင်းများနှင့် အင်တာဖေ့စ်	ဖော်ပြချက်
1	အပူ မှန်ဘီလူးများ	အပူပုံရိပ်ကို ကြည့်ပါ။
2	မုဒ် ဒိုင်ခွက်	စက်ကို မက်ခရိုမုဒ် သို့မဟုတ် ပုံမှန်မုဒ်သို့ ပြောင်းပါ
3	ဆုံချက်ဘီး	ဆုံချက်အလျားကို ချိန်ညှိပေးသည်။
4	1/4-20 UNC ကန့်သတ်ချက်ဘောင်	ဝက်အူများ တပ်ဆင်ပါ။
5	အပေါက်ကို တည်နေရာရှာခြင်း	အဒပ်တာပေါ်တွင် စက်ကို တည်နေရာချပင်နှင့်အညီ တည့်အောင်ချိန်ရန် ကူညီပါ။

6	ကွန်ရက် အချက်ပြမီးများ	<ul style="list-style-type: none"> <li>● တဖျပ်ဖျပ်လင်း- ကွန်ရက်ဒေတာကို ပေးပို့သည်။</li> <li>● အပြည့်လင်း- ဒေတာမပေးပို့ဘဲ ကွန်ရက်နှင့် ချိတ်ဆက်ထားသည်။</li> </ul>
7	ပြန်ချိန်ခလုတ်	<p>10 စက္ကန့်ကြာ ဖိထားပြီး ခလုတ်ကို လွှတ်လိုက်ပါ။ ထို့နောက် ကိရိယာသည် စက်ရုံထုတ်ဆက်တင်များအတိုင်း ပြန်ဖြစ်သွားမည်။</p>
8	မြေစိုက်ဝက်အူ	<p>လျှပ်စစ်အန္တရာယ်ကင်းရှင်းစေရန် မြေစိုက်ခလုတ်ခုံနှင့် ချိတ်ဆက်ပါ။</p>
9	ပါဝါအချက်ပြမီး	<ul style="list-style-type: none"> <li>● အစိမ်းရောင် အပြည့်- လုပ်ဆောင်နေသည်။</li> <li>● အနီရောင် အပြည့်- စနစ်လုပ်ဆောင်နေသ</li> </ul>

		ည်။
10	တာမိနယ် ဆော့ကတ်	ချိတ်ဆက်ရန် ပင် 10 ခု ပါသည်။
11	ကွန်ရက် အင်တာဖျစ်	RJ-45၊ ကွန်ရက်ဆက်သွယ်ရေး
12	ကွန်ရက်ကြိုး	ပက်ကော့ဂျီရီ ကွန်ရက်ချိတ်ဆက် ကေဘယ်ကြိုးတွင် ပလတ်တပ်လိုက်သော အခါ ယင်းအား ဘေးကင်းစိတ်ချရစေရ န် ကေဘယ်ကြိုးပေါ်တွင် ဝက်အူများကျပ်ပါ။
13	တာမိနယ် ဘလော့ခ်	တာမိနယ် ဆော့ကတ်ထဲသို့ တာမိနယ် ဘလော့ခ်ကို ထိုးတပ်ပါ။ ပြီးလျှင် အောက်ပါ ဇယားတွင် ဖော်ပြထားသော ပင်ဆိုင်ရာ ဖွင့်ဆိုချက်အကြောင်း ကိုးကားချက်နှင့်အညီ ဝါယာကြိုးများကို



		ဆက်ပါ။
--	--	--------

### 1.4 ပင်ဆိုင်ရာ ဖွင့်ဆိုချက် (စာမျက်နှာ 2 – B)

နံပါတ်	အချက်ပြ	ဖော်ပြချက်
1	ပါဝါ	12V DC ပါဝါ အဝင်။ အပေါင်းနှင့် အနုတ် တာမီနယ်များကို မှန်ကန်စွာ ချိတ်ဆက်ပေးပါ။  *စက်ကို တပ်ဆင်ပြီးနောက် စက်ကို အားသွင်းရန် ပက်ကေဂျီထဲတွင် ပါသည့် အဒပ်တာကို သင်က သုံးနိုင်ပါသည်။
2	GND	
3	RS-232_RX	စက်ကို ပြစ်ချက်ရှာဖွေဖယ်ရှားခြင်းအတွက် RS-232 ဆီရီယယ်သုံး ဆက်သွယ်ရေး။
4	RS-232_TX	
5	ALARM_IN	1 သတိပေးမြည်သံ အဝင်၊ 2 သတိပေးမြည်သံ အထွက်များ။
6	ALARM_OUTA	
7	ALARM_OUTB	
8	RS485-	RS-485 ဆီရီယယ် ပို့တ် ဆက်သွယ်ရေး အင်တာဖေ့စ်။
9	RS485+	
10	CVBS	အနုလော့ဂ် ဗီဒီယို ထုတ်ပေးမှု။

### 2 ကွန်ရက် ကင်မရာကို ဖွင့်ပြီး သုံးစွဲခြင်း

www.hikmicrotech.com သို့ သွားရောက်ပြီး HIKMICRO Studio ကို

ဒေါင်းလုဒ် ဆွဲပြီး ထည့်သွင်းပါ။ အသေးစိတ် လည်ပတ်မှု အတွက် ကိရိယာ၏ သုံးစွဲသူ လက်စွဲ စာအုပ်ကို ကိုးကားပါ။

### 3 တပ်ဆင်ခြင်း

စက်ကို မတပ်ဆင်မီ ဤအပိုင်းပါ ညွှန်ကြားချက်များကို ဖတ်ပါ။

**⚠အန္တရာယ်-** စက်ကို တပ်ဆင်သောအခါ၊ ပလတ်တပ်သောအခါ သို့မဟုတ် ပလတ်ဖြုတ်ပေးအခါ လူနှင့် စက်တို့ ဘေးကင်းမှုရှိကြောင်း သေချာစေရန် လျှပ်စစ်စွမ်းအင်များကို ဖြတ်တောက်ပါ။

#### 3.1 မရှိမဖြစ် ရှိထားရမည့် လိုအပ်ချက်များ

ပက်ကော့ဂျ်တွင်ပါသည့် စက်သည် ကောင်းမွန်သော အခြေအနေတွင် ရှိကြောင်း၊ တပ်ဆင်ရမည့် ပစ္စည်းအစိတ်အပိုင်းများအားလုံး ပါရှိကြောင်းနှင့် မတပ်ဆင်မီ လိုအပ်သော အစိတ်အပိုင်းများကို ပြင်ဆင်ပြီးဖြစ်ကြောင်း သေချာအောင်လုပ်ပါ။

- စက်ကို တပ်ဆင်သော အချိန်တွင် ပတ်ဝန်းကျင်အပူချိန်သည်  $-20\text{ }^{\circ}\text{C} \sim +50\text{ }^{\circ}\text{C}$  အကြားနှင့် စိုထိုင်းဆ အဆင့်သည် ငွေ့ရည်ဖွဲ့ခြင်းမရှိဘဲ  $\leq 90\% \pm 5\%$  ရှိကြောင်း သေချာအောင်လုပ်ပါ။
- စက်သည် ရေစိုခံမဟုတ်ပါ။ စက်ကို နေရောင်ခြည်နှင့်တိုက်ရိုက်ထိတွေ့အောင် လှစ်ဟမထားပါနှင့် သို့မဟုတ် ပြင်ပ ပတ်ဝန်းကျင်များတွင် စက်ကို တသီးတခြား မတပ်ဆင်ပါနှင့်။
- စက်နှင့် ၎င်း၏ ဆက်စပ်ပစ္စည်းများကို တပ်ဆင်ရန် လုံလောက်သော နေရာလွတ်ရှိကြောင်း သေချာအောင် လုပ်ထားပါ။ စက်၏ အတိုင်းအတာကို ကြည့်ပါ (စာမျက်နှာ 2 - C)၊ ယူနစ်- မီလီမီတာ [လက်မ]။
- တပ်ဆင်ချိန်အတွင်း ဤလမ်းညွှန်ပါ ဘေးကင်းရေးညွှန်ကြားချက်များကို ဂရုပြုအာရုံစိုက်၍ လိုက်နာပါ။

#### 3.2 စက်တပ်ဆင်ခြင်း

ဤအပိုင်းသည် သုံးချောင်းထောက်နှင့် မိုက်ခရိုစကုပ် တင်စရာတို့ တပ်ဆင်နည်းများကို သင့်အတွက် ကိုးကားစရာများအဖြစ် မိတ်ဆက်ပေးသည်။ တကယ်ကြုံတွေ့ရသော ဖြစ်နိုင်ခြေများအလိုက် တင်ဆင်သည့်နည်းလမ်းတစ်ခုကို ရွေးချယ်ပါ။

**3.2.1 သုံးချောင်းထောက်ကို တွဲဆက်ပါ (စာမျက်နှာ 3 – D)**

စက်တွင် 1/4-20 UNC မူလီချောင်းထည့်အပေါက်များပါရှိပြီး သုံးချောင်းထောက်ကို ၎င်းအား အခြားသော အထိုင်မရွေ့သော ဖြစ်နိုင်ခြေရှိသည့်အရာများနှင့် တွဲဆက်ရာတွင် 1/4-20 UNC အဒပ်တာခံပြီး တွဲဆက်နိုင်သည်။

**အဆင့်များ-**

1. သင့်တော်သော အဒပ်တာ (②), ကို သုံးပါ။ ပြီးလျှင် စက်ပေါ်ရှိ 1/4-20 UNC မူလီချောင်းအပေါက်များမှတစ်ဆင့် အဒပ်တာကို စက် (①) နှင့်တွဲရန် 1/4-20 UNC ဝက်အူကို သုံးပါ။
2. တပ်ဆင်သည့်အပြားပေါ်တွင် အစိတ်အပိုင်းများဆက်ထားသော စက်နှင့် အဒပ်တာကို တင်ကာ စက်ကို တပ်ဆင်ရန် သုံးချောင်းထောက်ပေါ်တွင် လှည့်၍အလျှော့အတင်းလုပ်ကာ ကျပ်ရသော လက်ကိုင်ပါမူလီချောင်း (③) ကို သုံးပါ။

**3.2.2 မိုက်ခရိုစကုပ် တင်စရာနှင့် တွဲဆက်ပါ (စာမျက်နှာ 4, 5 – E)**

စက်တွင် မူလီအရစ်ပါသောအပေါက်များ 1/4-20 UNC (⑥) ပါရှိပြီး အနာဂတ်တွင်ကြုံတွေ့ရနိုင်ခြေရှိသော အခြေအနေအသေးစိတ် ဖော်ပြချက်များအလိုက် 1/4-20 UNC အဒပ်တာတစ်ဆင့်ခံကာ မိုက်ခရိုစကုပ်စတန်း (③) ပေါ်တွင် တပ်ဆင်နိုင်သည်။

**အဆင့်များ-**

1. စက်ပေါ်တွင်ပါသည့် တည်နေရာချရန် အပေါက် (④) ကို သုံးပြီး

အဒပ်တာ (၂) ပေါ်တွင် တည်နေရာချ ပင် (၁) ကို တည့်မတ်အောင်ချိန်ပါ။

2. စက်ကို အထိုင်တင်စရာနေရာပေါ်တွင် တပ်ရန် မိုက်ခရိုစကုပ်တင်စရာပေါ်တွင် မြဲအောင်တပ်သည့် ဝက်အူ (၅) ကို တင်းကျပ်ပါ။

3. အရာဝတ္ထု အကွာအဝေးကို ချိန်ညှိပြီး စက်နှင့် ပစ်မှတ်အကြား အကွာအဝေးသည် 4.3 cm ရှိပါစေ။

4. မုဒ် ဒိုင်ခွက်ကို မက်ခရိုမုဒ် (၇) သို့ လှည့်ပြီးနောက် (၈) တည်နေရာရှာပင်နှစ်ခု ကို ချိန်ညှိရန် ဆုံချက်ဘီး (၉) ကို လှည့်ပါ။

**4 သုံးစွဲသူ လက်စွဲစာအုပ် (စာမျက်နှာ 4 - F)**

**5 နည်းပညာဆိုင်ရာ ကူညီပံ့ပိုးမှု**

သင်၏ HIKMICRO ထုတ်ကုန်များကို အကောင်းဆုံး အသုံးပြုနိုင်ရန် HIKMICRO သုံးစွဲသူဖြစ်သော သင့်အား

<https://www.hikmicrotech.com/en/contact-us.html> ပေါ်တယ်က ကူညီပေးပါမည်။ ပေါ်တယ်တွင် ကျွန်ုပ်တို့၏ ကူညီပံ့ပိုးရေးအဖွဲ့၊ ဆော့ဖ်ဝဲနှင့် စာရွက်စာတမ်း၊ ဝန်ဆောင်မှု အဆက်အသွယ်များ စသည်တို့ကို ဝင်ရောက် သုံးစွဲနိုင်ပါသည်။

**စည်းမျဉ်းစည်းကမ်း လိုက်နာရန်နှင့် ဘေးကင်းရေး အချက်အလက်**

စက်ကိုအသုံးမပြုမီ ဤစာရွက်စာတမ်းရှိ အချက်အလက်နှင့် ညွှန်ကြားချက်အားလုံးကို သေချာဖတ်ပြီး နောင်တွင် ကိုးကားရန်အတွက် သိမ်းဆည်းထားပါ။

စက်ဆိုင်ရာ အချက်အလက်နှင့် ညွှန်ကြားချက်များကို ပိုမိုသိရှိလိုပါက၊ ကျွန်ုပ်တို့၏ ဝက်ဘ်ဆိုက်ဖြစ်သော <https://www.hikmicrotech.com> သို့ ဝင်ရောက်ကြည့်ရှုပါ။ စက်နှင့်အတူပါရှိသော အခြားစာရွက်စာတမ်းများ (ရှိပါက) ကိုလည်း ကိုးကားနိုင်သည် သို့မဟုတ် အချက်အလက်ပိုမိုရရှိရန်

ထုပ်ပိုးမှုတွင် QR ကုဒ် (ရှိပါက) စကန်ဖတ်နိုင်သည်။

**ဥပဒေကြောင်းဆိုင်ရာ ဖော်ထုတ်ချက်**

အကျိုးဝင်သည့် သက်ဆိုင်သောဥပဒေက ခွင့်ပြုထားသည့် အမြင့်ဆုံး အတိုင်းအတာဖြင့် ဤလက်စွဲစာအုပ်နှင့် ဖော်ပြထားသော ထုတ်ကုန်ကို ၎င်း၏ စက်ပစ္စည်းများ၊ ဆော့ဖ်ဝဲနှင့် ဖမ်းဝဲများနှင့်အတူ “ယင်းအတိုင်း” နှင့် “အမှားအယွင်းများအားလုံးနှင့်အတူ” ဖော်ပြထားသည်။ HIKMICRO သည် ကန့်သတ်မှု၊ ကုန်သွယ်နိုင်စွမ်း၊ ကျေနပ်လောက်ဖွယ် အရည်အသွေး၊ သို့မဟုတ် သီးခြားရည်ရွယ်ချက် တစ်စုံတစ်ခုအတွက် ကြံ့ခိုင်မှုများ မရှိခြင်း အပါအဝင် မည်သည့် အာမခံချက်များကို အတိအလင်း ဖြစ်စေ သွယ်ဝိုက်၍ ဖြစ်စေ ပေးထားခြင်း မရှိပါ။ ကုန်ပစ္စည်းအား အသုံးပြုပါက သင့်ဘာသာသင် တာဝန်ယူ ရမည်။ မည်သည့်အခြေအနေတွင်မဆို စာချုပ်ချိုးဖောက်မှုကြောင့်ဖြစ်စေ၊ အကျိုးပျက်စီး၍ဖြစ်စေ (ပေါ့လျော့မှု အပါအဝင်)၊ ထုတ်ကုန်ပစ္စည်း ပြဿနာ ကြောင့်ဖြစ်စေ၊ သို့မဟုတ်ပါက ဤထုတ်ကုန်ပစ္စည်းအား အသုံးပြုမှုကြောင့် ဖြစ်စေ စီးပွားရေးလုပ်ငန်း အကျိုးအမြတ် ဆုံးရှုံးမှု သို့မဟုတ် အချက်အလက် ဆုံးရှုံးမှု၊ စနစ်များ ယိုယွင်းပျက်စီးမှု သို့မဟုတ် စာရွက်စာတမ်း ပျက်စီး ပျောက်ဆုံးမှုကြောင့် ထိခိုက်မှုများ အပါအဝင် အထူးတလည်၊ အကျိုးဆက်စပ်၍ မတော်တဆ သို့မဟုတ် တိုက်ရိုက် ထိခိုက်မှုများအတွက် ထိုထိခိုက်မှု သို့မဟုတ် ဆုံးရှုံးမှုများအကြောင်း HIKMICRO အား အကြံပြု အသိပေးပြီး ဖြစ်စေကာမူ HIKMICRO မှ တာဝန်ယူမည် မဟုတ်ပါ။

အင်တာနက် သဘောသဘာဝအရ တည်ရှိဆဲ လုံခြုံရေး ဘေးအန္တရာယ်များ ပေးနိုင်သည်ကို သင် အသိအမှတ်ပြုပြီး ပုံမှန်မဟုတ်သော လုပ်ငန်းလည်ပတ်မှု၊ ပုဂ္ဂိုလ်ရေးဆိုင်ရာ အချက်အလက် ပေါက်ကြားမှု သို့မဟုတ် ဆိုင်ဘာ တိုက်ခိုက်မှုများ၊ ဟက်ကာ တိုက်ခိုက်မှုများ၊ ဗိုင်းရပ်စ် ကူးစက်မှု သို့မဟုတ် အခြား အင်တာနက် လုံခြုံရေး အန္တရာယ်များ၏

ရလဒ်အဖြစ် ဖြစ်ပေါ်လာသော အခြားပျက်စီးမှုများ၊ အပေါ် HIKMICRO သည် တာဝန်ယူလိမ့်မည်မဟုတ်ပါ။ သို့ရာတွင် HIKMICRO သည် လိုအပ်ပါက နည်းပညာပံ့ပိုးမှုကို အချိန်နှင့် တစ်ပြေးညီပေးသွားမည်။ သင်သည် အကျုံးဝင်သော ဥပဒေများနှင့် အညီ ဤကုန်ပစ္စည်းကို အသုံးပြုရန် သဘောတူညီပြီး သင်၏ အသုံးပြုမှုသည် အကျုံးဝင်သော ဥပဒေနှင့် ကိုက်ညီစေရန် သင်က လုံးဝ တာဝန်ခံရမည် ဖြစ်သည်။ အထူးသဖြင့် သင်သည် ဤကုန်ပစ္စည်းကို အသုံးပြုရာတွင် အများပြည်သူ၏ အခွင့်အရေးများ၊ အသိပညာ ပိုင်ဆိုင်မှု အခွင့်အရေးများ သို့မဟုတ် အချက်အလက် ကာကွယ်ရေး နှင့် အခြား ပုဂ္ဂိုလ်ရေး ဆိုင်ရာ အချက်အလက် လုံခြုံမှု အခွင့်အရေးများ အပါအဝင် ဖြစ်သော်လည်း ယင်းတို့သာ အကန့်အသတ်မဟုတ်ဘဲ အပြင်အပ လူပုဂ္ဂိုလ် များ၏ အခွင့်အရေးများကို ချိုးဖောက်သော ပုံစံဖြင့် အသုံးပြုခြင်း မပြုရန် သင့်တွင် တာဝန်ရှိသည်။ လူ့အစုအပြုံလိုက် သေကြေပျက်စီးစေနိုင်သော လက်နက်များ တီထွင် ဖန်တီးခြင်း သို့မဟုတ် ထုတ်လုပ်ခြင်း၊ ဓာတု သို့မဟုတ် ဇီဝ လက်နက်များ တီထွင်ဖန်တီးခြင်း သို့မဟုတ် ထုတ်လုပ်ခြင်း၊ မည်သည့် ပေါက်ကွဲစေတတ်သော နျူးကလီးယား လက်နက် သို့မဟုတ် ဘေးကင်းလုံခြုံမှု မရှိသော နျူးကလီးယား လောင်စာ သံသရာတို့နှင့် သက်ဆိုင်သော အခြေအနေတွင် သို့မဟုတ် လူ့အခွင့်အရေး ချိုးဖောက်မှုကို ပံ့ပိုးသော လုပ်ဆောင်မှု တစ်စုံတရာ တို့ အပါအဝင် မည်သည့် အဆုံးသတ် အသုံးပြုမှု အတွက်ကိုမဆို သင်သည် ဤကုန်ပစ္စည်းကို အသုံးပြုခြင်း မပြုရပါ။

ဤလမ်းညွှန်နှင့် သက်ဆိုင်ရာ ဥပဒေတို့အကြား ကွဲလွဲမှုများ ရှိခဲ့ပါက ဥပဒေပါ ပြဋ္ဌာန်းချက်ကိုသာ အတည်ယူရမည်။

**စည်းကမ်းချက်ဆိုင်ရာ အချက်အလက်များ**

---

**ဤအပိုဒ်များသည် သက်ဆိုင်ရာ အမှတ်အသား သို့မဟုတ်**

**အချက်အလက်များ ပါရှိသော ထုတ်ကုန်များနှင့်သာ သက်ဆိုင်ပါသည်။**

**EU လိုက်နာရန် ထုတ်ပြန်ချက်**

**CE** ဤထုတ်ကုန် နှင့် - သက်ဆိုင်ပါက- ထည့်သွင်းပါရှိသော အပိုပစ္စည်းများမှာလည်း "CE" အမှတ်အသား ပါရှိသည်။ သို့ဖြစ်ရာ 2014/30/EU (EMCD) လမ်းညွှန်ချက် နှင့် 2011/65/EU (RoHS) တို့အောက်ရှိ စာရင်း ပြုစုထားသော သက်ဆိုင်ရာ ဟန်ချက်ညီသော ဥပဒေပ စံချိန်စံညွှန်းများနှင့် ကိုက်ညီသည်။ မှတ်ချက်- 50 မှ 1000 VAC အတွင်း သို့မဟုတ် 75 မှ 1500 VDC အတွင်း အဝင်ဗို့အားရှိသော ထုတ်ကုန်များသည် လမ်းညွှန်ချက် 2014/35/EU (LVD) နှင့် ကိုက်ညီပြီး ကျန်ထုတ်ကုန်များသည် လမ်းညွှန်ချက် 2001/95/EC (GPSD) နှင့် ကိုက်ညီပါသည်။ သတ်မှတ်ထားသော ပါဝါ ပေးသွင်းမှု အချက်အလက်ကို ကိုးကားချက်များအတွက် ကျေးဇူးပြု၍ စိစစ်ပါ။

သတိပေးချက်- ဤသည်မှာ အတန်းအစား A ထုတ်ကုန်ဖြစ်ပါသည်။ ဒေသတွင်း ပတ်ဝန်းကျင်တစ်ခု၌ ဤကုန်ပစ္စည်းသည် ရေဒီယိုဆက်သွယ်ရေး အနှောင့်အယှက်ကို ဖြစ်စေနိုင်သောကြောင့် အသုံးပြုသူသည် လုံလောက်သော ဆောင်ရွက်ချက်များကို လုပ်ဆောင်ရန်လိုအပ်ပါသည်။



2012/19/EU (WEEE ညွှန်ကြားချက်)- ဤသင်္ကေတ ကပ်ထားသည့် ထုတ်ကုန်များကို ဥပဒေပမဂ္ဂအတွင်း ရောနှောစည်ပင်အမှုှက်အနေဖြင့် စွန့်ပစ်နိုင်ခြင်း မရှိပါ။

သေချာစွာ ရီဆိုင်ကယ်လုပ်ရန်အတွက် ဤထုတ်ကုန်ပစ္စည်းကို အလားတူ ပစ္စည်းအသစ်တစ်ခု ဝယ်ယူချိန်တွင် သင့်နယ်ခံ ပစ္စည်းရောင်းချသူထံ ပြန်ပေးပါ သို့မဟုတ် သတ်မှတ်ထားသည့် ပစ္စည်းစုဆောင်းသော နေရာများ၌ စွန့်ပစ်ပါ။ ပိုမိုသိရှိလိုပါက [www.recyclethis.info](http://www.recyclethis.info)



2006/66/EC နှင့် ၎င်း၏ ပြင်ဆင်ချက် 2013/56/EC (ဘက်ထရီ လမ်းညွှန်ချက်)- ဤထုတ်ကုန်ပစ္စည်းတွင် ဥရောပသမဂ္ဂအတွင်း ရောနှော စည်ပင်အမှိုက်အနေဖြင့် စွန့်ပစ်နိုင်ခြင်း မရှိသည့် ဘက်ထရီ တစ်လုံး ပါဝင်နေပါသည်။ ဘက်ထရီအတွက် သီးသန့်အချက် အလက်များကို ထုတ်ကုန်ပစ္စည်းပါ စာရွက်စာတမ်းများ၌ ကြည့်ပါ။ ဤဘက်ထရီကို ကတ်ဒီယမ် (Cd)၊ ခဲ (Pb) သို့မဟုတ် ပြဒါး (Hg) ဟု ညွှန်ပြမည့် စွန့်ပစ်ခြင်းပါဝင်နိုင်ကြောင်း ဤသင်္ကေတဖြင့် မှတ်သားထားပါသည်။ သေချာစွာ ရီဆိုင်ကယ်လုပ်ရန်အတွက် ဤဘက်ထရီကို သင့်နယ်ခံ ပစ္စည်း ရောင်းချသူထံ ပြန်ပေးပါ သို့မဟုတ် သတ်မှတ်ထားသည့် စုဆောင်းသော နေရာ၌ စွန့်ပစ်ပါ။ ပိုမိုသိရှိလိုပါက [www.recyclethis.info](http://www.recyclethis.info) တွင်ကြည့်ပါ။

**ဘေးကင်းလုံခြုံရေး ညွှန်ကြားချက်များ**

ဤညွှန်ကြားချက်များသည် အန္တရာယ် သို့မဟုတ် ပိုင်ဆိုင်မှုပစ္စည်းပျောက်ဆုံးမှုမှ ရှောင်ရှားနိုင်ရန်အတွက် အသုံးပြုသူအနေဖြင့် ထုတ်ကုန်ကို မှန်ကန်စွာအသုံးပြုနိုင်စေရန် ရည်ရွယ်ပါသည်။ အသုံးမပြုမီ ဘေးကင်းရေးဆိုင်ရာ အချက်အလက်များကို သေချာစွာ ဖတ်ရှုပါ။

**ဥပဒေများနှင့် လုပ်ထုံးလုပ်နည်းများ**

ကိရိယာကို ဒေသဆိုင်ရာ ဥပဒေများ၊ လျှပ်စစ်ပစ္စည်း ဘေးကင်းလုံခြုံမှု စည်းမျဉ်းစည်းကမ်းများ နှင့် မီးဘေး ကာကွယ်ရေး စည်းမျဉ်းစည်းကမ်းများနှင့် အညီ သုံးစွဲရမည်။

**သယ်ယူပို့ဆောင်ရေး**

- ကိရိယာကို သယ်ယူပို့ဆောင်ရာတွင် မူလ သို့မဟုတ် အလားတူ ထုပ်ပိုးမှုအတိုင်း ထားပါ။
- ထုတ်ကုန်ပစ္စည်းကို လွတ်မကျပါစေနှင့် သို့မဟုတ် တုန်ခါ၍



ဒက်ဖြစ်သွားခြင်း မဖြစ်စေပါနှင့်။ ကိရိယာကို သံလိုက်စက်ကွင်း  
နှောက်ယှက်မှုမှ ဝေးရာတွင် ထားပါ။

**လျှပ်စစ်အန္တရာယ် ဘေးကင်းရေး**

● သတိပြုရန်- ကိရိယာ၏ ဖြူးစက်ကို လဲလှယ်နိုင်ပါက မီးလောင်ခြင်း  
သို့မဟုတ် လျှပ်စစ်ရှေးခံ အန္တရာယ် ဖြစ်နိုင်ချေ လျော့ကျစေရန် တူညီသော  
မော်ဒယ်ဖြင့်သာ အစားထိုးလဲလှယ်ပါ။

● ဖျူးကို ကြားနေဝါယာကြိုးနှင့် ချိတ်ဆက်ထားပြီး ငုတ်နှစ်ခု/ ကြားနေ  
ဖျူးကြိုးပျက်ခြင်း ဖြစ်ပေါ်ပါက ဖျူးဖြင့် လျှပ်စစ်ဒက်ခံပြီးသည့်တိုင် လျှပ်စစ်  
ဆက်စီးဝင်နေသည့် စက်ပစ္စည်း အစိတ်အပိုင်းများသည်  
ပြုပြင်ထိန်းသိမ်းမှုလုပ်နေစဉ် အန္တရာယ်ဖြစ်စေနိုင်ပါသည်။

● ဤပစ္စည်းကို မြေချကြိုးတပ်ဆင်ထားသည့် မိန်းပလပ်ပေါက်နှင့်  
ချိတ်ဆက်ထားရမည်။

● ပလပ်ပေါက်ကို ကိရိယာအနီးတွင် တပ်ဆင်ထားရမည်ဖြစ်ပြီး  
အလွယ်တကူ ချိတ်ဆက်နိုင်ရမည်ဖြစ်သည်။

● ကိရိယာကို ပါဝါ ပိတ်ပြီးနောက်တွင် လျှပ်စစ်ခါတ်အား  
ရှိနေနိုင်သေးသောကြောင့် (အဝင်အထွက်များ ၏ သတ္တုမျက်နှာပြင်များ)  
မထိတွေ့ပဲ အနည်းဆုံး 5 မိနစ်ခန့် စောင့်ပါ။

● ကိရိယာသည် တာမီနယ်များနှင့် ပါဝါကြိုးဖြင့် ဆက်သွယ်ထားပြီး  
ပါဝါရှိနေပါက၊ ဗို့အား နှင့် ပင်မ လျှပ်စစ်ခါတ်အား  
အဆက်အသွယ်များအတွက် တာမီနယ်များနှင့် ဝါယာဆက်သွယ်မှုများ  
မှန်ကန်အောင် ဂရုပြုပါ။

**ဘက်ထရီ**

သတိပေးချက်-

● ထုတ်ကုန်ပစ္စည်း သို့မဟုတ် ဘက်ထရီကို ရေမစိုစေပါနှင့် သို့မဟုတ်  
ရေထိပါစေနှင့်။

● ပေါက်ကွဲခြင်း သို့မဟုတ် မီးလောင်လွယ်သော အရည် သို့မဟုတ် ဓာတ်ငွေ့များ ယိုစိမ့်စေသည့် မီး သို့မဟုတ် အပူပေးမီးဖိုကဲ့သို့သော အလွန်မြင့်မားသော အပူချိန်ပတ်ဝန်းကျင်တွင် ထုတ်ကုန်ပစ္စည်းကို မထားပါနှင့်။

● ထုတ်ကုန်ပစ္စည်းကို ပူနေသော ထည့်စရာများ၊ အဝတ်လျှော်စက်များ သို့မဟုတ် ဖိအားများသော ထည့်စရာများတွင် မထားပါနှင့်။

● ဤပစ္စည်းတပ်ဆင်သည့် ပတ်ဝန်းကျင်သည် သတ်မှတ်ထားသည့် အပူချိန်နှင့် စိုထိုင်းဆအတွင်း ရှိရမည်။ နေရောင်ဖြင့်တိုက်ရိုက်ထိခြင်း မဖြစ်စေရ။ အတားအဆီးများ သို့မဟုတ် မီးလောင်လွယ်သည့် ပစ္စည်းများနှင့် ဝန်းရံနေခြင်း မရှိရပါ။ သို့မဟုတ်ပါက အန္တရာယ်ဖြစ်နိုင်သည်။

● ဤဘက်ထရီကို အလွန်နိမ့်သည့် လေဖိအားနှင့် ထိတွေ့ခြင်း မရှိစေရ။ ၎င်းသည် ပေါက်ကွဲမှု ဖြစ်နိုင်သည် သို့မဟုတ် မီးလောင်လွယ်သည့် အရည် သို့မဟုတ် ဓာတ်ငွေ့များ ထွက်လာနိုင်သည်။  
သို့လျှင်အခန်း-

● ဘက်ထရီကို အလင်းရောင်နှင့် ရေတို့ဖြင့် ထိတွေ့မှုမရှိသည့် ဂိုထောင် သို့မဟုတ် အခန်းတွင်းနေရာ၌ သိမ်းဆည်းရမည်။ ဘက်ထရီကို နေရောင်တိုက်ရိုက်ကျသည့်နေရာ သို့မဟုတ် မိုးရေနှင့် အခြားရေများဖြင့် ထိတွေ့နိုင်သည့် နေရာတို့တွင် မထားပါနှင့်။

● ဘက်ထရီသိမ်းဆည်းရန် အပူချိန်သတ်မှတ်ချက်- 10 °C မှ 30 °C အတွင်း။

● ဘက်ထရီသိမ်းဆည်းရန် နှိုင်းရစိုထိုင်းဆသတ်မှတ်ချက်- ≤60% RH။ လည်ပတ်လုပ်ဆောင်ခြင်းနှင့် အသုံးပြုမှု-

● သတိပေးချက်- ဤစက်ပစ္စည်းတွင် တစ်ပါတည်းထည့်သွင်းထားသော ဘက်ထရီများပါဝင်ပြီး ယင်းဘက်ထရီများကို ကျွမ်းကျင်သူတို့၏ အကူအညီမပါဘဲ ဖြုတ်ခြင်း၊ အသစ်လဲခြင်း သို့မဟုတ် ပြင်ဆင်ခြင်းများ

မလုပ်သင့်ပါ။ သို့မဟုတ်ပါက ပေါက်ကွဲခြင်း၊ မီးလောင်ခြင်း သို့မဟုတ် ဓာတုပစ္စည်းများကြောင့် တိုက်စားခြင်းများ ဖြစ်နိုင်သည်။

● သတိပေးချက်- ဘက်ထရီကို ညှစ်ခြင်း၊ ထိုးဖောက်ခြင်း၊ ထုရိုက်ခြင်း၊ စက်ကိရိယာဖြင့် ရိုက်နှက်ခြင်း သို့မဟုတ် ဖြုတ်ခြင်းများ မလုပ်ပါနှင့်။ ဘက်ထရီပျက်စီးနေလျှင် ပူလာခြင်း၊ မီးလောင်ခြင်း သို့မဟုတ် ပေါက်ကွဲခြင်းများ ဖြစ်နိုင်သည်။

● သတိပေးချက်- ဘက်ထရီပျက်စီးနေလျှင် အသစ်လဲရန် ရောင်းပြီးနောက်ပိုင်း ဝန်ဆောင်မှုကို ဆက်သွယ်ပါ။ ဤအစိတ်အပိုင်းကို ကိုယ်တိုင်ပြင်ဆင်ခြင်း သို့မဟုတ် အသစ်လဲခြင်းများ မလုပ်ပါနှင့်။

● သတ်မှတ်ထားသည့် အပူချိန်အတိုင်းအတာအတွင်း၌သာ အားသွင်း၊ အားလျှော့ခြင်းများ လုပ်ရမည်ဖြစ်ပြီး အားသွင်းနေချိန် အနီးဝန်းကျင်၌ အကာအကွယ်များ သို့မဟုတ် မီးလောင်လွယ်သည့် ပစ္စည်းများ ရှိပါက အန္တရာယ်ဖြစ်နိုင်ပါသည်။

● ဘက်ထရီပိုဆောင်ရန် အားအနည်းငယ် သွင်းထားရမည်။

● ဘက်ထရီကို စစ်ဆေးရာတွင် အကာအကွယ်ပေး မျက်မှန်နှင့် လက်အိတ်များ ဝတ်ဆင်ရမည်။

● ဘက်ထရီယိုစိမ့်ပြီး အရေပြား သို့မဟုတ် မျက်လုံးအပေါ် အရည်များ စင်ပါက တတ်နိုင်သမျှအမြန်ဆုံး ရေသန့်ဖြင့်ဆေးပြီး ဆေးကုသမှု ချက်ချင်းခံယူပါ။

● ဘက်ထရီမီးလောင်ခဲ့လျှင် အမြှုပ်သုံး မီးသတ်ဆေးဘူး၊ အမှန်ခြောက် မီးသတ်ဆေးဘူး သို့မဟုတ် မီးသတ်သဲတို့ဖြင့် မီးငြိမ်းပါ။

● မူလပါသည့် သို့မဟုတ် သတ်မှတ်ထားသည့် ဘက်ထရီအားသွင်းကိရိယာကို အသုံးပြုပါ။ အားသွင်းနည်းနှင့် ဘက်ထရီအားသွင်းကိရိယာ မမှန်ကန်ပါက ဘက်ထရီထိခိုက်ပျက်စီးနိုင်ပြီး မီးလောင်ခြင်းနှင့် အခြားပြဿနာများ ဖြစ်နိုင်သည်။

- ဘက်ထရီကို ပျက်နေသည့်ချာဂျာနှင့် အားမသွင်းပါနှင့်။
  - သတ်မှတ်ထားသည့် အားသွင်းချိန်ပြည့်လျှင် အားဆက်မသွင်းပါနှင့်။
- ဘက်ထရီပူလာခြင်း၊ ပေါက်ကွဲခြင်း သို့မဟုတ် မီးလောင်ခြင်းများ ဖြစ်နိုင်သည်။

အသုံးမလိုတော့သော ဘက်ထရီ စွန့်ပစ်မှုဆိုင်ရာ သတ်မှတ်ချက်များ-

- ဘက်ထရီများသည် အဆိပ်အတောက်ဖြစ်ပြီး ဘေးအန္တရာယ် ပေးနိုင်သည်။ စွန့်ပစ်ဘက်ထရီများကို သက်ဆိုင်ရာ နိုင်ငံ့ဥပဒေများ၊ စည်းကမ်းချက်များနှင့် စံချိန်စံညွှန်းများနှင့်အညီ စွန့်ပစ်ပါ။

**မီးဘေး ကာကွယ်တားဆီးရေး**

- မီးထွန်းထားသည့် ဖယောင်းတိုင်များ ကဲ့သို့သော အကာအကွယ်မရှိသည့် မီးအရင်းအမြစ်များကို ပစ္စည်းအပေါ်တွင် မထားရပါ။
- လေဝင်လေထွက်ပေါက်များ ပါဝင်သည့် ကိရိယာများအတွက် ထိုလေဝင်လေထွက်ပေါက်များကို သတင်းစာ၊ ဖုန်သုတ်ဝတ်၊ ခန်းစီးလိုက်ကာ အစရှိသည့် ပစ္စည်းများဖြင့် ပိတ်မထားပါနှင့်။ အိပ်ရာ၊ ဆိုဖာ၊ ကောဇော သို့မဟုတ် အခြားအလားတူ မျက်နှာပြင်ပေါ်တွင် စက်များ ထားခြင်းဖြင့် လေဝင်လေထွက်ပေါက်များကို မည်သည့်အခါမျှ ပိတ်ဆို့ခြင်း မပြုရပါ။

**ပူနေသော မျက်နှာပြင်**



- သတိပြုရန်- ပူသော အစိတ်အပိုင်းများ မထိရပါ။ ကိုင်တွယ်စဉ် လက်ချောင်းများ အပူလောင်စေနိုင်သည်။ အစိတ်အပိုင်းများကို မကိုင်တွယ်မီ ခလုတ်ပိတ်ပြီး အနည်းဆုံး တစ်နာရီခွဲ စောင့်ဆိုင်းပါ။

**ပါဝါ ပေးသွင်းမှု**

- အဝင်ဗို့အားသည် IEC62368 စံနှုန်းအရ ကန့်သတ်ထားသော ပါဝါရင်းမြစ် (12 VDC) နှင့် ကိုက်ညီရမည်။ အသေးစိတ်အချက်အလက်များအတွက်

နည်းပညာဆိုင်ရာ သတ်မှတ်ဖော်ပြချက်များကို ကျေးဇူးပြု၍ ကိုးကားပါ။

● ပလပ်ခေါင်းသည် ပါဝါ အပေါက်တွင် ကောင်းမွန်စွာ ချိတ်ဆက်ထားမှု ရှိမရှိကို သေချာ မြေချထားပါ။

● အလုပ်ပိုကြောင့် ဖြစ်ပေါ်လာသော အပူလွန်ခြင်း သို့မဟုတ် မီးဘေးအန္တရာယ်ကို ရှောင်ရှားရန် ပါဝါခုံ တစ်ခုတွင် ကိရိယာ အများအပြားကို မဆက်ထားပါနှင့်။

● + တိုက်ရိုက်လျှပ်စီးကြောင်းနှင့် အသုံးပြုသော သို့မဟုတ် တိုက်ရိုက်လျှပ်စီးကြောင်း ထွက်သော ကိရိယာ၏ အပေါင်းငုတ်(များ)ကို ခွဲခြားမှတ်သားပါ။ - တိုက်ရိုက်လျှပ်စီးကြောင်းနှင့် အသုံးပြုသော သို့မဟုတ် တိုက်ရိုက်လျှပ်စီးကြောင်း ထွက်သော ကိရိယာ၏ အနှုတ်ငုတ်(များ)ကို ခွဲခြားမှတ်သားပါ။

**တပ်ဆင်ခြင်း**

● ဤလက်စွဲစာအုပ်ပါ ညွှန်ကြားချက်များအတိုင်း ကိရိယာကို တပ်ဆင်ပါ။

● ထိခိုက်ဒဏ်ရာ ရခြင်းမှ ကာကွယ်ရန် ဤကိရိယာကို တပ်ဆင်မှု လမ်းညွှန်ချက်များနှင့် အညီ တပ်ဆင်သည့် မျက်နှာပြင်တွင် သေချာစွာ တပ်ဆင်ပါ။

● ကိရိယာကို မတည်ငြိမ်သော နေရာများတွင် မည်သည့်အခါမျှ တပ်ဆင်ခြင်း မပြုရပါ။ ဤကိရိယာ ပြုတ်ကျ၍ အနာတရ ပြင်းထန်စွာဖြစ်စေ၊ အသက်ဆုံးရှုံးသည်အထိ ဖြစ်စေ အန္တရာယ် ဖြစ်စေနိုင်သည်။

● ဤကိရိယာကို ကလေးများရှိနိုင်သည့် နေရာမျိုးတွင် အသုံးပြုရန် မသင့်လျော်ပါ။

● ဤကိရိယာကို ၎င်းနှင့်လိုက်ဖက်သော ဒေါက်များဖြင့်သာ အသုံးပြုရန်ဖြစ်ပါသည်။ အခြား (လက်တွန်းလှည်းများ၊ စင်များ သို့မဟုတ် သယ်ဆောင်သည့်စင်များ) ပစ္စည်းများနှင့် အသုံးပြုခြင်းကြောင့် မတည်မငြိမ်ဖြစ်ပြီး အနာတရ ဖြစ်စေနိုင်ပါသည်။

### **စနစ် လုံခြုံရေး**

● သင့်အနေဖြင့် ဤကိရိယာနှင့် ပတ်သက်သည့် စကားဝှက်များနှင့် အခြားလုံခြုံရေး ဆက်တင်များကို ထိန်းသိမ်းသတ်မှတ်ရမည်ဖြစ်ပြီး အသုံးပြုသူအမည်နှင့် စကားဝှက်တို့ကို မှတ်သားထားရန် တာဝန်ရှိသည်ကို နားလည်ရန်လိုပါသည်။

### **ပြုပြင်ထိန်းသိမ်းခြင်း**

● ကိရိယာ သေချာအလုပ်မလုပ်ပါက အရောင်းဆိုင် သို့မဟုတ် အနီးဆုံး ကြံ့ခိုင်မှုစစ်ဆေးရေး စင်တာသို့ ဆက်သွယ်ပါ။ ခွင့်ပြုချက်မရှိဘဲ ပြင်ဆင်ခြင်း သို့မဟုတ် ထိန်းသိမ်းပြင်ဆင်ခြင်းကြောင့် ဖြစ်ပွားရသည့် မည်သည့်ပြဿနာအတွက်မဆို လုံးဝတာဝန်ယူမည် မဟုတ်ပါ။

● လိုအပ်ပါက စက်ကိရိယာကို အရက်ပြန်အနည်းငယ်သုံး၍ သန့်ရှင်းသောအဝတ်စဖြင့် ညင်သာစွာ သုတ်ပါ။

● ထုတ်လုပ်သူမှ သတ်မှတ်ထားခြင်းမရှိသောပုံစံဖြင့် ကိရိယာကို အသုံးပြုပါက စက်ပစ္စည်းတွင်ပါသော အကာအကွယ်ကို ထိခိုက်စေနိုင်ပါသည်။

### **အသုံးပြုသည့် ပတ်ဝန်းကျင်**

● လည်ပတ်လုပ်ဆောင်နေသော ပတ်ဝန်းကျင်သည် ကိရိယာအတွက် လိုအပ်ချက်များ ပြည့်မီစေရန် လုပ်ဆောင်ပါ။ လည်ပတ်အပူချိန်သည် -20 °C မှ 50 °C အထိ (-4 °F မှ 122 °F အထိ) ရှိရမည်ဖြစ်ပြီး လည်ပတ်လုပ်ဆောင်နေစဉ် စိုထိုင်းဆသည် 5% မှသည် 95% အကြားရှိရမည်။

● မှန်ဘီလူးများကို နေ သို့မဟုတ် တောက်ပသော အလင်းရောင်ရှိရာသို့ မချိန်ပါနှင့်။

● စက်ကို လျှပ်စစ်သံလိုက်အားမြင့်သည့် ဓာတ်ရောင်ခြည်နှင့် မထိတွေ့မိပါစေနှင့်။

## အရေးပေါ်

● ကိရိယာအား ဝါယာချိတ်ဆက်စဉ်၊ တပ်ဆင်စဉ် သို့မဟုတ် ပြန်ဖြုတ်နေစဉ်တွင် ပါဝါသေချာဖြုတ်ထားပါ။

● ကိရိယာမှ မီးခိုးငွေ့၊ ညှော်နံ့ သို့မဟုတ် ဆူညံသံများ ထွက်လာလျှင် ပါဝါ ချက်ချင်းပိတ်၍ ပါဝါကြိုးဖြုတ်ပြီး ဆားဗစ်စင်တာသို့ ဆက်သွယ်ပါ။

## အချိန် ညှိခြင်း

● ဒေသစံတော်ချိန်သည် ကွန်ရက်နှင့် ချိန်ညှိထားခြင်း မရှိပါက ပထမဆုံးအကြိမ်တွင် ကိရိယာ၏ အချိန်ကို ကိုယ်တိုင်ထည့်သွင်းပါ။ ဝက်ဘ်ဘရောက်ဇာ/သုံးစွဲသူ ဆော့ဖ်ဝဲမှတစ်ဆင့် စက်ပစ္စည်းကို ဝင်ရောက်ကြည့်ရှုပြီး အချိန် ဆက်တင်များ အင်တာဖေ့စ်သို့ သွားပါ။

## ထုတ်လုပ်သည့်လိပ်စာ

အခန်း 313၊ ယူနစ် B၊ အဆောကျဦးနံပါတ် 2၊ 399 ဒနျုဖန်းလမ်း၊  
ဖီလေးခရိုင်၊ ဘဂျင်ဂျိုးခရိုင်၊ ဟန့်ဖိုး၊ ဇီဂျိုး 310052၊ တရုတ်နိုင်ငံ  
Hangzhou Microimage Software Co., Ltd.

လိုက်နာမှု သတိပေးချက်။ အပူဆိုင်ရာ အတွဲလိုက် ထုတ်ကုန်များသည် အမေရိကန် ပြည်ထောင်စု၊ ဥရောပ သမဂ္ဂ၊ ယူနိုက်တစ် ကင်းဒမ်း နှင့်/သို့ ဝါဆန်နာ စီမံမှု အဖွဲ့ဝင် နိုင်ငံများ အပါအဝင် ဖြစ်ပြီး ယင်းတို့သာ ဟု ကန့်သတ်ထားပဲ အမျိုးမျိုးသော နိုင်ငံများ သို့မဟုတ် ဒေသများ တွင် ပို့ကုန် ထိန်းချုပ်မှုများကို ကြုံတွေ့ ရနိုင်သည်။ သင့်အနေဖြင့် အပူဆိုင်ရာ အတွဲလိုက် ထုတ်ကုန်များကို မတူညီသော နိုင်ငံများအကြား လွှဲပြောင်းခြင်း၊ တင်ပို့ခြင်း၊ ထပ်မံတင်ပို့ခြင်း လုပ်ရန် ရည်ရွယ်ပါက ပို့ကုန် လိုင်စင် လိုအပ်ချက် တစ်စုံတစ်ရာ လိုအပ်ခြင်းရှိမရှိကို ကျွမ်းကျင်သော ဥပဒေ သို့မဟုတ် စည်းမျဉ်းလိုက်နာမှု ကျွမ်းကျင်သူများ သို့မဟုတ် ဒေသခံအစိုးရ အာဏာပိုင်များနှင့် ကျေးဇူးပြု၍ တိုင်ပင်ပါ။

## 1 Genel Bakış

### 1.1 Kısa Açıklama

Termografik ağ kutusu kamerası (bundan böyle "cihaz" olarak anılacaktır) uzaktan internet gözetimi, video sunucusu ve gerçek zamanlı sıcaklık ölçümü işlevlerini entegre eder.

Tarayıcılar ve istemciler aracılığıyla uzaktan iletim, ön izleme ve yapılandırma gerçekleştirilebilir. Cihaz, yapısal kablolama sistemi olmadan kolayca kurulabilir.

Gıda üretimi, günlük kimya endüstrisi, PCBA testi, araştırma ve diğer alanlarda yaygın olarak kullanılabilir.

### 1.2 Özellikler

Cihaz aşağıdaki özelliklere sahiptir:

- Makro modu.
- Termal görüntüleme.
- Çoklu paletler.
- Görüntü bütünlüğünü sağlayan ve görüntü detaylarını ve efektlerini iyileştiren kalibrasyon.
- Ultra düşük bit hızında yüksek sıkıştırma oranını destekleyen güçlü video sıkıştırma algoritmaları.
- Hızlı ve güvenilir veri aktarım performansına sahip NAS.
- Sıcaklık eşik alarmı ve istemci üzerinde analiz edilebilen diğer sıcaklık ölçüm fonksiyonları.
- TCP/IP, HTTP ve diğer protokoller.
- Uzaktan yükseltme ve bakım.

### 1.3 Bileşen ve Arayüz (Sayfa 1 - A)

Bu görünüm sadece referans içindir. Elinizdeki cihaz önceliklidir.

No.	Bileşen ve Arayüz	Açıklama
1	Termal Lens	Termal görüntüyü gösterir.
2	Mod Arama	Cihazı makro moda veya normal moda geçirin.
3	Odak Çarkı	Odak uzaklığını ayarlayın.



4	1/4-20 UNC Yivli Delik	Vidaları takın.
5	Yerleştirme Deliği	Cihazı adaptör üzerindeki konum pimine hizalamaya yardımcı olur.
6	Ağ Göstergeleri	<ul style="list-style-type: none"> <li>● Flaş: Ağ verilerini iletin.</li> <li>● Sürekli Yanıyor: Ağ ile veri iletimi olmadan bağlantı kurulmuş.</li> </ul>
7	Sıfırlama Düğmesi	Düğmeye 10 sn basıp serbest bırakın. Cihaz fabrika ayarlarına geri yüklenecektir.
8	Topraklama Vidası	Elektrik güvenliğini sağlamak için topraklama terminaline bağlayın.
9	Güç Göstergesi	<ul style="list-style-type: none"> <li>● Sabit Yeşil: Çalışıyor.</li> <li>● Sürekli Kırmızı: Sistem çalışıyor.</li> </ul>
10	Terminal Soketi	10 pimli konektörler içerir.
11	Ağ Arayüzü	RJ-45, ağ iletişimi
12	Ağ Kablosu	Paketteki ağ kablosunu takarken, sabitlemek için kablonun üzerindeki vidaları sıkın.
13	Terminal Bloğu	Terminal bloğunu terminal soketine yerleştirin ve kabloları aşağıdaki tabloda açıklanan pim tanımına göre birleştirin.

## 1.4 Pim Tanımı (Sayfa 2 – B)


No.	Sinyal	Açıklama
1	Güç	12V DC güç girişi. Lütfen pozitif ve negatif terminalleri doğru şekilde bağlayın.  *Cihazı kurduktan sonra cihazı şarj etmek için paket içerisindeki adaptörü kullanabilirsiniz.
2	GND	
3	RS-232_RX	Cihaz hata ayıklaması için RS-232 seri iletişim.
4	RS-232_TX	
5	ALARM_IN	1 Alarm girişi; 2 Alarm çıkışı.
6	ALARM_OUTA	
7	ALARM_OUTB	
8	RS485-	RS-485 seri bağlantı noktası iletişim arayüzü.
9	RS485+	
10	CVBS	Analog video çıkışı.

## 2 Ağ Kamerasını Etkinleştirme ve Erişim

HIKMICRO Studio uygulamasını indirerek yüklemek için [www.hikmicrotech.com](http://www.hikmicrotech.com) adresini ziyaret edin. Ayrıntılı işlem için cihazın kullanım kılavuzuna bakın.

## 3 Kurulum

Cihazı kurmadan önce bu bölümdeki talimatları okuyun.

 **Tehlike:** Personelin ve cihazın güvenliğini sağlamak için cihazı kurarken, fişe takarken veya fişten çekerken tüm gücü kesin.

### 3.1 Ön şartlar

Ambalajdaki cihazın sağlam olduğundan, tüm montaj parçalarının ve kurulumdan önce gerekli parçaların içinde olduğundan emin olun.

- Cihazı kurarken, ortam sıcaklığının  $-20\text{ }^{\circ}\text{C}\sim+50\text{ }^{\circ}\text{C}$  arasında olduğundan ve nem seviyesinin yoğuşma olmadan  $\leq 90\pm 5\%$  olduğundan emin olun.
- Cihaz gövdesi su geçirmez değildir. Cihazı doğrudan güneş ışığına maruz bırakmayın veya cihazı dış ortamlarda bağımsız olarak kurmayın.
- Cihazı ve aksesuarlarını takmak için yeterli alan olduğundan emin olun. Cihazın boyutlarına bakın (Sayfa 2 – C), birim: mm [inç].
- Kurulum sırasında bu kılavuzdaki Güvenlik Talimatlarını yakından takip edin.

### 3.2 Cihazı kurma

Bu bölümde referanslarınız için tripod ve mikroskop standı montaj yöntemleri tanıtılmaktadır. Gerçek senaryolara göre bir kurulum yöntemi seçin.

#### 3.2.1 Tripoda Bağlamak (Sayfa 3 – D)

Cihaz 1/4-20 UNC yivli deliklere sahiptir ve 1/4-20 UNC adaptör aracılığıyla bir tripoda ve diğer sabit senaryolara takılabilir.

##### **Adımlar:**

1. Uygun bir adaptör (②) hazırlayın ve adaptörü cihaz üzerindeki 1/4-20 UNC dişli deliklerinden cihaza (①) sabitlemek için 1/4-20 UNC vida kullanın.
2. Monte edilmiş cihazı ve adaptörü montaj plakasına yerleştirin ve cihazı sabitlemek için tripod üzerindeki serbest bırakma düğmesini (③) kullanın.

#### 3.2.2 Mikroskop Standına Takın (Sayfa 4, 5 – E)

Cihaz 1/4-20 UNC (⑥) yivli deliklere sahiptir ve makro senaryolarda 1/4-20 UNC adaptör aracılığıyla mikroskop standlarına (③) sabitlenebilir.

##### **Adımlar:**

1. Adaptör (②) üzerindeki konumlandırma pimini (①) cihaz üzerindeki konumlandırma deliği (④) ile hizalayın.
2. Cihazı standı sabitlemek için mikroskop standı üzerindeki sabitleme vidasını (⑤) sıkın.
3. Nesne mesafesini ayarlayarak cihaz ile hedef arasındaki

mesafenin 4,3 cm olduğundan emin olun.

4. Mod çarkını Makro moda (7) çevirin, ardından iki konumlandırma pimini (8) hizalamak için odak çarkını çevirin (9).

## 4 Kullanıcı Kılavuzu (Sayfa 4 – F)

### 5 Teknik Destek

<https://www.hikmicrotech.com/en/contact-us.html> portalı, bir HIKMICRO müşterisi olarak HIKMICRO ürünlerinizden en iyi şekilde yararlanmanıza yardımcı olacaktır. Portal, destek ekibimize, yazılım ve belgelere, hizmet bağlantılarına vb. erişmenizi sağlar.

### Mevzuata Uygunluk ve Güvenlik Bilgileri

Cihazı kullanmaya başlamadan önce bu belgedeki tüm bilgi ve talimatları dikkatlice okuyun ve daha sonra başvurmak üzere saklayın.

Cihazla ilgili bilgi ve talimatlar için lütfen web sayfamızı

<https://www.hikmicrotech.com> ziyaret edin. Ayrıca daha fazla bilgi edinmek için (varsa) cihazla birlikte gelen belgelere bakabilir veya (varsa) paket üzerindeki QR kodunu tarayabilirsiniz.

### YASAL UYARI

YÜRÜRLÜKTEKİ YASALARIN İZİN VERDİĞİ AZAMI ÖLÇÜDE, BU KILAVUZ VE AÇIKLANAN ÜRÜN, DONANIMI, YAZILIMI VE ÜRÜN YAZILIMI İLE "OLDUĞU GİBİ" VE "TÜM ARIZALAR VE HATALAR İLE" SAĞLANIR. HIKMICRO, SINIRLAMA, SATILABİLİRLİK, KALİTE MEMNUNİYETİ VEYA BELİRLİ BİR AMACA UYGUNLUK DAHİL, AÇIK VEYA ZİMNİ HİÇBİR GARANTİ VERMEZ. ÜRÜNÜN SİZİN TARAFINIZDAN KULLANILMASIYLA İLGİLİ TÜM RİSKLER TARAFINIZA AİTTİR. HIKMICRO HİÇBİR DURUMDA, BU ÜRÜNÜN KULLANIMI İLE BAĞLANTILI OLARAK, HIKMICRO BU TÜR HASARLARIN OLASILIĞI HAKKINDA BİLGİLENDİRİLMİŞ OLSA BİLE, İŞ KARLARININ KAYBI, İŞ KESİNTİSİ, VERİ KAYBI, SİSTEM KESİNTİSİ, BELGE KAYBI, SÖZLEŞMENİN İHLALİ (İHMAL DAHİL), ÜRÜN SORUMLULUĞU GİBİ ZARARLAR DA DAHİL OLMAK ÜZERE, ÖZEL, SONUÇSAL, TESADÜFİ VEYA DOLAYLI ZARARLAR İÇİN SİZE KARŞI SORUMLU OLMAYACAKTIR.

HIKMICRO'NUN, İNTERNETİNİN DOĞAL GÜVENLİK RİSKLERİNİN

GETİRDİĞİ SİBER SALDIRI, HACKER SALDIRISI, HACKER SALDIRISI, VİRÜS BULAŞMASINDAN KAYNAKLANAN ANORMAL ÇALIŞMA, GİZLİLİK SIZINTISI VEYA DİĞER ZARARLARDAN HERHANGİ BİR SORUMLULUK ALMAYACAĞINI KABUL EDİYORSUNUZ; ANCAK HIKMICRO, GEREKİRSE ZAMANINDA TEKNİK DESTEK SAĞLAYACAKTIR.

BU ÜRÜNÜ YÜRÜRLÜKTEKİ TÜM YASALARA UYGUN OLARAK KULLANMAYI KABUL EDERSİNİZ VE KULLANIMINIZIN YÜRÜRLÜKTEKİ YASAYA UYGUN OLMASI SORUMLULUĞU TAMAMEN SİZE AİTTİR. ÖZELLİKLE, BU ÜRÜNÜ, SINIRLAMA OLMAKSIZIN, TANITIM HAKLARI, FİKRİ MÜLKİYET HAKLARI VEYA VERİ KORUMA VE DİĞER GİZLİLİK HAKLARI DA DAHİL OLMAK ÜZERE ÜÇÜNCÜ TARAFLARIN HAKLARINI İHLAL ETMEYECEK ŞEKİLDE KULLANMAKTAN SİZ SORUMLUSUNUZ. BU ÜRÜNÜ, TOPLU İMHA SİLAHLARININ GELİŞTİRİLMESİ VEYA ÜRETİMİ, KİMYASAL YA DA BİYOLOJİK SİLAHLARIN GELİŞTİRİLMESİ VEYA ÜRETİMİ, HERHANGİ BİR NÜKLEER PATLAYICI YA DA GÜVENİLİR OLMAYAN NÜKLEER YAKIT DÖNGÜSÜ VEYA İNSAN HAKLARI İHLALLERİNİN DESTEKLENMESİ DAHİL HİÇBİR YASAKLANMIŞ SON KULLANIM İÇİN KULLANMAYACAKSINIZ.

BU KILAVUZ İLE İLGİLİ YASA ARASINDA HERHANGİ BİR ÇELİŞKİ OLMASI DURUMUNDA, İKİNCİSİ GEÇERLİDİR.

## **Mevzuat Bilgisi**

**Bu maddeler, yalnızca ilgili işarete veya bilgiye sahip ürünler için geçerlidir.**

## **AB Uygunluk Beyanı**

**CE** Bu ürün ve (varsa) verilen aksesuarlar da "CE" ile işaretlenmiştir ve bu nedenle 2014/30/EU (EMCD) Direktifi ve 2011/65/EU (RoHS) Direktifinde listelenen ilgili uyumlaştırılmış Avrupa standartlarına uygundur.

Not: Giriş voltajı 50 ila 1000 VAC veya 75 ila 1500 VDC arasında olan ürünler, 2014/35/EU (LVD) Direktifine, geri kalan ürünler de 2001/95/EC (GPSD) Direktifine uygundur. Referans olması için lütfen ilgili güç kaynağı bilgilerini kontrol edin.

Uyarı: Bu, A sınıfı bir üründür. Ev ortamında bu ürün radyo

parazitine neden olabilir, bu durumda kullanıcının uygun önlemleri alması gerekebilir.



2012/19/EU (WEEE direktifi): Bu sembolle işaretlenmiş ürünler, Avrupa Birliği'nde ayrıştırılmamış belediye atığı olarak bertaraf edilemez. Doğru geri dönüşüm için, eşdeğer yeni ekipman satın aldıktan sonra bu ürünü yerel tedarikçinize iade edin veya belirtilen toplama noktalarında imha edin. Daha fazla bilgi için bkz: [www.recyclethis.info](http://www.recyclethis.info)



2006/66/EC ve değişiklik 2013/56/AB (batarya direktifi): Bu ürün, Avrupa Birliği'nde ayrıştırılmamış belediye atığı olarak imha edilemeyen bir pil içermektedir. Pile özel bilgi edinmek için ürün belgelerine bakın. Pil, kadmiyum (Cd), kurşun (Pb) veya cıva (Hg) elementlerini gösteren harflerin de yer alabildiği bu sembolle işaretlenmiştir. Doğru bir geri dönüşüm için pili tedarikçinize veya belirlenmiş toplama noktasına geri götürün. Daha fazla bilgi için bkz: [www.recyclethis.info](http://www.recyclethis.info).

## Güvenlik Talimatları

Bu talimatlar ile tehlikeleri veya mal kayıplarını önlemek için kullanıcının ürünü doğru şekilde kullanabilmesinin sağlanması amaçlanmıştır. Ekipmanı kullanmaya başlamadan önce lütfen tüm güvenlik bilgilerini okuyun.

## Yasalar ve Yönetmelikler

Cihaz yerel yasalara, elektrik güvenliği yönetmeliklerine ve yangın önleme yönetmeliklerine uygun şekilde kullanılmalıdır.

## Ulaşım

- Cihazı taşıırken orijinal ambalajının veya benzer bir ambalajın içerisine koyun.
- Ürünü düşürmeyin veya fiziksel darbeye maruz bırakmayın. Cihazı manyetik parazitten uzak tutun.

## Elektrik Güvenliği

- DİKKAT: Cihazın sigortası değiştirilebiliyorsa, yangın veya elektrik çarpması riskini azaltmak için sadece aynı modelle değiştirin.
- Sigorta, nötr kabloya bağlıysa ve çift kutup/nötr sigorta

oluşursa sigortanın çalıştırılmasından sonra cihazın elektrik barındıran kısımları servis sırasında tehlike oluşturabilir.

- Cihaz topraklı bir şebeke priz çıkışına takılmalıdır.
- Priz çıkışı, ekipmanın yakınına monte edilmeli ve kolayca erişilebilir olmalıdır.
- Cihaz kapatıldıktan sonra da elektrik olabileceğinden, çıplak bileşenlere (girişlerin metal temas noktaları gibi) dokunmayın ve en az 5 dakika bekleyin.
- Cihaz, güç kablosuna bağlı terminallerden besleniyorsa, şebeke kaynağına bağlantı için doğru voltaj ve terminal kablolarının olduğundan emin olun.

## **Pil**

Uyarı:

- Ürün veya pili ıslatmayın ya da suya maruz bırakmayın.
- Ürünü, patlamaya veya yanıcı sıvı veya gaz sızıntısına neden olabilecek ateş veya çalışır durumdaki fırın gibi aşırı yüksek sıcak ortamlara maruz bırakmayın.
- Ürünü ısıtılmış kaplara, çamaşır makinelerine veya basınçlı kaplara maruz bırakmayın.
- Ürün kurulum ortamı belirtilen sıcaklık ve nem aralığında olmalı, doğrudan güneşe maruz kalmamalı ve engel veya yanıcı maddeler ile çevrili olmamalı, aksi halde tehlike oluşabilir.
- Ürünü, patlamaya, yanıcı sıvı veya gaz sızıntısına neden olabilecek aşırı düşük hava basıncına maruz bırakmayın.

Depolama:

- Pil, depoda veya ışığın ve suyun bulunmadığı başka bir bina içi ortamda saklanmalıdır. Pili doğrudan güneş ışığına veya yağmur ya da suya maruz kalacağı alanlara lütfen yerleştirmeyin.
- Pil depolama sıcaklığı gereksinimi: 10 °C ila 30 °C.
- Pil depolama bağıl nem gerekliliği:  $\leq 60$  BN.

İşletim ve Kullanım:

- Uyarı: Cihaz, profesyonel yardım olmadan demonte edilmemesi, değiştirilmemesi veya modifiye edilmemesi gereken dahili piller içerir. Aksi halde, patlama, yangın veya kimyasal aşınma tehlikesi vardır.
- Uyarı: Pil sıkılmamalı, delinmemeli, vurulmamalı, mekanik darbe almamalı veya demonte edilmemelidir. Pilin zarar görmesi ısı,

yangın veya patlamaya sebep olabilir.

● Uyarı: Pilin zarar görmesi durumunda, deęişim için lütfen satış sonrası servisi ile irtibata geçin. Bileşeni kendi başınıza tamir etmeyin veya deęiştirmeyin.

● Lütfen belirlenmiş sıcaklık aralığında şarj ve deşarj edin ve şarj sırasında etrafında hiçbir muhafaza veya yanıcı malzeme olmamalıdır, aksi halde tehlike oluşabilir.

● Pil, kısmen şarj edilmiş olarak sevk edilmelidir.

● Pili kontrol ederken, koruyucu gözlükler ve eldivenler giyilmelidir.

● Eğer pil sızdırırsa ve sıvı deri veya gözlere gelirse en kısa sürede temiz su ile durulayın ve acilen doktora başvurun.

● Eğer pil alev alırsa köpüklü yangın söndürücü, kuru toz yangın söndürücü veya yangın söndürme kumu kullanarak ateşi söndürün.

● Orijinal veya belirtilmiş pil şarj cihazı kullanın. Yanlış şarj yöntemleri ve şarj cihazları pile zarar verebilir ve alev almasına veya diğer sorunlara sebep olabilir.

● Pili arızalı şarj cihazı ile şarj etmeyin.

● Belirtilen şarj süresine ulaşıncaya kadar lütfen şarj etmeyin. Aksi halde pil ısınabilir, patlayabilir veya alev alabilir.

Atık Pili Atma Gereksinimleri:

● Piller zehirli ve tehlikelidir. Atık pilleri yürürlükteki ulusal yasa, yönetmelik ve standartlara uygun olarak atın.

### **Yangın Önleme**

● Cihazın üzerine yanan mum gibi açık alev kaynakları konulmamalıdır.

● Havalandırma açıklıklarına sahip cihaz için havalandırma açıklıkları gazete, masa örtüsü veya perde gibi nesnelere kapatılarak havalandırma açıklıkları engellenmemelidir. Açıklıklar, hiçbir zaman cihazın yatak, koltuk, halı veya benzer bir yüzeye yerleştirilmesiyle engellenmemelidir.

### **Sıcak Yüzey**



● DİKKAT: Sıcak parçalar! Dokunmayın. Parçaları tutduğunuzda parmaklarınız yanabilir. Kapattıktan sonra parçaları tutmadan



önce bir buçuk saat bekleyin.

### **Güç Kaynağı**

- Giriş voltajı, IEC62368 standardına göre Sınırlı Güç Kaynağını (12 VDC) karşılamalıdır. Ayrıntılı bilgi için lütfen teknik özelliklere bakın.
- Fişin elektrik prizine düzgün şekilde takıldığından emin olun.
- Aşırı yükten kaynaklı aşırı ısınmayı veya yangın tehlikelerini önlemek için bir güç kaynağına birden fazla cihaz TAKMAYIN.
- + simgesi kullanılan veya doğru akım üreten ekipmanın pozitif terminallerini belirtir. - simgesi kullanılan veya doğru akım üreten ekipmanın negatif terminallerini belirtir.

### **Montaj**

- Cihazı bu kılavuzdaki talimatlara göre kurun.
- Bu cihaz yaralanmayı önlemek için, kurulum talimatlarına uygun olarak kurulum yüzeyine güvenli bir şekilde bağlanmalıdır.
- Ekipmanı asla sağlam olmayan bir yere yerleştirmeyin. Ekipmanın düşmesi ciddi fiziksel yaralanmalara veya ölüme neden olabilir.
- Bu ekipman çocukların olma ihtimalinin bulunduğu yerlerde kullanım için uygun değildir.
- Bu ekipman sadece ilgili braketler ile kullanım içindir. Başka araçlarla (el arabaları, stantlar veya taşıyıcılar) kullanılması, yaralanmaya neden olabilecek dengesizliğe yol açabilir.

### **Sistem Güvenliği**

- Cihazla ilgili tüm parolaları ve diğer güvenlik ayarlarını yapılandırma ve kullanıcı adınızı ve parolanızı koruma sorumluluğunun sizde olduğunu unutmayın.

### **Bakım**

- Ürün düzgün şekilde çalışmıyorsa lütfen bayiinizle veya en yakın servis merkeziyle iletişime geçin. Yetkisiz onarım veya bakımdan kaynaklanan sorunlar için herhangi bir sorumluluk kabul etmeyiz.
- Cihazı temiz bir bez ve gerekirse az miktarda etanol ile hafifçe silin.
- Ekipman, üretici tarafından belirtilmeyen bir şekilde kullanılırsa cihaz tarafından sağlanan koruma bozulabilir.

### **Kullanma Ortamı**

- Çalışma ortamının cihazın gereksinimlerini karşıladığından emin olun. Çalışma sıcaklığı -20 °C ila 50 °C (-4 °F ila 122 °F) ve çalışma nem oranı %5 ila %95 olmalıdır.
- Lensi, güneşe veya herhangi bir parlak ışığa doğru tutmayın.
- Cihazı yüksek elektromanyetik radyasyona MARUZ BIRAKMAYIN.

### **Acil Durum**

- Cihazı bağlamadan, kurmadan veya sökmeden önce gücün kesildiğinden emin olun.
- Cihazdan duman, koku veya ses geliyorsa hemen gücü kapatarak güç kablosunun bağlantısını kesin ve servis merkeziyle iletişime geçin.

### **Saat Senkronizasyonu**

- Yerel saat, aġın saatiyle senkronize deęilse cihaz saatini ilk kez erişimde manuel olarak ayarlayın. Web tarayıcı/istemci yazılımı ile cihaza giderek zaman ayarları arayüzüne girin.

### **Üretim Adresi**

Oda 313, Birim B, Bina 2, 399 Danfeng Caddesi, Xixing Nahiyesi, Binjiang Bölgesi, Hangzhou, Zhejiang 310052, Çin  
Hangzhou Microimage Software Co., Ltd.

**UYGUNLUK BİLDİRİMİ:** Termal serisi ürünler, sınırlama olmaksızın Amerika Birleşik Devletleri, Avrupa Birliği, Birleşik Krallık ve / veya Wassenaar Düzenlemesinin diğer üye ülkeleri dahil olmak üzere çeşitli ülke veya bölgelerde ihracat kontrollerine tabi olabilir. Termal serisi ürünleri farklı ülkeler arasında transfer etmeyi, ihraç etmeyi veya yeniden ihraç etmeyi düşünüyorsanız, lütfen gerekli ihracat lisansı gereklilikleri için profesyonel hukuk veya uyum uzmanınıza veya yerel hükümet yetkililerine danışın.

## **1 Обзор**

### **1.1. Краткое описание**

Сетевая термографическая корпусная камера (далее — устройство) представляет собой устройство с функцией измерения температуры в реальном времени, состоящее из системы дистанционного видеонаблюдения через Интернет и видеосервера.

Дистанционная передача данных, предварительный просмотр и конфигурирование могут осуществляться посредством браузеров и клиентов. Это устройство легко устанавливается без структурированной кабельной сети.

Оно может широко использоваться при производстве продуктов питания и химической продукции для повседневного применения, тестировании печатных плат, в исследованиях и других областях.

### **1.2 Функции**

В устройстве предусмотрены следующие функции:

- Макрорежим.
- Тепловизионное изображение.
- Несколько палитр.
- Калибровка, обеспечивающая равномерность изображения и улучшающая его детализацию и эффекты.
- Мощные алгоритмы сжатия видео , поддерживающие высокий уровень сжатия при сверхнизком битрейте.
- NAS для быстрой и надежной передачи данных.
- Сигнал тревоги о пороговом температурном значении и другие функции измерения температуры, которые предоставляются клиенту для анализа.
- TCP/IP, HTTP и другие протоколы.
- Удаленные обновление и обслуживание

### **1.3 Компонент и интерфейс (страница 1 – А)**

Изображение приведено только для справки.

Руководствуйтесь в первую очередь фактической конструкцией устройства.

№	Компоненты и интерфейс	Описание
1	Тепловизионный объектив	Просмотр тепловизионного изображения.
2	Регулятор режима	Включение режима макросъемки или обычного режима на устройстве.
3	Колесико фокусировки	Настройка фокусного расстояния.
4	Отверстие 1/4-20 UNC	Для установочных винтов.
5	Установочное отверстие	Для совмещения устройства с установочной шпилькой на адаптере.
6	Сетевые индикаторы	<ul style="list-style-type: none"> <li>● Мигает: передача данных по сети.</li> <li>● Светится постоянно: подключение к сети без передачи данных.</li> </ul>
7	Кнопка сброса	Нажмите кнопку на 10 с и отпустите, чтобы вернуть заводские настройки устройства.
8	Винт заземления	Для подключения к соединителю

		заземления для обеспечения электробезопасности.
9	Индикатор питания	<ul style="list-style-type: none"> <li>● Постоянно светится зеленым: Условия эксплуатации.</li> <li>● Постоянно светится красным: Система работает.</li> </ul>
10	Клеммный сокет	10 соединительных контактов.
11	Сетевой интерфейс	RJ-45, обмен данными по сети
12	Сетевой кабель	При подключении сетевого кабеля, входящего в комплект поставки, затяните винты на кабеле, чтобы закрепить его.
13	Клеммная колодка	Вставьте клеммную колодку в клеммный сокет и соедините провода в соответствии с определением контактов, приведенным в следующей таблице.

#### 1.4 Определение контактов (страница 2 – В)

№	Сигнал	Описание
---	--------	----------


1	Питание	Вход питания 12 В пост. тока. Соблюдайте полярность клемм.  * После установки устройства вы сможете использовать для его зарядки адаптер из комплекта поставки.
2	ЗАЗЕМЛ.	
3	RS-232_RX	Последовательное подключение RS-232 для отладки устройства.
4	RS-232_TX	
5	ВХОД СИГНАЛА ТРЕВОГИ	1 вход сигнала тревоги, 2: выходы сигнала тревоги.
6	ВЫХОД СИГНАЛА ТРЕВОГИ А	
7	ВЫХОД СИГНАЛА ТРЕВОГИ В	
8	RS485-	Интерфейс связи: последовательный порт RS-485.
9	RS485+	
10	CVBS	Аналоговый видеовыход.

## 2 Активация сетевой камеры и получение доступа к ней

Посетите [www.hikmicrotech.com](http://www.hikmicrotech.com), чтобы загрузить и установить HIKMICRO Studio. Подробную информацию см. в руководстве пользователя устройства.

## 3. Монтаж

Перед установкой устройства прочитайте инструкции в этом разделе.

 **Опасности:** Чтобы обеспечить безопасность персонала и устройства, полностью отключайте питание при его

установке, подключении или отключении.

### **3.1 Предварительные условия**

Убедитесь, что устройство в упаковке находится в исправном состоянии, а комплект поставки полон; подготовьте необходимые детали перед установкой.

- Допустимая температура окружающей среды при установке от -20 °C до 50 °C, уровень влажности  $\leq 90\%$   $\pm 5\%$  без образования конденсата.
- Устройство не является водонепроницаемым. Не подвергайте устройство воздействию прямых солнечных лучей и не устанавливайте его на открытом воздухе.
- Убедитесь в наличии достаточного места для установки устройства и аксессуаров. См. размеры (страница 2 – C) устройства, unit: mm [inch].
- При установке устройства строго следуйте инструкциям по технике безопасности из этого руководства.

### **3.2 Установка устройства**

В этом разделе приведены способы крепления на штатив и на стойку микроскопа. Выберите способ установки, основываясь на реальных параметрах.

#### **3.2.1 Крепление на штатив (страница 3 – D)**

На устройстве предусмотрены отверстия 1/4-20 UNC для крепления его на штатив и другие стационарные объекты с помощью адаптера 1/4-20 UNC.

##### ***Порядок действий:***

1. Выберите подходящий адаптер (②) и прикрепите его к устройству винтами 1/4-20 UNC (①), ввинтив их в отверстия 1/4-20 UNC на устройстве.
2. Положите устройство с адаптером на монтажный стол и с помощью крепежной ручки (③) зафиксируйте на штативе.

#### **3.2.2 Крепление на стойку микроскопа (страница 4, 5 – E)**

Устройство имеет резьбовые отверстия 1/4-20 UNC (⑥), которые позволяют устанавливать его на стойку микроскопа (③) с помощью адаптера 1/4-20 UNC, когда требуется макросъемка.

### **Порядок действий:**

1. Совместите установочную шпильку (①) на адаптере (②) с установочным отверстием (④) на устройстве.
2. Затяните фиксирующие винты (⑤) на стойке микроскопа, чтобы закрепить устройство на ней.
3. Отрегулируйте расстояние до объекта. Расстояние между устройством и целью должно составлять 4,3 см.
4. Поверните регулятор, чтобы выбрать режим макросъемки (⑦), затем поверните колесико фокусировки (⑧), выровняв два фиксирующих штифта (⑨).

## **4 Руководство пользователя (страница 4 – F)**

### **5 Техническая поддержка**

Портал <https://www.hikmicrotech.com/en/contact-us.html> помогает клиентам максимально эффективно использовать изделия HIKMICRO. На этом портале можно обратиться в службу технической поддержки и получить доступ к программному обеспечению, документации, договорам на сервисное обслуживание и т. д.

### **Соответствие нормативным требованиям и инструкции по технике безопасности**

Перед использованием устройства внимательно прочтите всю информацию и указания, содержащиеся в данном документе, и сохраните его для дальнейшего использования.

Для получения дополнительных инструкций или информации об устройстве, посетите наш сайт <https://www.hikmicrotech.com>. Для получения дополнительной информации вы также можете обратиться к другим прилагаемым к устройству документам (при их наличии) или отсканировать QR-код на упаковке (при его наличии).

### **ЗАЯВЛЕНИЕ ОБ ОГРАНИЧЕНИИ ОТВЕТСТВЕННОСТИ**

В МАКСИМАЛЬНОЙ СТЕПЕНИ, РАЗРЕШЕННОЙ  
ДЕЙСТВУЮЩИМ ЗАКОНОДАТЕЛЬСТВОМ, ДАННОЕ  
РУКОВОДСТВО И ОПИСАНИЕ ИЗДЕЛИЯ ВМЕСТЕ С



АППАРАТНОЙ ЧАСТЬЮ, ПРОГРАММНЫМ ОБЕСПЕЧЕНИЕМ И ВСТРОЕННОЙ МИКРОПРОГРАММОЙ ПРЕДОСТАВЛЯЕТСЯ ПО ПРИНЦИПУ «КАК ЕСТЬ» И «СО ВСЕМИ НЕПОЛАДКАМИ И ОШИБКАМИ». НИКМІСRO НЕ ДАЕТ НИКАКИХ ЯВНЫХ ИЛИ ПОДРАЗУМЕВАЕМЫХ ГАРАНТИЙ, В ТОМ ЧИСЛЕ ГАРАНТИЙ ТОВАРНОЙ ПРИГОДНОСТИ, УДОВЛЕТВОРИТЕЛЬНОГО КАЧЕСТВА ИЛИ ПРИГОДНОСТИ ДЛЯ КОНКРЕТНЫХ ЦЕЛЕЙ. ПОТРЕБИТЕЛЬ ИСПОЛЬЗУЕТ ИЗДЕЛИЕ НА СВОЙ СТРАХ И РИСК. НИ ПРИ КАКИХ ОБСТОЯТЕЛЬСТВАХ КОМПАНИЯ НИКМІСRO НЕ НЕСЕТ ОТВЕТСТВЕННОСТИ ПЕРЕД ПОТРЕБИТЕЛЕМ ЗА КАКОЙ-ЛИБО СЛУЧАЙНЫЙ ИЛИ КОСВЕННЫЙ УЩЕРБ, ВКЛЮЧАЯ, СРЕДИ ПРОЧЕГО, УБЫТКИ ИЗ-ЗА ПОТЕРИ ПРИБЫЛИ, ПЕРЕРЫВОВ В ДЕЯТЕЛЬНОСТИ, ПОТЕРИ ДАННЫХ ИЛИ ДОКУМЕНТАЦИИ, ПОВРЕЖДЕНИЯ СИСТЕМ, БУДЬ ТО ПО ПРИЧИНЕ НАРУШЕНИЯ ДОГОВОРА, ПРОТИВОПРАВНЫХ ДЕЙСТВИЙ (В ТОМ ЧИСЛЕ ХАЛАТНОСТИ), УЩЕРБА ВСЛЕДСТВИЕ ИСПОЛЬЗОВАНИЯ ИЗДЕЛИЯ ИЛИ ИНОГО В СВЯЗИ С ИСПОЛЬЗОВАНИЕМ ДАННОГО ИЗДЕЛИЯ, ДАЖЕ ЕСЛИ КОМПАНИИ НИКМІСRO БЫЛО ИЗВЕСТНО О ВОЗМОЖНОСТИ ТАКОГО УЩЕРБА. ПОТРЕБИТЕЛЬ ОСОЗНАЕТ, ЧТО ИНТЕРНЕТ ПО СВОЕЙ ПРИРОДЕ ЯВЛЯЕТСЯ ИСТОЧНИКОМ ПОВЫШЕННОГО РИСКА БЕЗОПАСНОСТИ И КОМПАНИЯ НИКМІСRO НЕ НЕСЕТ ОТВЕТСТВЕННОСТИ ЗА СБОИ В РАБОТЕ ОБОРУДОВАНИЯ, УТЕЧКУ ИНФОРМАЦИИ И ДРУГОЙ УЩЕРБ, ВЫЗВАННЫЙ КИБЕРАТАКАМИ, ХАКЕРАМИ, ВИРУСАМИ ИЛИ СЕТЕВЫМИ УГРОЗАМИ; ОДНАКО НАША КОМПАНИЯ ОБЕСПЕЧИВАЕТ СВОЕВРЕМЕННУЮ ТЕХНИЧЕСКУЮ ПОДДЕРЖКУ, ЕСЛИ ЭТО НЕОБХОДИМО. ПОТРЕБИТЕЛЬ СОГЛАШАЕТСЯ ИСПОЛЬЗОВАТЬ ДАННОЕ ИЗДЕЛИЕ В СООТВЕТСТВИИ СО ВСЕМИ ПРИМЕНИМЫМИ ЗАКОНАМИ И НЕСЕТ ЛИЧНУЮ ОТВЕТСТВЕННОСТЬ ЗА ИХ СОБЛЮДЕНИЕ. ПРИ ИСПОЛЬЗОВАНИИ ИЗДЕЛИЯ ПОТРЕБИТЕЛЬ НЕСЕТ ОТВЕТСТВЕННОСТЬ ЗА СОБЛЮДЕНИЕ ПРАВ ТРЕТЬИХ СТОРОН, В ТОМ ЧИСЛЕ ПРАВ НА ПУБЛИЧНОСТЬ, ИНТЕЛЛЕКТУАЛЬНУЮ СОБСТВЕННОСТЬ, ЗАЩИТУ ДАННЫХ И ИНЫХ ПРАВ НА

НЕПРИКОСНОВЕННОСТЬ ЧАСТНОЙ ЖИЗНИ. ПОТРЕБИТЕЛЬ ОБЯЗУЕТСЯ НЕ ИСПОЛЬЗОВАТЬ ЭТО ИЗДЕЛИЕ В ЗАПРЕЩЕННЫХ ЦЕЛЯХ, В ТОМ ЧИСЛЕ ДЛЯ РАЗРАБОТКИ ИЛИ ПРОИЗВОДСТВА ОРУЖИЯ МАССОВОГО УНИЧТОЖЕНИЯ, ХИМИЧЕСКОГО ИЛИ БИОЛОГИЧЕСКОГО ОРУЖИЯ, ОСУЩЕСТВЛЕНИЯ КАКОЙ-ЛИБО ДЕЯТЕЛЬНОСТИ В КОНТЕКСТЕ ЯДЕРНОГО ОРУЖИЯ, НЕБЕЗОПАСНЫХ ОПЕРАЦИЙ С ЯДЕРНЫМ ТОПЛИВОМ ИЛИ ДЛЯ ПОДДЕРЖКИ НАРУШЕНИЙ ПРАВ ЧЕЛОВЕКА.

В СЛУЧАЕ РАЗНОЧТЕНИЙ МЕЖДУ НАСТОЯЩИМ РУКОВОДСТВОМ И ДЕЙСТВУЮЩИМ ЗАКОНОДАТЕЛЬСТВОМ, ПОСЛЕДНЕЕ ИМЕЕТ ПРИОРИТЕТ.

### **Нормативная информация**

---

**Данные положения применяются только в том случае, если изделие снабжено соответствующей отметкой или информацией.**

---

### **Декларация соответствия EU**



Настоящее изделие и аксессуары в комплекте поставки (при наличии таковых) отмечены символом «СЕ», который обозначает их

соответствие применимым согласованным европейским стандартам, перечисленным в Директиве 2014/30/EU(EMCD) и Директиве 2011/65/EU(RoHS).

Примечание. На изделия с входным напряжением 50–1000 В переменного тока или 75–1500 В постоянного тока распространяется Директива 2014/35/EU (LVD), а на все остальные изделия – Директива 2001/95/EC (GPSD). См. характеристики конкретного источника питания.

Предупреждение: Данное оборудование относится к классу А. При использовании в бытовых целях данное оборудование может вызвать радиопомехи. В этом случае пользователю может потребоваться предпринять адекватные меры по их устранению.



**ДИРЕКТИВА WEEE 2012/19/ЕС** (по утилизации отходов электрического и электронного оборудования): На территории ЕС запрещается утилизировать изделия с этой маркировкой как

несортируемые бытовые отходы. Для надлежащей переработки следует передать это изделие местному поставщику после приобретения аналогичного нового оборудования либо доставить изделие в надлежащий пункт сбора отходов. Для получения дополнительной информации посетите веб-сайт [www.recyclethis.info](http://www.recyclethis.info)



**Директива 2006/66/ЕС и поправка к ней 2013/56/EU** (сведения о батарее): Это изделие содержит батарею, которую запрещено утилизировать в

Европейском союзе в качестве несоортированных бытовых отходов. Информацию о конкретной батарее см. в документации изделия. Маркировка батареи может включать в себя символы, которые обозначают ее химический состав: кадмий (Cd), свинец (Pb) или ртуть (Hg). Для надлежащей утилизации отправьте батарею местному поставщику или утилизируйте ее в специальных пунктах приема отходов. Для получения дополнительной информации посетите сайт [www.recyclethis.info](http://www.recyclethis.info)

### **Инструкции по безопасности**

Настоящие инструкции предназначены для того, чтобы пользователь мог правильно использовать устройство, чтобы избежать опасности или потери имущества. Перед использованием внимательно ознакомьтесь с информацией по технике безопасности.

### **Законодательные акты и нормативные документы**

При использовании этого устройства необходимо соблюдать местное законодательство, правила безопасной эксплуатации электрооборудования и правила противопожарной безопасности.

### **Транспортировка**

- Используйте оригинальную или схожую упаковку для транспортировки устройства.
- Не роняйте и не ударяйте устройство. Устройство

необходимо размещать вдали от источников электромагнитных помех.

### **Электробезопасность**

- **ОСТОРОЖНО!** Если устройство допускает замену предохранителей, используйте для замены компоненты той же модели, чтобы снизить риск пожара или поражения электрическим током.
- Если предохранитель подсоединен к нулевому проводу и возникает ситуация с двумя полюсами/предохранителем в цепи нейтрали, после перегорания предохранителя детали устройства, которые остаются под напряжением, могут представлять опасность во время техобслуживания.
- Устройство должно быть подключено к заземленной сетевой розетке.
- Сетевая розетка должна находиться рядом с устройством и должна быть легко доступна.
- Не прикасайтесь к неизолированным компонентам (таким как металлические входные контакты) и подождите не менее 5 минут после выключения устройства, пока не разрядятся все электрические конденсаторы.
- Если клеммы питания устройства подключены к шнуру питания, проверьте номинал напряжения и корректность разводки клемм перед подключением к электросети.

### **Батарея**

Предупреждение:

- Не подвергайте изделие или батарею воздействию воды.
- Не подвергайте изделие воздействию источников высокой температуры, таких как открытое пламя или нагревательные печи, так как это может привести к взрыву и/или утечке легковоспламеняющейся жидкости или газа.
- Не используйте изделие вблизи горячих баков, стиральных машин или сосудов высокого давления.
- Во избежание опасности необходимо, чтобы среда, в которой устанавливается изделие, соответствовала требованиям к указанному диапазону температуры и влажности. В месте установки должны отсутствовать прямые солнечные лучи, легковоспламеняющиеся вещества

и экраны, затрудняющие вентиляцию.

● Не используйте изделие в среде с чрезвычайно низким давлением воздуха, так как это может привести к взрыву и/или к утечке горючей жидкости или газа.

Хранение:

● Батарею следует хранить на складе или в аналогичном темном и сухом помещении. Не храните батарею в местах, где она может подвергаться воздействию прямых солнечных лучей, дождя и влаги.

● Требования к температуре хранения батареи: от 10 до 30 °С.

● Требования к относительной влажности в месте хранения батареи:  $\leq 60\%$ .

Эксплуатация:

● Предупреждение: Устройство содержит встроенные батареи, которые не следует разбирать, модифицировать или заменять без помощи профессионального персонала. В противном случае возникает риск взрыва, пожара или химической коррозии.

● Предупреждение: Запрещается разбирать, сжимать и прокалывать батарею, а также подвергать ее ударам и другим механическим воздействиям. Если батарея повреждена, это может привести к перегреву оборудования, пожару и/или взрыву.

● Предупреждение: При обнаружении повреждения батареи обратитесь в отдел послепродажного обслуживания для замены. Не ремонтируйте и не заменяйте этот компонент самостоятельно.

● Во избежание опасности заряжайте и разряжайте батарею в указанном диапазоне температур. Во время зарядки не закрывайте батарею экранами, препятствующими вентиляции, и удалите все легковоспламеняющиеся материалы.

● Батарея поставляется в частично заряженном состоянии.

● При проверке батареи следует надевать защитные очки и перчатки.

● Если электролит из батареи протечет и попадает на кожу

или в глаза, как можно скорее промойте пострадавший участок чистой водой и немедленно обратитесь за медицинской помощью.

- Если батарея воспламенится, используйте для тушения пожара пенный/порошковый огнетушитель или пожарный песок.

- Используйте только оригинальное или рекомендуемое зарядное устройство. Недопустимые способы зарядки и зарядные устройства могут повредить батарею и вызвать пожар или другие проблемы.

- Не используйте для зарядки батареи неисправное зарядное устройство.

- Прекратите зарядку по истечении указанного времени зарядки, так как в противном случае батарея может перегреться, воспламениться и/или взорваться.

Требования к утилизации отработанной батареи:

- Батареи токсичны и опасны. Утилизируйте отработанные батареи в соответствии с применимыми национальными законами, правилами и стандартами.

### **Предотвращение пожара**

- Не ставьте на устройство источники открытого огня, например горящие свечи.

- В устройствах с вентиляционными отверстиями вентиляция должна быть беспрепятственной; на вентиляционных отверстиях не должны находиться посторонние предметы, в том числе газеты, скатерти и занавески. Не допускается размещение устройства на кровати, диване, ковре или другой поверхности, при котором вентиляционные отверстия заблокированы.

### **Горячая поверхность**



- **ОСТОРОЖНО!** Горячие детали! Не прикасайтесь.

Опасность ожога пальцев при обращении с деталями. Перед прикосновением к деталям устройства подождите полчаса после его выключения.

### **Электропитание**

- Входное напряжение должно соответствовать ограниченному источнику питания (12 В постоянного тока) в соответствии со стандартом IEC62368. Подробная информация приведена в таблице технических данных.
- Убедитесь, что вилка правильно подключена к розетке электропитания.
- Во избежание перегрева или возгорания из-за перегрузки ЗАПРЕЩАЕТСЯ подключать несколько устройств к одному адаптеру питания.
- + обозначает положительный контакт оборудования, который должен подключаться к источнику постоянного тока. - обозначает отрицательный контакт оборудования, который должен подключаться к источнику постоянного тока.

### **Установка**

- Установите устройство в соответствии с инструкциями, приведенными в настоящем руководстве.
- Во избежание травм устройство необходимо надежно закрепить на монтажной поверхности согласно инструкциям по установке.
- Никогда не ставьте оборудование на неустойчивую поверхность. Падение оборудования на человека может стать причиной серьезных травм или смерти.
- Данное устройство не предназначено для использования в тех местах, где могут находиться дети.
- Данное оборудование предназначено для использования только с подходящими кронштейнами. Использование оборудования с другими принадлежностями (тележками, подставками или держателями) может привести к травмам в результате неустойчивости устройства.

### **Безопасность системы**

- Помните, что вы несете ответственность за конфигурирование всех паролей и прочих параметров безопасности устройства, а также за сохранность своего имени пользователя и пароля.

### **Техническое обслуживание**

- Если изделие не работает должным образом, обратитесь к

дилеру или к специалистам ближайшего сервисного центра. Компания-изготовитель не несет ответственности за неисправности, возникшие в результате несанкционированного ремонта или технического обслуживания.

- При необходимости осторожно протрите устройство чистой салфеткой, смоченной небольшим количеством этилового спирта.
- Если оборудование используется способом, не указанным производителем, обеспечиваемая устройством безопасность может быть нарушена.

### **Требования к рабочей среде**

- Убедитесь, что рабочая среда удовлетворяет требованиям надлежащей работы устройства. Рабочая температура должна находиться в диапазоне от -20 до 55 °C, а влажность в рабочем режиме должна составлять от 5 до 95 %.
- Не направляйте объектив устройства на солнце или другие яркие источники света.
- ЗАПРЕЩАЕТСЯ устанавливать устройство в условиях воздействия сильного электромагнитного излучения.

### **Кнопка подачи экстренного сигнала тревоги**

- Прежде чем подключать кабели, устанавливать или разбирать устройство, убедитесь, что питание отключено.
- При появлении дыма, необычного запаха или шума немедленно отключите питание устройства, извлеките вилку кабеля питания из розетки и обратитесь в сервисный центр.

### **Синхронизация времени**

- Если локальное время не было синхронизировано с сетевым временем, выполните ручную настройку времени устройства при первом доступе. Войдите в систему устройства через веб-браузер или клиентское ПО и перейдите в интерфейс настроек времени.

### **Адрес производителя**

Комната 313, помещение «В», корпус 2, 399 Danfeng Road, район Xixing, округ Binjiang, Hangzhou, Zhejiang 310052, Китай  
Компания Hangzhou Microimage Software Co., Ltd.



**УВЕДОМЛЕНИЕ О СООТВЕТСТВИИ:** В различных странах и регионах, включая США, ЕС, Великобританию и/или другие страны, подписавшие Вассенарские соглашения, на тепловизионные устройства могут распространяться правила экспортного контроля. При необходимости транспортировки между странами, экспорта или реэкспорта тепловизионных устройств обратитесь к юристу, специалисту по соблюдению нормативно-правового соответствия или местным органам власти для получения информации о разрешении на экспорт.

## 1 Огляд

### 1.1 Короткий опис

Термографічна мережева корпусна камера (далі – «пристрій») об'єднує в собі функції системи дистанційного спостереження через інтернет, відеосервера й вимірювання температури в реальному часі.

Дистанційне передавання даних, попередній перегляд і конфігурування можна виконувати за допомогою браузерів і клієнтських програм. Пристрій легко встановлюється та не потребує складної кабельної системи.

Його можна широко використовувати у виробництві харчових продуктів і побутової хімії, тестуванні БДП, дослідженнях та інших галузях.

### 1.2. Функції

Нижче описано функції пристрою.

- Режим макрозйомки.
- Формування теплових зображень.
- Декілька палітр.
- Калібрування, яке забезпечує однорідність зображення та покращує деталі й ефекти зображення.
- Потужні алгоритми стиснення відео, які підтримують високий коефіцієнт стиснення з наднизьким бітрейтом.
- NAS зі швидкою та надійною передачею даних.
- Сповіщення про порогову температуру та інші функції вимірювання температури, які можна аналізувати в клієнті.
- Протоколи TCP/IP, HTTP тощо.
- Дистанційне оновлення та техобслуговування

### 1.3. Компоненти та інтерфейс (сторінка 1 – А)

Зовнішній вигляд наведено лише для довідки. Завжди орієнтуйтеся на фактичний пристрій.

№	Компоненти та інтерфейс	Опис
1	Тепловізійний об'єктив	Отримання теплового

		зображення.
2	Регулятор режиму	Переведення пристрою в режим макрозйомки або звичайний режим.
3	Коліщатко фокусування	Регулювання фокусної відстані.
4	Отвори з різьбою 1/4-20 UNC	Встановлення гвинтів.
5	Позиційний отвір	Допомагає вирівняти пристрій щодо позиційного штифта на адаптері.
6	Індикатори мережі	<ul style="list-style-type: none"> <li>● Блимають: передавання мережевих даних.</li> <li>● Світяться: з'єднання з мережею встановлено, передавання даних відсутнє.</li> </ul>
7	Кнопка скидання	Щоб відновити заводські налаштування пристрою, натисніть і утримуйте кнопку протягом 10 с, після чого відпустіть кнопку.
8	Гвинт заземлення	Підключення клеми заземлення з метою гарантування

		електричної безпеки.
9	Індикатор живлення	<ul style="list-style-type: none"> <li>● Немиготливий зелений: працює.</li> <li>● Немиготливий червоний: запуск системи.</li> </ul>
10	Клемне гіздо	Містить 10 штирових роз'ємів.
11	Мережевий роз'єм	RJ-45, з'єднання з мережею
12	Мережевий кабель	Вставте мережевий кабель, який входить у комплект, і затягніть гвинти на кабелі, щоб закріпити його.
13	Клемна колодка	Вставте клемну колодку в гніздо й з'єднайте дроти згідно зі схемою контактів, наведеною в таблиці нижче.

#### 1.4. Схема контактів (сторінка 2 – В)

№	Сигнал	Опис
1	Живлення	<p>Вхід живлення 12 В пост. струму</p> <p>Правильно під'єднайте позитивні й негативні клеми.</p> <p>*Після встановлення пристрою ви можете використовувати адаптер, який входить у комплект, для заряджання</p>
2	GND	

		пристрою.
3	RS-232_RX	Послідовний інтерфейс RS-232 для налагодження пристрою.
4	RS-232_TX	
5	ALARM_IN	1 вхід сигналу тривоги; 2 виходи сигналу тривоги
6	ALARM_OUTA	
7	ALARM_OUTB	
8	RS485-	Інтерфейс послідовного порту RS-485
9	RS485+	
10	CVBS	Аналоговий відеовихід

## 2 Активація та доступ до мережевої камери

Перейдіть за посиланням: [www.hikmicrotech.com](http://www.hikmicrotech.com), щоб завантажити й установити HIKMICRO Studio. Детальні вказівки з експлуатації пристрою див. у посібнику користувача.

## 3 Установлення

Перш ніж встановлювати пристрій, прочитайте інструкції в цьому розділі.

**⚠ Небезпечно!** Під час встановлення, підключення або від'єднання пристрою, повністю відключіть живлення, щоб забезпечити безпеку персоналу й пристрою.

### 3.1. Передумови

Переконайтеся, що пристрій в упаковці перебуває у належному стані, і що всі деталі з комплекту в наявності. Перш ніж установлювати, підготуйте всі необхідні деталі.

- Під час установлення пристрою переконайтеся, що температура навколишнього середовища становить від  $-20\text{ }^{\circ}\text{C}$  до  $\sim +50\text{ }^{\circ}\text{C}$ , а рівень вологості  $\leq 90\% \pm 5\%$  без конденсації.
- Пристрій не є водонепроникним. Не піддавайте пристрій впливу прямих сонячних променів і не встановлюйте

пристрій окремо на вулиці.

- Забезпечте достатньо місця для встановлення камери й додаткового приладдя. Див. розмір пристрою (сторінка 2 – С), одиниці вимірювання: мм [дюйми].
- Під час встановлення дотримуйтесь інструкцій із техніки безпеки, наведених у цьому посібнику.

### **3.2. Установлення пристрою**

У цьому розділі описано способи кріплення штатива й підставки для мікроскопа. Виберіть спосіб встановлення залежно від реальної ситуації.

#### **3.2.1. Кріплення до штатива (сторінка 3 – D)**

Пристрій має різьбові отвори 1/4-20 UNC, і його можна прикріпити до штатива й інших стаціонарних засобів за допомогою адаптера 1/4-20 UNC.

**Порядок установлення:**

1. Підготуйте відповідний адаптер (②) і за допомогою гвинта 1/4-20 UNC прикріпіть адаптер до пристрою (①) через отвори 1/4-20 UNC на пристрої.
2. Помістіть зібраний пристрій і адаптер на монтажну пластину й скористайтеся кнопкою розблокування (③) на штативі, щоб закріпити пристрій.

#### **3.2.2. Кріплення до підставки для мікроскопа (сторінка 4, 5 – E)**

Пристрій має різьбові отвори 1/4-20 UNC (⑥), і його можна прикріпити до підставки для мікроскопа (③) за допомогою адаптера 1/4-20 UNC, коли вам потрібно виконати макрозйомку.

**Порядок установлення:**

1. Вирівняйте позиційний штифт (①) на адаптері (②) щодо позиційного отвору (④) на пристрої.
2. Затягніть кріпильний гвинт (⑤) на підставці для мікроскопа для кріплення пристрою на підставці.
3. Відрегулюйте відстань до об'єкта. Відстань між пристроєм і ціллю має становити 4,3 см.
4. Поверніть регулятор, щоб вибрати режим макрозйомки

(⑦), потім поверніть коліщатко фокусування (⑧), вирівнявши два фіксувальні штифти (⑨).

#### **4. Посібник користувача (сторінка 4 – F)**

#### **5. Технічна підтримка**

Портал <https://www.hikmicrotech.com/en/contact-us.html> допомагає покупцям HIKMICRO використовувати їхні вироби HIKMICRO максимально ефективно. Він забезпечує доступ до нашої служби підтримки, програмного забезпечення та документації, контактних осіб з обслуговування тощо.

#### **Відповідність нормативним вимогам та інформація щодо техніки безпеки**

Прочитайте всю інформацію й указівки, що містяться в цьому документі, та збережіть його для подальшого використання.

Для отримання більш детальної інформації про пристрій і вказівок щодо його використання відвідайте наш вебсайт: <https://www.hikmicrotech.com>. Крім того, щоб отримати більш детальну інформацію, ви можете звернутися до інших документів (якщо є), які постачаються разом із пристроєм, або відсканувати QR-код (якщо є) на упаковці.

#### **ЗАЯВА ПРО ВІДМОВУ ВІД ВІДПОВІДАЛЬНОСТІ**

В МАКСИМАЛЬНИХ МЕЖАХ, ДОЗВОЛЕНИХ ЗАСТОСОВУВАНИМ ЗАКОНОМ, ЦЕ КЕРІВНИЦТВО ТА ОПИСАНИЙ ВИРІБ, З ЙОГО АПАРАТНИМ, ПРОГРАМНИМ ТА МІКРОПРОГРАМНИМ ЗАБЕЗПЕЧЕННЯМ, НАДАЮТЬСЯ «ЯК Є» ТА «ЗІ ВСІМА НЕДОЛІКАМИ ТА ПОМИЛКАМИ». HIKMICRO НЕ НАДАЄ ЖОДНИХ ГАРАНТІЙ, ЯВНИХ АБО ОЧІКУВАНИХ, ВКЛЮЧАЮЧИ, БЕЗ ОБМЕЖЕНЬ, КОМЕРЦІЙНІ ЯКОСТІ, ЗАДОВІЛЬНУ ЯКІСТЬ АБО ПРИДАТНІСТЬ ДЛЯ ХАРАКТЕРНОЇ МЕТИ. ВИКОРИСТАННЯ ВИРОБУ ВІДБУВАЄТЬСЯ НА ВАШ ВЛАСНИЙ РИЗИК. КОМПАНІЯ HIKMICRO НІ В ЯКОМУ РАЗІ НЕ НЕСЕ ВІДПОВІДАЛЬНОСТІ ПЕРЕД ВАМИ ЗА БУДЬ-ЯКІ СПЕЦІАЛЬНІ, ЛОГІЧНО ВИТІКАЮЧІ, ВИПАДКОВІ АБО НЕПРЯМІ ЗБИТКИ, ВКЛЮЧАЮЧИ, КРІМ ІНШОГО, ПОШКОДЖЕННЯ, ЩО ВЕДУТЬ ДО ВТРАТИ КОМЕРЦІЙНОГО

ПРИБУТКУ, ПЕРЕРИВАННЯ ДІЛОВОЇ АКТИВНОСТІ АБО ВТРАТИ ДАНИХ, ПСУВАННЯ СИСТЕМ АБО ВТРАТИ ДОКУМЕНТАЦІЇ, НЕВАЖЛИВО, ЧИ ВНАСЛІДОК ПОРУШЕННЯ КОНТРАКТУ, ЦИВІЛЬНОГО ПРАВОПОРУШЕННЯ (ВКЛЮЧАЮЧИ НЕДБАЛИСТЬ), ВІДПОВІДАЛЬНОСТІ ЗА ВИРІБ, АБО ІНШИМ ЧИНОМ, ПОВ'ЯЗАНИХ З ВИКОРИСТАННЯМ ВИРОБУ, НАВІТЬ ЯКЩО КОМПАНІЯ НІКМІСРО ПОВІДОМЛЯЛА ПРО МОЖЛИВІСТЬ ТАКИХ ЗБИТКІВ АБО ВТРАТ.

ВИ УСВІДОМЛЮЄТЕ, ЩО ПРИРОДА ІНТЕРНЕТУ НЕСЕ ПРИТАМАННІ РИЗИКИ ДЛЯ БЕЗПЕКИ, І КОМПАНІЯ НІКМІСРО НЕ БЕРЕ НА СЕБЕ НІЯКОЇ ВІДПОВІДАЛЬНОСТІ ЗА НЕНОРМАЛЬНУ РОБОТУ, ВТРАТУ КОНФІДЕНЦІЙНОСТІ АБО ІНШІ ЗБИТКИ В РЕЗУЛЬТАТІ КІБЕР-АТАК, ХАКЕРСЬКИХ АТАК, ЗАРАЖЕНЬ ВІРУСАМИ АБО ІНШИХ РИЗИКІВ ДЛЯ БЕЗПЕКИ В ІНТЕРНЕТІ, ОДНАК, КОМПАНІЯ НІКМІСРО В РАЗІ НЕОБХІДНОСТІ НАДАЄТЬ СВОЄЧАСНУ ТЕХНІЧНУ ПІДТРИМКУ.

ВИ ПОГОДЖУЄТЕСЬ ВИКОРИСТОВУВАТИ ЦЕЙ ВИРІБ У ВІДПОВІДНОСТІ ДО ВСІХ ЗАСТОСОВУВАНИХ ЗАКОНІВ, І ВИ НЕСЕТЕ ОДНООСІБНУ ВІДПОВІДАЛЬНІСТЬ ЗА ЗАБЕЗПЕЧЕННЯ ВИКОРИСТАННЯ ВИРОБУ ВІДПОВІДНО ДО ЗАСТОСОВУВАНОВОГО ЗАКОНУ. ЗОКРЕМА, ВИ НЕСЕТЕ ВІДПОВІДАЛЬНІСТЬ ЗА ВИКОРИСТАННЯ ЦЬОГО ВИРОБУ СПОСОБОМ, ЯКИЙ НЕ ПОРУШУЄ ПРАВА ТРЕТІХ СТОРІН, ВКЛЮЧАЮЧИ, БЕЗ ОБМЕЖЕНЬ, ПРАВА РОЗГОЛОШЕННЯ, ПРАВА ІНТЕЛЕКТУАЛЬНОЇ ВЛАСНОСТІ ТА ІНШІ ПРАВА ЩОДО КОНФІДЕНЦІЙНОСТІ. ВИ НЕ ПОВИННІ ВИКОРИСТОВУВАТИ ЦЕЙ ВИРІБ ДЛЯ БУДЬ-ЯКОГО ЗАБОРОНЕНОГО КІНЦЕВОГО ПРИЗНАЧЕННЯ, ВКЛЮЧАЮЧИ РОЗРОБКУ ЧИ ВИРОБНИЦТВО ЗБРОЇ МАСОВОГО ЗНИЩЕННЯ, РОЗРОБКУ ЧИ ВИРОБНИЦТВО ХІМІЧНОЇ АБО БІОЛОГІЧНОЇ ЗБРОЇ, БУДЬ-ЯКІ ДІЇ В КОНТЕКСТІ, ПОВ'ЯЗАНОМУ З ЯДЕРНОЮ ВИБУХОВОЮ РЕЧОВИНОЮ АБО НЕБЕЗПЕЧНИМ ЯДЕРНИМ ПАЛИВНИМ ЦИКЛОМ, АБО НА ПІДТРИМКУ ПОРУШЕНЬ ПРАВ ЛЮДИНИ. У РАЗІ БУДЬ-ЯКИХ ПРОТИРІЧ МІЖ ЦИМ КЕРІВНИЦТВОМ ТА ЗАСТОСОВУВАНИМ ЗАКОНОМ, ОСТАННІЙ МАЄ ПЕРЕВАГУ.

**Нормативна інформація**



---

**Ці положення застосовуються лише до продуктів, які мають відповідний знак або інформацію.**

---

### **Декларація відповідності нормативним вимогам ЄС**



Цей виріб й аксесуари до нього (якщо є в комплекті) мають маркування «СЕ», а тому відповідають чинним гармонізованим

європейським стандартам, переліченим у Директиві з електромагнітної сумісності (EMCD) 2014/30/ЄС і Директиві щодо обмеження використання шкідливих речовин (RoHS) 2011/65/ЄС.

Примітка: Продукти з вхідною напругою від 50 до 1000 В змінного струму або від 75 до 1500 В постійного струму відповідають Директиві 2014/35/ЄС (LVD), а решта продуктів відповідає Директиві 2001/95/ЄС (GPSD). Щоб дізнатися напевно, перевірте інформацію про джерело живлення.

Увага! Це виріб класу А. У побутових умовах цей виріб може створювати радіоперешкоди, що може вимагати від користувача вжиття належних заходів.



2012/19/ЄС (Директива з утилізації електричного й електронного обладнання, WEEE): Вироби, помічені цим символом, не можна утилізувати у

Європейському Союзі як несортвані побутові відходи. Щоб забезпечити правильну переробку цього виробу, поверніть його місцевому постачальнику під час придбання аналогічного нового обладнання, або здайте його до спеціально призначеного пункту збирання відходів. Більше інформації див. на сайті:

[www.recyclethis.info](http://www.recyclethis.info)



2006/66/ЄС із поправками 2013/56/ЄС (Директива щодо акумуляторів): Цей виріб містить батарею, яку не можна утилізувати в Європейському Союзі як несортвані побутові відходи. Інформацію щодо

батареї див. у документації до виробу. Батарея помічена цим символом, який може включати букви, що вказують на наявність кадмію (Cd), свинцю (Pb) або ртуті (Hg). Щоб

забезпечити правильну переробку батареї, поверніть її постачальнику або здайте до спеціалізованого пункту збирання відходів. Більше інформації див. на сайті: [www.recyclethis.info](http://www.recyclethis.info).

### **Указівки з техніки безпеки**

Ці інструкції дозволять користувачу використовувати виріб правильно та уникати небезпеки чи пошкодження майна. Перш ніж використовувати пристрій, прочитайте всю інформацію щодо техніки безпеки.

### **Закони та норми**

Пристрій слід використовувати з дотриманням місцевих законів, електротехнічних норм та правил протипожежної безпеки.

### **Транспортування**

- Під час транспортування зберігайте пристрій в оригінальному або подібному пакуванні.
- Не допускайте падіння виробу або впливу на нього механічних ударів. Тримайте пристрій подалі від магнітних завад.

### **Електрична безпека**

- **ОБЕРЕЖНО:** Якщо пристрій має змінний запобіжник, замінійте запобіжник лише на запобіжник такої ж моделі, щоб зменшити ризик пожежі й ураження електричним струмом.
- Якщо до нейтрального дроту під'єднано запобіжник і використовується плавкий двополюсний запобіжник / запобіжник у нейтралі, то після спрацювання запобіжника ті частини пристрою, які залишаються під напругою, можуть становити небезпеку під час технічного обслуговування.
- Пристрій слід підключати до електричної розетки з заземленням.
- Розетка має бути встановлена біля пристрою і до неї повинен бути вільний доступ.
- Не торкайтесь оголених компонентів (таких як металеві контакти вхідних роз'ємів) і зачекайте щонайменше 5 хвилин після вимкнення пристрою, оскільки ці компоненти все ще можуть знаходитися під напругою.

● Якщо пристрій живиться через клеми, до яких підключається шнур живлення, переконайтеся, що клеми, на які подається мережеве живлення, розраховані на відповідну напругу й правильно з'єднані.

## **Батарея**

Увага!

- Не мочить виріб і батарею й не піддавайте їх дії води.
- Не розміщуйте виріб у середовищі з дуже високою температурою, зокрема, у вогні або в печі. Це може призвести до вибуху або витoku вогненебезпечної рідини або газу.
- Не кладіть виріб у працюючі нагрівальні камери, пральні машини й камери високого тиску.
- Середовище, у якому встановлюється виріб, повинне відповідати зазначеним вимогам щодо діапазону температур і вологості, на виріб не повинне потрапляти пряме сонячне світло, навколо нього не можна розміщувати різні предмети й легкозаймисті матеріали, оскільки це може спричинити виникнення небезпечних ситуацій.
- Не розміщуйте виріб у місцях із дуже низьким атмосферним тиском. Це може призвести до вибуху або витoku вогненебезпечної рідини або газу.

Зберігання.

- Батарею слід зберігати в складському або іншому приміщенні, де на неї не повинне потрапляти світло й вода. Не розміщуйте батарею в місцях, де на неї може потрапляти пряме сонячне світло, дощ або вода.
- Вимоги щодо температури в місці зберігання батареї: від 10 °C до 30 °C.
- Вимоги щодо вологості в місці зберігання батареї:  $\leq 60\%$  відносної вологості.

Експлуатація та використання

- Увага! Пристрій містить вбудовані батареї, які не можна розбирати, замінювати або змінювати особам, які не пройшли належну професійну підготовку. Інакше існує ризик вибуху, пожежі або хімічної корозії.
- Увага! батарею не можна стискати, робити в ній отвори,

бити, піддавати механічним ударам та розбирати. Пошкодження батареї може викликати її нагрівання, займання або вибух.

- Увага: у разі пошкодження батареї зверніться до служби післяпродажної підтримки, щоб замінити батарею. Не ремонтуйте й не замінійте елемент самостійно.
- Заряджайте й розряджайте батареї в зазначеному температурному діапазоні. При цьому під час заряджання батарею не можна нічим накривати й розміщувати біля неї займисті матеріали, оскільки це може спричинити виникнення небезпечних ситуацій.
- Доставляти батарею слід у частково зарядженому стані.
- Під час перевірки батареї вдягайте захисні окуляри й захисні рукавички.
- Якщо батарея протікає й рідина з батареї потрапила на шкіру або в очі, якомога скоріше промийте їх чистою водою й негайно зверніться по медичну допомогу.
- Щоб загасити вогонь у разі займання батареї, скористайтеся пінним вогнегасником, порошковим вогнегасником або піском для гасіння пожеж.
- Використовуйте оригінальний або зазначений зарядний пристрій. Використання неправильних способів заряджання або зарядних пристроїв може спричинити пошкодження батареї, її займання або інші проблеми.
- Не заряджайте батарею несправним зарядним пристроєм.
- Після вичерпання зазначеного часу заряджання батареї припиніть процес заряджання, інакше батарея може перегрітися, вибухнути або зайнятися.

Правила утилізації використаних батарей

- Батареї є токсичними й небезпечними. Утилізуйте або викидайте батареї відповідно до чинного національного законодавства, стандартів і нормативних актів.

### **Запобігання пожежі**

- Забороняється розміщувати на пристрої джерела відкритого вогню, як-от свічки, які горять.
- У випадку пристроїв із вентиляційними отворами не можна перешкоджати вентиляції шляхом накривання

вентиляційних отворів різними предметами, як-от газетами, скатертинами або шторами. Забороняється блокувати отвори шляхом розміщення пристрою на ліжку, дивані, килимі або іншій аналогічній поверхні.

### **Гаряча поверхня**



● **ОБЕРЕЖНО:** Гарячі деталі! Не торкатися. Будьте обережні, щоб не обпекти пальці о деталі. Після вимикання живлення зачекайте півгодини, перш ніж працювати з цими деталями.

### **Живлення**

● Вхідна напруга повинна відповідати вимогам до джерел живлення обмеженої потужності (12 В постійного струму) згідно зі стандартом IEC62368. Щоб отримати докладну інформацію, див. технічні характеристики.

● Переконайтесь, що штепсельну вилку надійно зафіксовано в розетці.

● **НЕ ПІДКЛЮЧАЙТЕ** декілька пристроїв до одного адаптера живлення, щоб уникнути перегрівання чи небезпеки пожежі внаслідок перенавантаження.

● + позначає позитивну клему(и) обладнання, що використовує постійний струм чи генерує його. - позначає негативну клему(и) обладнання, що використовує постійний струм чи генерує його.

### **Установлення**

● Установлюйте пристрій відповідно до вказівок у цій інструкції.

● Щоб уникнути травм, цей пристрій слід надійно закріпити на монтажній поверхні відповідно до вказівок щодо встановлення.

● Ніколи не розміщуйте обладнання на хиткій поверхні. Обладнання може впасти, що може призвести до серйозної травми або смерті.

● Це обладнання не підходить для використання в місцях, де можуть перебувати діти.

● Це обладнання можна використовувати лише з кронштейнами відповідного типу. Використання чогось

іншого (візків, стійок або кріплень) може призвести до падіння обладнання й до травмування.

### **Безпека системи**

● Усвідомте, що ви несете відповідальність за налаштування всіх паролів та інших параметрів безпеки пристрою, а також за збереження свого імені користувача та пароля.

### **Технічне обслуговування**

- Якщо виріб не працює належним чином, зверніться до вашого дилера або найближчого сервісного центру. Ми не несемо жодної відповідальності за проблеми, які виникли внаслідок недозволеного ремонту чи догляду.
- За потреби обережно протріть пристрій чистою тканиною, змоченою невеликою кількістю етилового спирту.
- Якщо обладнання використовується в спосіб, не зазначений виробником, то забезпечувану пристроєм безпеку може бути порушено.

### **Умови експлуатації**

- Переконайтесь, що середа використання відповідає умовам експлуатації пристрою. Робоча температура має становити від  $-20^{\circ}\text{C}$  до  $50^{\circ}\text{C}$  (від  $-4^{\circ}\text{F}$  до  $122^{\circ}\text{F}$ ), а робоча вологість – від 5 % до 95 %.
- НЕ СПРЯМОВУЙТЕ об'єкти на сонце або інші джерела яскравого світла.
- НЕ піддавайте пристрій впливу сильного електромагнітного випромінювання.

### **Аварійні ситуації**

- Перш ніж під'єднувати, встановлювати або розбирати пристрій, переконайтеся, що живлення від'єднано.
- Якщо пристрій випускає дим, запах або видає шум, негайно вимкніть живлення, від'єднайте кабель живлення та зверніться в сервісний центр.

### **Синхронізація часу**

- Під час першого використання встановіть час пристрою вручну, якщо він не синхронізувався за мережею. Перейдіть до пристрою за допомогою веббраузера / клієнтського програмного забезпечення, після чого перейдіть до

інтерфейсу налаштувань часу.

**Адреса виробника**

Кімната 313, блок Б, будівля 2, 399 Данфен Роуд, підрайон Сісін, район Біньцзян, м. Ханчжоу, Чжецзян, 310052, Китай  
Hangzhou Microimage Software Co., Ltd.

**ПРИМІТКА ЩОДО ВІДПОВІДНОСТІ НОРМАТИВНИМ ВИМОГАМ:** Пристрої теплової серії можуть регулюватися положеннями контролю експорту в різних країнах або регіонах, включаючи, без обмежень, Сполучені Штати Америки, Європейський Союз, Об'єднане Королівств та/або інші країни-учасники Вассенаарської домовленості. Проконсультуйтеся з вашим професійним юристом або експертом із відповідності нормативним вимогам чи місцевими органами влади щодо необхідності експортних ліцензій, якщо ви плануєте передавати, експортувати або реекспортувати пристрої теплової серії між різними країнами.

## 1 개요

### 1.1 간략 설명

열화상 네트워크 박스 카메라 (이하 "장치")는 원격 인터넷 감시, 비디오 서버 및 실시간 온도 측정 기능을 통합합니다.

원격 전송, 미리보기 및 구성은 브라우저와 클라이언트를 통해 수행될 수 있습니다. 장치는 구조화된 케이블링 시스템 없이 쉽게 설치할 수 있습니다.

식품 생산, 일용 화학 산업, PCBA 테스트, 연구, 기타 분야에 널리 사용될 수 있습니다.

### 1.2 기능

장치에는 다음과 같은 기능이 있습니다.

- 매크로 모드.
- 열화상 이미지.
- 다중 팔레트.
- 이미지 균일성을 보장하고 이미지 세부 정보와 효과를 향상시키는 보정입니다.
- 초저 비트레이트로 높은 압축률을 지원하는 강력한 비디오 압축 알고리즘.
- 빠르고 안정적인 데이터 전송 성능을 갖춘 NAS.
- 클라이언트에서 분석할 수 있는 온도 임계값 알람 및 기타 온도 측정 기능.
- TCP/IP, HTTP 및 기타 프로토콜.
- 원격 업그레이드 및 유지보수.

### 1.3 구성요소 및 인터페이스(1페이지 - A)

외관은 참조용으로만 제공됩니다. 실제 장치가 우선합니다.

번호	구성요소 및 인터페이스	설명
1	열화상 렌즈	열화상 이미지를 봅니다.
2	모드 다이얼	장치를 매크로 모드 또는 일반 모드로



		전환합니다.
3	초점 휠	초점 거리를 조정합니다.
4	1/4-20 UNC 나사 구멍	나사를 설치합니다.
5	고정 구멍	어댑터의 위치 핀에 장치를 정렬하는 데 도움이 됩니다.
6	네트워크 표시등	<ul style="list-style-type: none"> <li>● 깜박임: 네트워크 데이터를 전송합니다.</li> <li>● 점등: 데이터 전송 없이 네트워크가 연결되어 있습니다.</li> </ul>
7	초기화 버튼	버튼을 10초간 눌렀다 떼면 장치가 공장 설정으로 복원됩니다.
8	접지 나사	전기 안전이 보장되도록 접지 터미널에 연결합니다.
9	전원 표시기	<ul style="list-style-type: none"> <li>● 녹색 켜짐: 작동하고 있습니다.</li> <li>● 빨간색 켜짐: 시스템이 작동하고 있습니다.</li> </ul>
10	터미널 소켓	10 개의 핀 커넥터를 포함합니다.
11	네트워크 인터페이스	RJ-45, 네트워크 커뮤니케이션
12	네트워크 케이블	패키지에 네트워크

		케이블을 꽂을 때 케이블의 나사를 조여 고정합니다.
13	터미널 블록	터미널 블록을 터미널 소켓에 삽입하고 다음 표에 설명된 핀 정의를 참조하여 와이어를 결합합니다.

## 1.4 핀 정의(2페이지 - B)

번호	신호	설명
1	전원	12V DC 전원 입력. 양극 터미널과 음극 터미널을 올바르게 연결하십시오.  *장치를 설치한 후 패키지의 어댑터를 사용하여 장치를 충전할 수 있습니다.
2	GND	
3	RS-232_RX	RS-232 시리얼 통신, 장치 디버깅용.
4	RS-232_TX	
5	ALARM_IN	1 알람 입력, 2 알람 출력.
6	ALARM_OUTA	
7	ALARM_OUTB	
8	RS485-	RS-485 시리얼 포트 통신 인터페이스.
9	RS485+	
10	CVBS	아날로그 비디오 출력.

## 2 네트워크 카메라 활성화 및 액세스

[www.hikmicrotech.com](http://www.hikmicrotech.com)을 방문하여 HIKMICRO Studio를 다운로드하고 설치하십시오. 자세한 작동은 장비의 사용

설명서를 참조하십시오.

### 3 설치

장치를 설치하기 전에 이 섹션의 지침을 읽으십시오.

**⚠️ 위험:** 장치를 설치하거나, 끄거나, 켤 때 모든 전원을 차단하여 작업자와 장치의 안전을 보장하십시오.

#### 3.1 필수 구성 요소

패키지에 포함된 장치의 상태가 양호하고 모든 조립 부품이 포함되어 있는지 확인하고 설치 전에 필요한 부품을 준비하십시오.

- 장치를 설치할 때는 주변 온도가  $-20^{\circ}\text{C}\sim+50^{\circ}\text{C}$ , 습도가 응결 없이  $90\%\pm 5\%$  이하가 되도록 하십시오.
- 장치는 방수가 되지 않습니다. 장치를 직사광선에 노출시키거나 실외 환경에 별도로 설치하지 마십시오.
- 장치와 액세서리를 설치할 공간이 충분한지 확인하십시오. 장치의 치수(2페이지 - C)를 참조하십시오. 단위: mm [inch].
- 설치하는 동안 이 설명서의 안전 지침을 준수하십시오.

#### 3.2 장치 설치

섹션에서는 참고용으로 삼각대 및 현미경 스탠드 장착 방법을 소개합니다. 실제 시나리오를 기반으로 설치 방법을 선택합니다.

##### 3.2.1 삼각대에 부착(3페이지 - D)

장치에는 1/4-20 UNC 나사 구멍이 있으며, 1/4-20 UNC 어댑터를 통해 삼각대 및 기타 고정 시나리오에 부착할 수 있습니다.

단계:

1. 적합한 어댑터 (②)를 준비하고 1/4-20 UNC 나사를 사용하여 장치의 1/4-20 UNC 나사 구멍을 통해 어댑터를 장치(①)에 고정합니다.
2. 조립된 장치와 어댑터를 마운팅 플레이트에 놓고 삼각대의 릴리스 노브 (③)를 사용하여 장치를 고정합니다.

##### 3.2.2 현미경 스탠드에 부착(4, 5페이지 - E)

장치에는 1/4-20 UNC(⑥) 나사 구멍이 있으며, 매크로

시나리오에서는 1/4-20 UNC 어댑터를 통해 현미경 스탠드(③)에 고정할 수 있습니다.

#### 단계:

1. 어댑터(②)의 위치 핀(①)과 장치의 위치 지정 구멍 (④)을 맞춥니다.
2. 현미경 스탠드의 고정 나사 (⑤)를 조여 장치를 스탠드에 고정합니다.
3. 물체 거리를 조정하고, 장치와 대상 사이의 거리가 4.3cm인지 확인합니다.
4. 모드 다이얼을 매크로 모드(⑦)로 돌린 다음 초점 휠(⑧)을 돌려 두 위치 핀(⑨)을 정렬합니다.

## 4 사용 설명서(4페이지 - F)

## 5 기술 지원

HIKMICRO 고객은

<https://www.hikmicrotech.com/en/contact-us.html> 포털에서 HIKMICRO 제품 활용에 필요한 도움을 받을 수 있습니다. 이 포털을 통해 지원 팀, 소프트웨어 및 설명서, 서비스 담당자 등에 액세스할 수 있습니다.

## 규정 준수 및 안전 정보

장치를 사용하기 전에 이 문서의 정보를 모두 주의 깊게 읽고 나중에 참조할 수 있게 보관하십시오.

장치 정보와 안내를 자세히 확인하려면

<https://www.hikmicrotech.com> 웹 사이트에 방문하십시오.

장비와 함께 제공된 다른 설명서(있는 경우)를 참조하거나 패키지의 QR 코드(있는 경우)를 스캔하여 자세한 정보를 알아보실 수 있습니다.

## 법적 고지 사항

관련 법률에서 허용하는 최대 범위에서 본 매뉴얼 및 설명된 제품은 하드웨어, 소프트웨어와 펌웨어의 모든 결함 및 오류가 “있는 그대로” 제공됩니다. HIKMICRO는 상품성, 품질 만족도, 특정 목적에의 적합성 및 타사의 비침해를 포함하되 이에 국한되지 않고 명시적 또는 묵시적으로 보증하지 않습니다. 제품 사용 시 책임은 전적으로 사용자에게 있습니다. 어떠한

경우에도 HIKMICRO는 제품의 사용과 관련해 발생하는 특별한, 결과적, 부수적 또는 간접적 손해 및 특히 사업상의 이익 손실, 운영 중단으로 인한 손해 또는 데이터의 손실, 시스템 장애 또는 문서의 손실에 대해 계약 위반, 불법 행위(과실 책임 포함), 제조물 책임 또는 그 외 제품 사용 관련성과 관계없이 일절 책임지지 않으며 HIKMICRO이 해당 손상 또는 손실이 발생할 가능성을 권고한 경우에도 그렇습니다.

귀하는 인터넷의 특성상 본질적으로 보안 위험이 잠재해 있음을 인정하며, HIKMICRO는 사이버 공격, 해커 공격, 바이러스 감염 또는 기타 인터넷 보안 위험으로 인해 발생한 비정상 작동, 개인정보 유출 또는 기타 손해에 대해 일절 책임지지 않습니다. 그러나 HIKMICRO는 필요한 경우 시기적절하게 기술 지원을 제공합니다.

귀하는 해당되는 모든 법률을 준수해 본 제품을 사용하는 데 동의하며, 해당되는 법률을 준수해 사용하는 것은 전적으로 귀하의 책임입니다. 특히, 귀하는 퍼블리시티권, 지적 재산권, 데이터 보호 및 기타 개인 정보 보호권을 포함하되 이에 국한되지 않고 제3자의 권리를 침해하지 않는 방식으로 본 제품을 사용하는 것에 대해 책임을 집니다. 귀하는 대량 살상 무기 개발 또는 생산, 화학 또는 생물 무기 개발 또는 생산, 핵폭발 또는 안전하지 않은 핵연료 주기와 관련된 또는 인권 침해를 조장할 수 있는 개발 또는 생산을 포함해 금지된 최종 용도를 위해 본 제품을 사용하지 않습니다.

본 매뉴얼과 적용되는 법률 사이에 충돌이 발생하는 경우 법률이 우선합니다.


## 규제 정보

---

**이 조항은 해당 마크 또는 정보가 있는 제품에만 적용됩니다.**

---

### EU 규정 준수 이행서

 본 제품은 물론 제공되는 액세서리(해당되는 경우)에도 "CE"가 표시되어 있으므로 Directive 2014/30/EU(EMCD), Directive 2011/65/EU(RoHS)에 명시된 적용되는 유럽 공통 표준을 준수합니다.

노트: 입력 전압이 50~1000 VAC 또는 75~1500 VDC 이내인 제품은 Directive 2014/35/EU(LVD)를, 나머지 제품은 Directive 2001/95/EC(GPSD)를 준수합니다. 참조를 위해 특정 전원 공급 장치 정보를 확인하십시오.

경고: A등급 제품입니다. 가정 환경에서 본 제품은 전파장애를 일으킬 수 있으며, 이 경우 사용자가 적절한 조치를 해야 할 수 있습니다.



2012/19/EU(WEEE 지침): 이 기호가 표시된 제품은 유럽 연합 내에서 분류되지 않은 일반폐기물로 폐기할 수 없습니다. 적절히 재활용하기 위해 동급 장비를 새로 구매할 때 현지 공급업체에 제품을 반납하거나 지정된 수거 장소에 폐기하십시오. 자세한 내용 확인: [www.recyclethis.info](http://www.recyclethis.info)



2006/66/EC 및 개정 2013/56/EU(배터리 지침): 본 제품에는 유럽 연합 내에서 분류되지 않은 일반폐기물로 폐기할 수 없는 배터리가 포함되어 있습니다. 특정 배터리에 관한 자세한 내용은 제품 관련 문서를 참조하십시오. 이 기호가 표시된 배터리에는 카드뮴(Cd), 납(Pb) 또는 수은(Hg)을 나타내는 글자가 포함될 수 있습니다. 적절히 재활용하기 위해 공급업체에 배터리를 반납하거나 지정된 수거 장소에 폐기하십시오. 자세한 내용은 [www.recyclethis.info](http://www.recyclethis.info)를 참조하십시오.

## KC

A급 기기: 이 기기는 업무용(A급) 전자파적합기기로써 판매자 또는 사용자는 이 점을 주의하시기바라며, 가정 외의 지역에서 사용하는 것을 목적으로 합니다.

## 안전 지침

이 지침은 사용자가 제품을 올바르게 사용해 위험 또는 재산상의 손실을 방지하도록 하기 위해 제공되는 것입니다. 사용하기 전에 모든 안전 정보를 주의 깊게 읽으십시오.

## 법률 및 규정

이 장비는 현지 법률, 전기 안전 규정 및 화재 예방 규정을 준수해 사용해야 합니다.

## 운반

● 장비를 운반할 때는 본래 포장재 또는 유사한 포장재에 장비를 넣으십시오.

● 제품을 떨어뜨리거나 물리적 충격을 가하지 마십시오.

장비가 전자파의 간섭을 받지 않도록 하십시오.

## 전기 안전

- 주의 사항: 장치의 퓨즈를 교체할 수 있는 경우 동일한 모델로만 교체하여 화재나 감전의 위험을 줄입니다.
- 퓨즈가 중성선에 연결되어 이중 극/중성 퓨즈가 발생할 경우, 퓨즈를 작동한 후 수리하는 동안 통전 상태를 유지하는 장치의 부품이 위험을 나타낼 수 있습니다.
- 장치는 접지된 주 전원 콘센트에 연결해야 합니다.
- 콘센트는 장치 근처에 설치되어 있어야 하고 쉽게 액세스할 수 있어야 합니다.
- 장치의 전원을 끈 후에도 전기가 계속 유지될 수 있으므로 노출된 부품(유입구의 금속 접점 등)을 만지지 말고 최소 5분 동안 기다립니다.
- 전원 코드에 연결된 단자로 장치에 전원이 공급되는 경우, 주 전원 공급 장치에 연결하기 위한 단자의 전압과 배선이 올바른지 확인합니다.

## 배터리

### 경고:

- 제품이나 배터리를 물에 젖히거나 물에 담그지 마십시오.
- 제품이 불이나 가열 오븐과 같은 극단적인 고온 환경에 노출되지 않도록 하십시오. 폭발하거나 인화성 액체 또는 기체가 누출될 수 있습니다.
- 가열 용기, 세탁기 또는 압력 용기에 제품을 넣지 마십시오.
- 제품 설치 환경은 지정된 온도와 습도 범위 내에 있어야 하고, 직사광선 노출을 피하고, 장애물이나 인화성 물질로 둘러싸여 있지 않아야 합니다. 그렇지 않으면 위험이 발생할 수 있습니다.
- 제품을 기압이 매우 낮은 곳에 두지 마십시오. 폭발하거나 인화성 액체 또는 기체가 누출될 수 있습니다.

### 저장소:

- 배터리는 빛 노출과 물이 없는 창고 또는 기타 실내 환경에 보관해야 합니다. 배터리를 직사광선이나 비나 물에 노출될 수 있는 장소에 두지 마십시오.
- 배터리 저장 온도 요구 사항: 10°C~30°C.
- 배터리 저장 상대 습도 요구 사항: ≤60% RH.

### 작동 및 사용:

- 경고: 장치에는 내장 배터리가 포함되어 있어 전문가의 도움 없이 분해, 교체 또는 수정하면 안 됩니다. 그렇지 않으면 폭발, 화재 또는 화학적 부식의 위험이 있습니다.

- 경고: 배터리를 짊 쥐거나 찌르거나 부딪치게 하거나 기계적으로 충격을 주거나 분해해서는 안 됩니다. 배터리가 손상되면 열, 화재 또는 폭발의 원인이 될 수 있습니다.
- 경고: 배터리가 손상된 경우 A/S로 문의하여 교체하십시오. 부품을 스스로 수리하거나 교체하지 마십시오.
- 지정된 온도 범위 내에서 충전 및 방전하고, 충전할 때 주변에 가림물이나 가연성 물질이 없어야 하며, 그렇지 않으면 위험이 발생할 수 있습니다.
- 배터리는 일부 충전된 상태로 배송되어야 합니다.
- 배터리를 검사할 때는 보호 안경과 장갑을 착용해야 합니다.
- 배터리가 누출되고 액체가 피부나 눈에 튀는 경우 가능한 한 빨리 많은 물로 행구고 즉시 진료를 받으십시오.
- 배터리에 불이 붙으면 폼 소화기, 분말 소화기 또는 소화용 모래를 사용하여 불을 끄십시오.
- 원래 배터리 충전기 또는 지정된 배터리 충전기를 사용하십시오. 잘못된 충전 방법과 충전기는 배터리를 손상시키고 불이 붙거나 다른 문제를 일으킬 수 있습니다.
- 고장난 충전기로 배터리를 충전하지 마십시오.
- 지정된 충전 시간에 도달한 후 충전을 중지하십시오. 그렇지 않으면 배터리가 과열되거나 폭발하거나 불이 붙을 수 있습니다.

#### 폐배터리 처리 요구 사항:

- 배터리는 독성이 있고 위험합니다. 해당 국가의 법률, 규정 및 표준에 따라 폐배터리를 처리하십시오.

#### 화재 예방

- 불이 켜진 촛불과 같이 불꽃이 드러나는 화염원을 장치 위에 놓지 마십시오.
- 환기구가 있는 장치의 경우 신문지, 식탁보 및 커튼과 같은 물품으로 환기구를 덮음으로써 환기구를 방해해서는 안 됩니다. 장치를 침대, 소파, 융단 또는 다른 유사한 표면에 놓음으로써 개구부를 막아서는 안 됩니다.

#### 뜨거운 표면



- 주의 사항: 온도가 높은 부품! 만지지 마십시오. 부품을 취급할 때 손가락에 화상을 입을 수 있습니다. 부품을 다루기 전에 전원을 끈 후 약 30분 기다리십시오.



## 전원 공급 장치

- IEC62368 표준에 따라 입력 전압은 제한 전원(12 VDC)를 충족해야 합니다. 자세한 내용은 기술 사양을 참조하십시오.
- 플러그가 전원 소켓에 올바르게 연결되어 있는지 확인하십시오.
- 과부하로 인한 과열 또는 화재 위험을 방지하기 위해 하나의 전원 어댑터에 여러 장비를 연결하지 마십시오.
- +은 직류에 사용하거나 직류를 생성하는 장비의 양극 터미널을 의미합니다. -은 직류에 사용하거나 직류를 생성하는 장비의 음극 터미널을 의미합니다.

## 설치

- 이 매뉴얼의 지침에 따라 장치를 설치하십시오.
- 부상을 방지하기 위해 설치 지침에 따라 이 장치를 설치 표면에 단단히 고정해야 합니다.
- 장비를 불안정한 장소에 놓아서는 절대 안 됩니다. 장비가 추락해 심각한 부상 또는 사망을 초래할 수 있습니다.
- 이 장비는 어린이가 있을 수 있는 장소에서 사용하기에 적합하지 않습니다.
- 이 장비는 해당하는 브래킷만 사용할 수 있습니다. 다른 브래킷(카트, 스탠드 또는 캐리어)을 사용하면 불안정해져 부상을 초래할 수 있습니다.

## 시스템 보안

- 귀하의 장비와 관련된 모든 비밀번호 및 기타 보안 설정을 구성하고 사용자 이름 및 비밀번호를 관리할 책임이 있음을 이해합니다.

## 유지 관리

- 제품이 제대로 작동하지 않을 경우 판매점 또는 가까운 서비스 센터에 문의하십시오. 당사는 무단 수리 또는 유지 관리로 인해 발생한 문제에 대해 일절 책임지지 않습니다.
- 필요한 경우 깨끗한 헝겊에 에탄올을 소량 묻혀 장비를 살살 닦아주십시오.
- 제조사가 지정하지 않은 방식으로 장비를 사용하는 경우 장비에 의해 제공되는 보호 성능이 손상될 수 있습니다.

## 사용 환경

- 작동 환경이 장비의 작동 요구 사항을 충족하도록 하십시오. 작동 온도는  $-20^{\circ}\text{C}\sim 50^{\circ}\text{C}$ ( $-4^{\circ}\text{F}\sim 122^{\circ}\text{F}$ ), 작동 습도는 5%~95% 사이여야 합니다.

- 렌즈를 태양 또는 기타 밝은 빛에 조준하지 마십시오.
- 장치를 전자파 방사가 높은 환경에 노출하지 마십시오.

#### 비상 버튼

- 장치를 배선, 설치 또는 분해하기 전에 전원이 차단되었는지 확인합니다.
- 장비에서 연기, 냄새 또는 소음이 발생하면 즉시 전원을 끄고 전원 케이블을 뽑은 다음 서비스 센터에 연락하십시오.

#### 시간 동기화하기

- 로컬 시간이 네트워크 시간과 동기화되지 않은 경우 처음 액세스할 때 장치 시간을 수동으로 설정합니다. 웹 브라우저/클라이언트 소프트웨어를 통해 장치를 방문하고 시간 설정 인터페이스로 이동합니다.

#### 제조사 주소

중국저장성310052항저우빈장구시싱하위지구단평가 399 빌딩 2, B동, 룸 313

Hangzhou Microimage Software Co., Ltd.

규정 준수 알림: 열화상 시리즈 제품은 미국, 유럽 연합, 영국 및/또는 기타 바세나르 협정국을 포함하되 이에 국한되지 않고 여러 국가 및 지역의 수출 통제 대상이 될 수 있습니다.

열화상 시리즈 제품을 국가 간 운송, 수출, 재수출하려는 경우 필요한 수출 라이선스 요구 사항에 대해 법률 또는 규정 준수 전문가 또는 해당 국가의 정부 기관에 문의하십시오.

## 1 概要

### 1.1 概要

サーモグラフィックネットワークボックスカメラ（以下「デバイス」）には、リモートインターネット監視、ビデオサーバー、リアルタイム温度測定機能が統合されています。

リモート送信、プレビュー、および設定は、ブラウザやクライアントを介して実現できます。デバイスは、複雑なケーブル配線なしで簡単にインストールできます。

食品生産、化学産業、PCBAテスト、研究などさまざまな分野で幅広く使用できます。

### 1.2 主要機能

デバイスに、次の機能が追加されました。

- マクロモード。
- サーマルイメージング。
- 複数のパレット。
- 画像の均一性を確保し、画像の詳細度と効果を向上させる較正機能。
- 超低ビットレートで高い圧縮率をサポートする強力なビデオ圧縮アルゴリズム。
- 高速かつ信頼性の高いデータ転送パフォーマンスを発揮するNAS。
- クライアント上で分析できる温度しきい値アラームおよびその他の温度測定機能。
- TCP/IP、HTTPおよびその他のプロトコル。
- リモートアップグレードとメンテナンス

### 1.3 部品とインターフェイス (1ページ - A)

図は参考のために掲載されています。実際のデバイスが優先されます。

番号	部品とインターフェイス	説明
1	サーマルレンズ	サーマル画像を表示し

		ます。
2	モードダイヤル	デバイスをマクロモードまたは通常モードに切り替えます。
3	フォーカスホイール	焦点距離を調整します。
4	1/4-20 UNCネジ穴	ネジを取り付けます。
5	位置決め穴	デバイスをアダプタの位置決めピンに合わせるのに役立ちます。
6	ネットワークインジケータ	<ul style="list-style-type: none"> <li>● フラッシュ：ネットワークデータを送信します。</li> <li>● 点灯：ネットワークは接続されていますが、データを送信してません。</li> </ul>
7	リセットボタン	このボタンを10秒間押してから離すと、デバイスが工場設定に復元されます。
8	アースネジ	電氣的な安全性を確保するため、アース端子に接続してください。
9	電源インジケータ	<ul style="list-style-type: none"> <li>● 緑色で点灯：動作中。</li> <li>● 赤色で点灯：システムが動作しています。</li> </ul>
10	端子ソケット	10ピンコネクタが含まれています。
11	ネットワークインタフェ	RJ-45、ネットワーク通

	ース	信
12	ネットワークケーブル	パッケージ内のネットワークケーブルを接続するときは、ケーブルのネジを締めて固定します。
13	端子台	端子台を端子ソケットに挿入し、次の表のピンの定義を参照して配線を接続します。

#### 1.4 ピンの定義 (2ページ - B)

番号	シグナル	説明
1	電源	DC 12V電源入力プラス端子とマイナス端子を正しく接続してください。 * デバイスを取り付けたら、パッケージ内のアダプタを使用してデバイスを充電できます。
2	GND	
3	RS-232_RX	デバイスのデバッグ用RS-232シリアル通信。
4	RS-232_TX	
5	ALARM_IN	1つのアラーム入力、2つのアラーム出力。
6	ALARM_OUTA	
7	ALARM_OUTB	
8	RS485-	RS-485シリアルポート通信インターフェイス。
9	RS485+	
10	CVBS	アナログ ビデオ出力。

## 2 ネットワークカメラのアクティベートとアクセス

www.hikmicrotech.com にアクセスしてHIKMICRO Studioをダウンロードしてください。操作の詳細についてはデバイスのユーザーマニュアルを参照してください。

### 3 設置

デバイスを取り付ける前に、このセクションの手順をお読みください。

**⚠️危険**：作業者とデバイスの安全を確保するため、デバイスの取り付け、プラグの差し込み、またはプラグの取り外しを行うときは、すべての電源を切ってください。

#### 3.1 前提条件

取り付けを行う前に、パッケージの中のデバイスの状態に問題がなく、すべての組立部品が含まれていることを確認し、必要な部品を準備してください。

- デバイスを取り付けるときは、環境温度が $-20\text{ }^{\circ}\text{C}\sim+50\text{ }^{\circ}\text{C}$ 、湿度レベルが結露なしで $\leq 90\% \pm 5\%$ であることを確認してください。
- デバイスは防水ではありません。デバイスを直射日光にさらしたり、屋外環境でデバイス単体を取り付けたりしないでください。
- デバイスとアクセサリが設置できる十分なスペースがあることを確認してください。デバイスの寸法 (2ページ - C) を参照してください。単位：mm [インチ]。
- 取り付け作業中は、このガイドの安全に関する指示に従ってください。

#### 3.2 デバイスの取り付け

このセクションでは、参考として三脚と顕微鏡スタンドの取り付け方法を紹介します。実際のシナリオに基づいて取り付け方法を選択します。

##### 2.2.1 三脚への取り付け (3ページ - D)

このデバイスには1/4-20 UNCネジ穴があり、1/4-20 UNCアダプタを介して三脚やその他の固定シナリオで使用することができます。

ステップ:

1. 適切なアダプタ (②) を用意し、1/4-20 UNCネジを使用して、デバイスの1/4-20 UNCネジ穴を通してアダプタをデバイス (①) に固定します。
2. 組み立てたデバイスとアダプタを取り付けプレートに置き、三脚のリリースノブ (③) を使用してデバイスを固定します。

### 3.2.2 顕微鏡スタンドへの取り付け (4、5ページ - E)

このデバイスには1/4-20 UNC (⑥) のネジ穴があり、マクロなシナリオで1/4-20 UNCアダプタを介して顕微鏡スタンド (③) に固定できます。

ステップ:

1. アダプタ (②) の位置決めピン (①) をデバイスの位置決め穴 (④) に合わせます。
2. 顕微鏡スタンドの固定ネジ (⑤) を締めて、デバイスをスタンドに固定します。
3. 被写体までの距離を調整し、デバイスと対象物の距離が4.3 cmであることを確認します。
4. モードダイヤルをマクロモード (⑦) に合わせて、フォーカスホイール (⑧) を回して2つの位置決めピン (⑨) を合わせます。

## 4 ユーザーマニュアル (4ページ - F)

## 5 テクニカルサポート

<https://www.hikmicrotech.com/en/contact-us.html>ポータルは、HIKMICROのお客様がHIKMICRO製品を最大限に活用するのに役立ちます。ポータルから、サポートチーム、ソフトウェアとドキュメント、サービスの連絡先などにアクセスできます。

## 規制順守と安全性に関する情報

本デバイスを使用する前に、本書のすべての情報および使用方法をよくお読みになり、将来の参照用に保管してください。

デバイスの詳細な情報および使用方法については、当社のウェブサイト (<https://www.hikmicrotech.com>) をご覧ください。また、デバイスに付属の他の文書 (ある場合) を参照するか、パッケー

ジのQRコード（ある場合）をスキャンして、詳細な情報を見ることもできます。

## 法的免責事項

適用法で認められる最大限の範囲で、本マニュアルおよび説明されている製品（ハードウェア、ソフトウェア、ファームウェアを含む）は、[現状のまま]および[すべての欠陥とエラーがある]状態で提供されます。HIKMICROでは、明示あるいは黙示を問わず、商品性、十分な品質、または特定目的に対する適合性などを一切保証しません。本製品は、お客様の自己責任においてご利用ください。HIKMICROは、本製品の利用に関連する事業利益の損失や事業妨害、データの損失、システムの障害、文書の損失に関する損害を含む特別、必然、偶発または間接的な損害に対して、それが契約に対する違反、不法行為(過失を含む)、製品の責任または製品の使用に関連するものであっても、たとえHIKMICROがそうした損害および損失について通知を受けていたとしても、一切の責任を負いません。

お客様は、インターネットにはその性質上固有のセキュリティリスクがあることを了解し、異常動作、プライバシーの流出、またはサイバー攻撃、ハッカー攻撃、ウィルス感染等のインターネットセキュリティリスクによる損害について、HIKMICROは一切責任を負いません。ただし、必要に応じてHIKMICROは適時技術的サポートを提供します。

お客様には、すべての適用法に従って本製品を利用し、さらにご自分の利用法が適用法を順守していることを確認する責任があります。特に、肖像権、知的財産権、またはデータ保護等のプライバシー権を非限定的に含むサードパーティの権利を侵害しない手段で本製品を利用する責任があります。大量破壊兵器の開発や生産、化学兵器・生物兵器の開発や生産、核爆発物や危険な核燃料サイクル、または人権侵害に資する活動を含む、禁じられている最終用途の目的で本製品を使用してはなりません。

本マニュアルと適用法における矛盾がある場合については、後者が優先されます。

## 規制情報

---

これらの条項は、対応するマークまたは情報が付された製品にのみ適用されます。

---



## EU 適合宣言



本製品および同梱の周辺機器（適用可能な場合）には「CE」マークが付いており、指令2014/30/EU（EMCD）および指令2011/65/EU（RoHS）の下に記載されている該当欧州統一規格に準拠しています。

注意：入力電圧が50～1000VACまたは75～1500VDC以内の製品は指令2014/35/EU（LVD）に準拠し、それ以外の製品は指令2001/95/EC（GPSD）に準拠しています。参照として、具体的な電源情報を確認してください。

警告：本製品はクラスA製品です。居住環境において、本製品は電波干渉を起こす可能性があり、ユーザーが十分な措置を講じる必要が発生することがあります。



2012/19/EU（WEEE 指令）：この記号が付いている製品は、欧州連合（EU）の地方自治体の未分別廃棄物として処分できません。適切にリサイクルするために、

本製品は同等の新しい装置を購入する際に、お近くの販売業者に返却いただくか、指定された収集場所で処分してください。詳細については以下を参照してください：

[www.recyclethis.info](http://www.recyclethis.info)



2006/66/ECおよびその修正案2013/56/EU（バッテリー指令）：本製品には、欧州連合（EU）の地方自治体の未分別廃棄物として処分できないバッテリーが含まれています。特殊バッテリー情報に関する製品資料をご覧ください。バッテリーにはこの記号が付いており、カドミウム（Cd）、鉛（Pb）、水銀（Hg）を示す文字も記載されています。適切にリサイクルするために、販売業者か、指定された収集場所にご返却ください。より詳細な情報については以下をご確認ください。

[www.recyclethis.info](http://www.recyclethis.info)

## 安全に関する指示

これらの指示は、ユーザーが製品を正しく使用し、危険や財産損失を回避できるように保証することを目的としています。ご使用前に、安全情報をよくお読みください。

## 法規と規則

本器は、各国の法規、電気安全規則、火災予防規則に準じて使用する必要があります。

## 輸送

● 輸送中は、デバイスを元のパッケージまたは類似したパッケージに梱包してください。

● 製品を落下させたり、物理的な衝撃を与えないでください。本器を電磁妨害から遠ざけてください。

### 電気安全性

● 注意: デバイスのヒューズを交換できる場合は、火災や感電のリスクを減らすために、必ず同じモデルのヒューズと交換してください。

● ヒューズがニュートラル線に接続され、2極/ニュートラルヒューズの構成になっている場合は、ヒューズの溶断後もデバイスの一部に引き続き電圧がかかっているため、保守作業中に感電が発生する恐れがあります。

● デバイスは、接地された主電源コンセントに接続する必要があります。

● ソケットアウトレットは、簡単にアクセスできるように、デバイスの近くに取り付けてください。

● デバイスの電源を切った後も引き続き電気が流れている可能性があるため、むき出しのコンポーネント（インレットの金属接点など）には手を触れず、5分以上待ってください。

● 電源コードに接続された端子からデバイスに電源を供給する場合は、主電源への接続に対して各端子の電圧と配線が正しいことを確認してください。

### バッテリー

#### 警告:

● 製品またはバッテリーを濡らしたり水気にさらしたりしないでください。

● 製品を直火やオープンなど極端に高温の環境にさらさないでください。爆発したり、可燃性の液体やガスが漏出したりする恐れがあります。

● 製品を加熱容器、洗濯機、または圧力容器に近づけないでください。

● 危険の発生を防ぐため、製品の取り付け環境は規定の温度および湿度範囲内で、直射日光が当たらず、障害物や可燃物で囲まれていない場所としてください。

● 製品を極端に低い空気圧下に置かないでください。爆発したり、可燃性の液体やガスが漏出したりする恐れがあります。

#### 保管:

● バッテリーは、光や水気から保護された倉庫または他の屋内環境に保管する必要があります。直射日光が当たる場所や雨などの水気にさらされる場所には、バッテリーを置かないでください。

● バッテリーの保管温度要件：10℃～30℃。

● バッテリーの保管相対湿度要件：60% RH以下。

操作および使用：

● 警告：デバイスにはバッテリーが内蔵されており、バッテリーを専門家の支援なしに分解、交換、または改造することは避けてください。爆発、火災、化学的腐食などにつながる恐れがあります。

● 警告：バッテリーを押しつぶしたり、穴を開けたり、叩いたり、機械的衝撃を加えたり、分解したりしないでください。バッテリーが損傷した場合、発熱、発火、または爆発につながる恐れがあります。

● 警告：バッテリーが損傷した場合は、アフターサービスに連絡して交換を依頼してください。コンポーネントを自分で修理または交換することは避けてください。

● 危険の発生を防ぐため、充電や放電は規定の温度範囲内で行い、充電中は遮蔽物や可燃物が周囲にないことを確認してください。

● バッテリーは一部充電された状態で出荷されます。

● バッテリーを点検する際には、保護メガネと手袋を着用する必要があります。

● バッテリーが液漏れし、漏れ出た液体が肌や目に触れた場合は、できるだけ早くきれいな水で洗い流し、直ちに医師の診察を受けてください。

● バッテリーが発火した場合は、泡消火器、粉末消火器、または防火砂を使用して消火してください。

● 付属または規定のバッテリー充電器を使用してください。不適切な充電方法や充電器を使用すると、バッテリーが損傷し、発火などの問題が発生する恐れがあります。

● 不具合のある充電器でバッテリーを充電しないでください。

● 規定の充電時間に達した後は充電を停止してください。バッテリーが発熱、爆発、または発火する恐れがあります。

廃電池の処分要件：

● バッテリーは毒性のある危険物です。使用を終えたバッテリーは、適用される国内の法律、規制、基準に従って処分してください。

## 火災防止

- ろうそくの火のような裸火をデバイスの上に置かないでください。
- デバイスに通気口がある場合、通気口が新聞紙、テーブルクロス、カーテンなどでふさがれ、通気が妨げられることのないようにしてください。ベッド、ソファ、ラグなど、通気口がふさがれるような表面にデバイスを置かないでください。

## 高温の表面



- 注意: 部品は高温になっています！手を触れないでください。部品に手を触れると火傷します。スイッチを切って30分経過してから、部品に手を触れてください。

## 電源

- 入力電圧IEC62368規格の限定電源 (12V DC) を満たす必要があります。詳細情報に関しては技術仕様を参照してください。
- プラグが適切に電源ソケットに接続されていることを確認してください。
- 1台の電源アダプターに2台以上の機器を接続してはなりません。過負荷によって過熱したり、火災発生の危険があります。
- +は、直流で使用されるか、または直流の電流を生成する機器の正極端子を識別します。-は、直流で使用されるか、または直流の電流を生成する機器の負極端子を識別します。

## インストール

- デバイスはこのマニュアルの指示に従って設置してください。
- けがを防ぐために、本デバイスは必ず取り付け手順に従って設置面にしっかりと固定してください。
- 機器は不安定な場所に置かないでください。機器が落下して、使用者が死亡したり怪我を負う恐れがあります。
- この機器は、子供が近づく可能性のある場所での使用には適していません。
- この機器は、対応するブラケットでのみ使用できます。他のもの(カート、スタンド、キャリア)などで使用すると、不安定になり、けがをする可能性があります。

## システムのセキュリティ

- お客様は、デバイスに関するすべてのパスワードやその他のセキュリティ設定を行い、ユーザー名とパスワードを保管する責任

があることをご理解ください。

## メンテナンス

- 製品が正しく動作しない場合、販売店または最寄りのサービスセンターに連絡してください。承認されていない修理や保守行為による問題について、当社はいかなる責任も負いません。
- 必要ならば、エタノールを少量含ませたきれいな布でデバイスを静かに拭きます。
- メーカーが指定していない方法で使用した場合、デバイスが提供する保護機能が損なわれる恐れがあります。

## 使用環境

- 実行環境がデバイスの要件を満たしていることを確認します。動作温度は-20 °C~50 °C、動作湿度は5%~95%である必要があります。
- レンズを太陽や極端に明るい場所に向けないでください。
- デバイスを強い電磁波にさらさないでください。

## 緊急

- デバイスを接続、取り付け、または分解する前には、電源が切断されていることを確認してください。
- デバイスから煙や異臭、異音が発生した場合、すぐに電源を切り、電源ケーブルを抜いて、サービスセンターにご連絡ください。

## 時間同期

- ローカル時刻がネットワークの時刻と同期されていない場合、初回のアクセス時に手動でデバイスの時刻を設定します。Webブラウザ/クライアントソフトウェアを使用してデバイスにアクセスし、時刻設定のインターフェイスへ移動します。

## メーカー住所

310052 中国浙江省杭州市滨江区西興地区段鳳通り399号2棟ユニットB 313号室

Hangzhou Microimage Software Co., Ltd.

法令順守通知：本サーマルシリーズ製品は、アメリカ合衆国、欧州連合、英国などワッセナー・アレンジメントの会員国を含むがそれだけに限定されない各国・各地域で、輸出管理の対象となる可能性があります。サーマルシリーズ製品を外国へ転送・輸出・再輸出する場合は、貴社の法務・コンプライアンス部門もしくは自国の政府機関に、輸出ライセンスの条件についてご確認ください。

## 1 概覽

### 1.1 簡述

測溫網路儲存盒攝影機（以下簡稱「裝置」）整合了遠端網際網路監視、影片伺服器及即時溫度測量功能。

可透過瀏覽器和用戶端進行遠端傳送、預覽及配置。本裝置可輕鬆安裝，無需架構纜線系統。

可廣泛用於食品生產、日用化工、PCBA 測試、研究等其他領域。

### 1.2 功能

裝置具有下列功能：

- 微距模式。
- 熱成像。
- 多個選擇區。
- 校準可確保影像的均勻性並改善影像的細節和效果。
- 強大的影片壓縮演算法，支援超低位元率的高壓縮比。
- 具有快速可靠之資料傳輸效能的 NAS。
- 溫度閾值警報和其他可以在用戶端上分析的溫度測量功能。
- TCP/IP、HTTP 和其他通訊協定。
- 遠端升級與維護。

### 1.3 組件與介面（第 1 頁 - A）

外觀僅供參考。以實際裝置為準。

編號	組件與介面	說明
1	熱像鏡頭	檢視熱影像。
2	模式轉盤	將裝置切換為微距模式或一般模式。
3	焦距環	調整鏡頭焦距。
4	1/4-20 UNC 螺紋孔	安裝螺絲。

5	定位孔	協助將裝置與轉接器上的定位銷對齊。
6	網路指示燈	<ul style="list-style-type: none"> <li>● 閃光燈：傳輸網路資料。</li> <li>● 恆亮：網路已連線且無資料傳輸。</li> </ul>
7	重設按鈕	按 10 秒鐘再放開按鈕，裝置將會還原到原廠設定。
8	接地螺絲	連到地線端，確保電氣安全。
9	電源指示燈	<ul style="list-style-type: none"> <li>● 恆亮綠燈：作業中。</li> <li>● 恆亮紅燈：系統作業中。</li> </ul>
10	終端插座	包含 10 針腳連接器。
11	網路介面	RJ-45, 網路通訊
12	網路線	插入包裝中的網路線時，擰緊纜線上的螺絲以將其固定。
13	接線盤	將接線盤終端插座，並參照下表中所述的針腳定義連接電線。

#### 1.4 針腳定義 (第 2 頁 - B)

編號	訊號	說明
1	電源	12V 直流電源輸入。請正確連接正極和負極端子。 *安裝裝置後，您可以使用包裝中的轉接器為裝置充電。
2	GND (接地)	
3	RS-232_RX	RS-232 序列通信，用於裝置偵錯。
4	RS-232_TX	
5	ALARM_IN	1 警報輸入；2 警報輸出。

6	ALARM_OUTA	
7	ALARM_OUTB	
8	RS485-	RS-485 序列埠通訊介面。
9	RS485+	
10	CVBS	視訊影片輸出。

## 2 啟用及存取網路攝影機

造訪 [www.hikmicrotech.com](http://www.hikmicrotech.com) 下載並安裝 HIKMICRO Studio。如需詳細操作，請參閱裝置使用手冊。

## 3 安裝

在安裝裝置之前，請先閱讀本節中的指示。

**⚠危險：**安裝、插拔裝置時應切斷所有電源，以確保人員和裝置的安全。

### 3.1 先決條件

請確保包裝中裝置的狀況良好，並且隨附配件完整，然後在安裝前備妥必要零件。

- 安裝裝置時，確保環境溫度在  $-20^{\circ}\text{C}\sim+50^{\circ}\text{C}$  之間，濕度  $\leq 90\%\pm 5\%$ ，無冷凝。
- 裝置不防水。不要將裝置暴露在陽光直射下，也不要將裝置單獨安裝在室外環境中。
- 確保有足以安裝裝置及其配件的空間。請參閱裝置的尺寸（第 2 頁 - C），單位：mm [英吋]。
- 安裝過程中，請嚴格遵守本指南中的「安全指示」。

### 3.2 安裝裝置

本節介紹三腳架和顯微鏡支架的安裝方法，供您參考。根據實際情況選取安裝方法。

#### 3.2.1 連接至三腳架（第 3 頁 - D）

此裝置具有 1/4-20 UNC 螺紋孔，可以透過 1/4-20 UNC 轉接器連接到三腳架和其他固定場景。

步驟：



1. 準備合適的轉接器 (②)，並使用 1/4-20 UNC 螺絲，以透過裝置上的 1/4-20 UNC 螺紋孔將轉接器固定到裝置 (①) 上。
2. 將組裝好的裝置和轉接器放在安裝板上，並使用三腳架上的釋放旋鈕 (③) 固定裝置。

### 3.2.2 連接至顯微鏡支架 (第 4 和 5 頁 - E)

此裝置具有 1/4-20 UNC (⑥) 螺紋孔，在微距場景中可以透過 1/4-20 UNC 轉接器固定在顯微鏡支架 (③) 上。

步驟：

1. 將配接器 (②) 上的定位銷 (①) 與裝置上的定位孔 (④) 對齊。
2. 鎖緊顯微鏡支架上的固定螺絲 (⑤)，以將裝置固定在支架上。
3. 調整物距，確保裝置與目標之間的距離為 4.3 cm。
4. 將模式轉盤轉至微距模式 (⑦)，然後轉動焦距環 (⑧) 以與兩個定位銷 (⑨) 對齊。

## 4 使用手冊 (第 4 頁 - F)

## 5 技術支援

<https://www.hikmicrotech.com/en/contact-us.html> 入口網站可協助 HIKMICRO 客戶最有效地利用 HIKMICRO 產品。入口網站使您可以接觸我們的支援團隊、軟體和文件、服務聯絡人等。

## 法規合規性與安全性資訊

使用裝置前請詳閱本文件的所有資訊和說明，並妥善保管本文件以便日後查閱。

欲了解更多有關裝置的資訊和說明，請前往

<https://www.hikmicrotech.com>。您也可以參考裝置隨附的其他文件 (如有)，或者掃描包裝上的 QR 碼 (如有) 取得更多資訊。

## 法律免責聲明

在適用法律允許的最大範圍內，本手冊及所描述產品，其硬體、軟體和韌體均以「現狀」提供，瑕疵錯誤概不負責。HIKMICRO 不作任何明示或暗示的保證，包括但不限於適售性、品質滿意度或適合某特定用途。您必須承擔使用本產品的風險。對於任何特殊、衍生、偶發或間接的損害，包括但不限於營業利潤損失、營業中斷，或者資料遺失、系統毀損或文件遺失，只要是基於違反合約、侵權 (包括過失)、產品責任或產品使用 (即使 HIKMICRO 已知悉可能會

有此類損害或損失)，HIKMICRO 概不負責。

您了解網際網路的性質具有固有的安全風險，對於因網路攻擊、駭客攻擊、病毒感染或其他網路安全風險而造成的異常運作、隱私洩漏或其他損害，HIKMICRO 概不承擔任何責任；但 HIKMICRO 將提供及時的技術支援。

您同意依照所有適用法律使用本產品，而且您有責任確保您的使用符合適用法律。特別是，您有責任在使用本產品時不侵犯第三方權利，包括但不限於出版權、知識財產權或資訊保護以及其他隱私權。您不得將本產品用於任何禁止的最終用途，包括開發或生產大規模毀滅性武器、開發或生產化學武器或生物武器，以及任何有關核爆炸或不安全核燃料循環的任何活動，或支持侵犯人權。

如果本手冊與適用法律產生任何衝突，以後者為準。

## 法規資訊

---

這些條款僅適用於帶有對應標記或資訊的產品。

---

### EU 合規性聲明



本產品及 (如果適用) 其附件都已標示「CE」，因此符合適用指令 2014/30/EU (EMCD) 和指令 2011/65/EU (RoHS) 所列統一歐洲標準。

注意事項：輸入電壓在 50 至 1000 VAC 或 75 至 1500 VDC 範圍內的產品符合指令 2014/35/EU (LVD)，且其餘產品符合指令 2001/95/EC (GPSD)。請查看具體的電源供應資訊以供參考。

警告：這是 A 類產品。在家庭環境中，本產品可能會造成無線電干擾，在這種情況下，使用者可能需要採取適當的措施。



2012/19/EU (WEEE 指令)：已標示此符號的產品在歐盟不得當成未分類的都市廢棄物處理。為了正確回收，請在購買同等的新設備時將本產品退回當地供應商，或將其棄置在指定的回收點。詳細資訊請參閱：

[www.recyclethis.info](http://www.recyclethis.info)



2006/66/EC 及其修訂 2013/56/EU (電池指令)：本產品內含一顆電池，在歐盟區不能當成未分類的都市廢棄物處理。有關特定的電池資訊，請參閱產品說明文件。已標示此符號的電池可能含有代表鎘 (Cd)、鉛 (Pb) 或汞 (Hg)

的字母。為正確回收，請將電池送回供應商或指定的回收點。詳細資訊請參閱 [www.recyclethis.info](http://www.recyclethis.info)。

### 安全說明

這些指示的目的在確保使用者正確使用本產品，避免造成危險或財產損失。使用前請先閱讀所有的安全性資訊。

## 法律和法規

應遵守當地法律、電氣安全法規和防火法規使用本裝置。

## 運輸

- 在運送裝置時，請將裝置放入原本的或類似的包裝中。
- 請勿使本產品掉落或遭受撞擊。請讓裝置遠離磁性干擾。

## 電氣安全

- 注意：如果裝置的保險絲可以更換，請僅使用相同型號的保險絲進行更換，以減少火災或觸電的風險。
- 如果保險絲連接到中性線並且發生雙極/中性熔斷，則在保險絲操作後的維修期間，裝置中保持通電的部分可能會造成危險。
- 裝置必須連接至已接地的主電源插座。
- 電源插座應安裝在裝置附近，而且伸手可及。
- 請勿觸摸裸露零件（例如進氣口的金屬接點），並等待至少 5 分鐘，因為裝置斷電後可能仍然有電。
- 如果裝置由連接到電源線的端子供電，請確保用於連接到主電源的端子的電壓和接線正確。

## 電池

### 警告：

- 請勿弄濕產品或電池或使產品或電池沾水。
- 請勿將產品置於火或加熱爐等極高溫度環境下，否則可能導致爆炸或造成易燃液體或氣體洩漏。
- 請勿將產品置於加熱容器、洗衣機或壓力容器中。
- 產品安裝環境應在規定的溫度和濕度範圍內，避免陽光直射，周圍不能有障礙物或易燃物質，否則可能發生危險。
- 請勿將產品置於極低空氣壓力下，否則可能導致爆炸或造成易燃液體或氣體洩漏。

### 儲存空間：

- 電池應存放在倉庫或其他避光、避水的室內環境。請勿將電池放置在陽光直射或可能遭受雨淋或水進入的地方。
- 電池儲存溫度要求：10 °C 至 30 °C。
- 電池儲存相對濕度要求：≤60% RH。

### 操作與使用：

- 警告：裝置包含內建電池，未經專業協助不得拆卸、更換或改裝電池。否則，會有爆炸、火災或化學腐蝕的危險。
- 警告：不得擠壓、刺穿、撞擊、機械振動或拆卸電池。電池受損

可能會導致發熱、火災或爆炸。

● 警告：若電池受損，請聯絡售後服務更換。請勿自行修理或更換零件。

● 請在規定的溫度範圍內充放電，充電時周圍不得有遮擋物或易燃物品，否則可能發生危險。

● 電池在運送時應已部分充電。

● 檢查電池時，應配戴防護眼鏡和手套。

● 如果電池洩漏且液體濺到皮膚或眼睛，請盡快用清水沖洗並立即就醫。

● 如果電池著火，請使用泡沫滅火器、乾粉滅火器或滅火砂來滅火。

● 請使用原廠或指定的電池充電器。不正確的充電方法和充電器可能會損壞電池並導致起火或其他問題。

● 請勿使用故障的充電器為電池充電。

● 達到規定的充電時間後請停止充電，否則電池可能會發熱、爆炸或起火。

廢電池處置要求：

● 電池具有毒性且有害。請依照適用的國家法律、法規和標準處理廢電池。

防火

● 不得將開放性火源（例如點燃的蠟燭）放置在裝置上。

● 對於有通風口的裝置，不應用報紙、桌布、窗簾等物品覆蓋通風口，阻礙通風口。切勿將裝置放置在床、沙發、地毯或其他類似表面上，進而堵塞出口。

熱表面



● 注意：熱零件！請勿觸摸。處理這些零件會燙傷手指。請在關閉電源後半小時再處理這些零件。

電源供應

● 輸入電壓應符合 IEC62368 標準的有限電源（12 VDC）規定。如需詳細資訊，請參閱技術規格。

● 確認已將插頭正確連接至電源插座。

● 請勿將多個裝置連接至相同電源變壓器以避免過熱，或因過載造成火災危險。

● 「+」代表裝置的正極，搭配使用或產生直流電。「-」代表裝置的負極，搭配使用或產生直流電。

安裝

- 按照本手冊中的說明安裝裝置。
- 為避免造成傷害，須按照安裝說明將本裝置穩妥地安裝於安裝表面上。
- 切勿將裝置置於不牢固的地方。裝置可能會因此掉落，造成嚴重的人員傷亡。
- 本裝置不適合在兒童可能出現的場所使用。
- 本裝置僅可使用指定的支架。與其他物品（推車、支架或運輸車）搭配使用，可能會導致不穩定而造成傷害。

#### 系統安全性

- 請瞭解您必須負責替裝置設定所有密碼和其他安全性設定，並記下您的使用者名稱和密碼。

#### 維護

- 如果產品無法正常運作，請聯絡您的經銷商或最近的服務中心。對於因未經授權的維修或保養而造成的問題，本公司概不承擔任何責任。
- 如有需要，請使用乾淨的布和少量酒精輕輕擦拭裝置。
- 如果以製造商未指定的方式使用設備，則可能會影響裝置所提供的保護。

#### 使用環境

- 請確定操作環境符合裝置的需求。工作溫度應為  $-20^{\circ}\text{C}$  至  $50^{\circ}\text{C}$  ( $-4^{\circ}\text{F}$  至  $122^{\circ}\text{F}$ )，且工作濕度應為 5% 至 95% 之間。
- 請勿將鏡頭瞄準陽光或任何其他明亮的光線。
- 請勿使裝置暴露於高電磁輻射中。

#### 緊急

- 在連接、安裝或拆卸裝置前，請確認已關閉電源。
- 如果裝置產生煙霧、異味或噪音，請立即關閉電源，拔除電源線，並聯絡維修中心。

#### 時間同步

- 若本機時間與網路時間不同步，則初次存取時需手動設定裝置時間。透過網頁瀏覽器/用戶端軟體存取裝置，並前往時間設定介面。

#### 製造地址

310052 中國浙江省杭州市濱江區西興街區丹風路 399 號 2 號樓  
B 單元 313 室

杭州微影軟件有限公司

合規性注意事項：熱像系列產品可能在不同國家或地區受到出口管制，包括但不限於美國、歐盟、英國和/或瓦森納協議的其他成員國。

如果您打算在不同國家之間轉讓、出口、再出口熱像系列產品，請洽詢您的專業法律或合規性專家或地方政府機關，以瞭解任何必要的出口許可要求。



**HIKMICRO**

See the World in a New Way

UD38330B